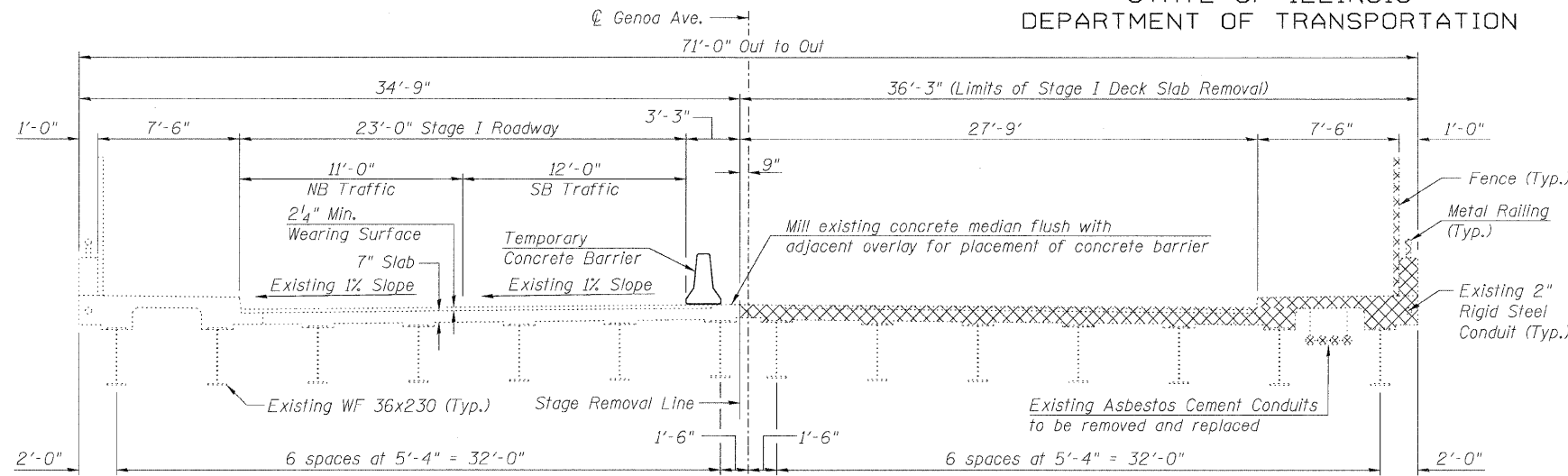
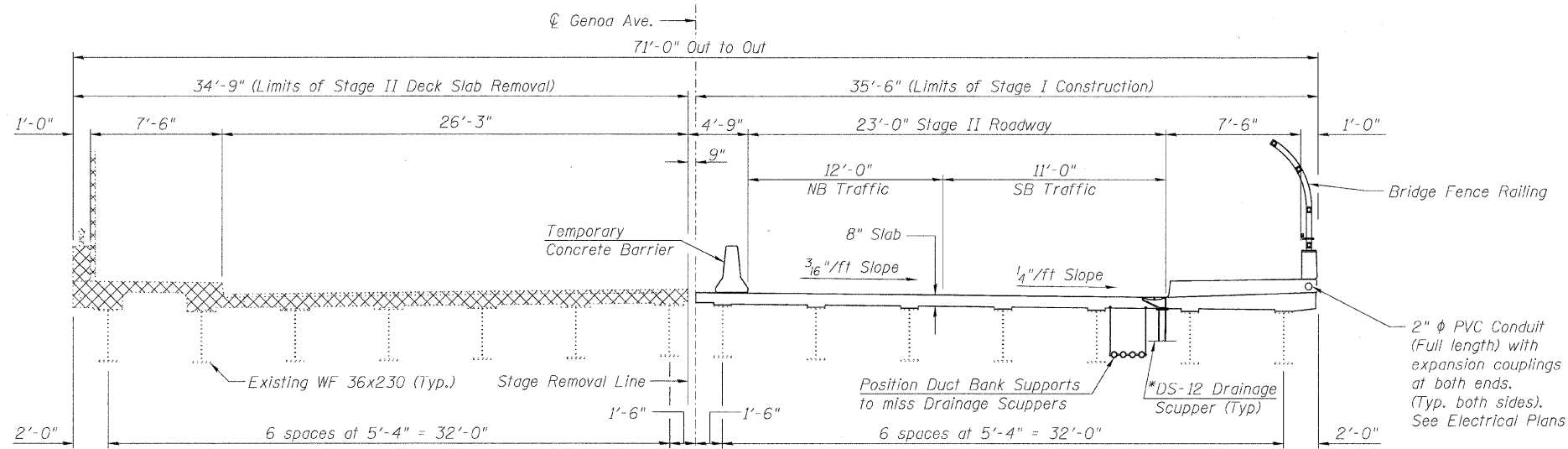
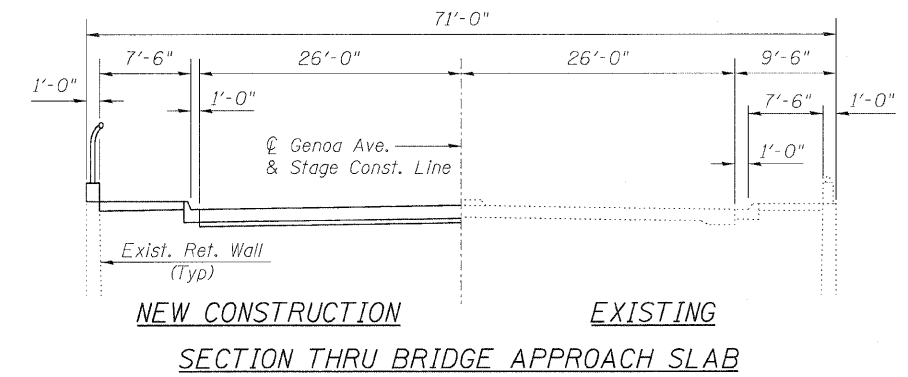


STATE OF ILLINOIS
DEPARTMENT OF TRANSPORTATION



STAGE I REMOVAL
(Looking South)

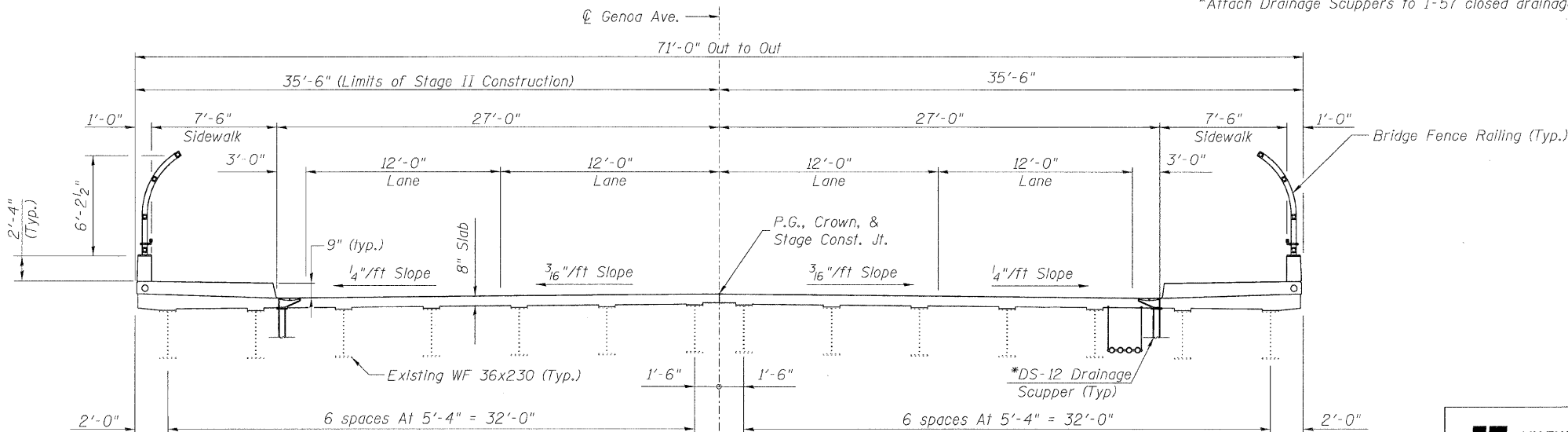


STAGE II REMOVAL & STAGE I CONSTRUCTION
(Looking South)

Notes:

- See Sheet 4 of 32 for Details for Temporary Concrete Barrier.
- See Roadway Plans for quantity of Temporary Concrete Barrier.
- Cost of removal of existing rigid steel conduit encased in the bridge deck vaulted sidewalk, deck fence, wearing surface and metal railing mounted on the bridge and wingwall parapets are included with Removal of Existing Concrete Deck.
- See Electrical Plans for removal of existing light poles.
- The existing City of Chicago conduits shall be temporarily supported in place during construction to the satisfaction of the Engineer and City of Chicago until such time that they may be removed. See Electrical Plans for pay items specifying the removal of asbestos cement conduit and replacement with rigid galvanized steel conduit.

*Attach Drainage Scuppers to I-57 closed drainage system



STAGE II CONSTRUCTION
(Looking South)

STAGE CONSTRUCTION DETAILS
STRUCTURE NO. 016-2030

<p>LIN ENGINEERING, LTD. Consulting Engineers Chatham, Illinois</p>	SHEET NO. 3	F.A.I. RTE.	SECTION	COUNTY	TOTAL SHEETS	SHEET NO.
	32 SHEETS	57	2222.3B	COOK	77	33
<small>Designed By: ESH Checked By: MTH Drawn By: ESH Date: 7/2009 File: 016-2030.dgn</small>			CONTRACT NO. 62119 FED. ROAD DIST. NO. ILLINOIS FED. AID PROJECT			