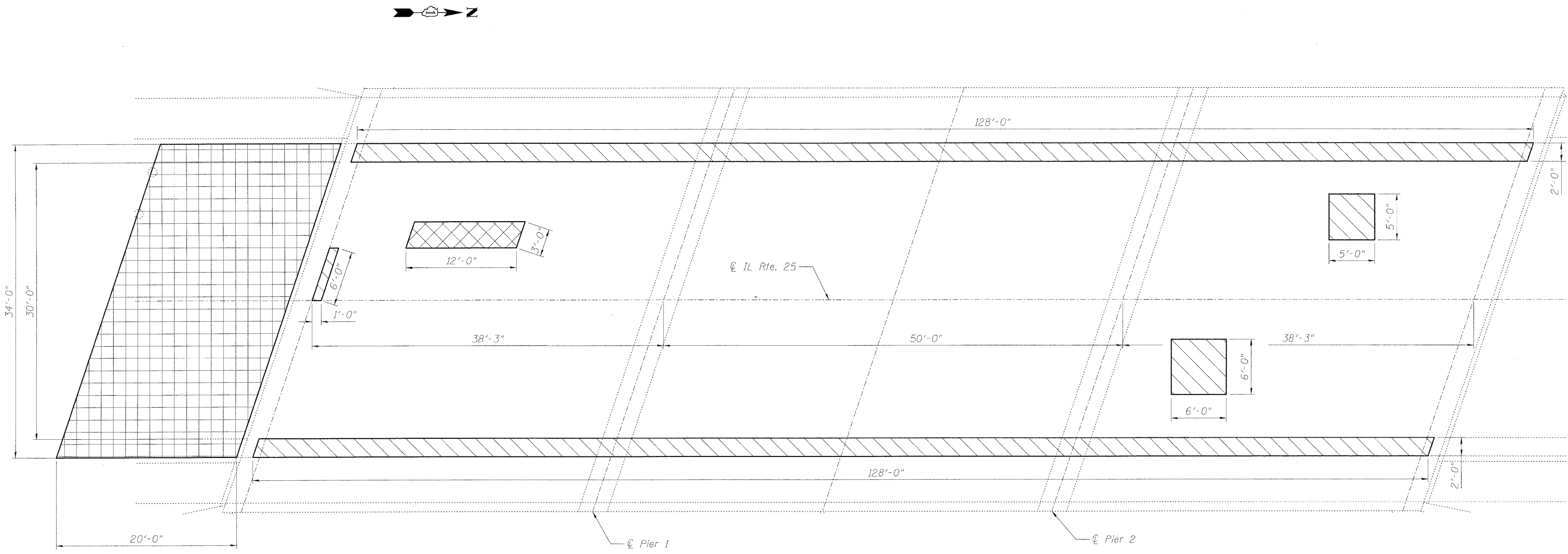


STATE OF ILLINOIS  
DEPARTMENT OF TRANSPORTATION

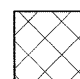
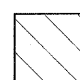

**NOTE:**

The limits and locations of repairs shown on the Deck Plan are taken from the most recent Survey performed by the District in October 2009.



PLAN

**LEGEND:**

-  Deck Slab Repair (Full-Depth, Type II)
-  Deck Slab Repair (Partial) (For information only)
-  Pavement Removal (Special)  
Bridge Approach Slab (Cost included with Concrete Superstructure and Reinforcement Bars, Epoxy Coated)

DESIGNED	BRT
CHECKED	BJM
DRAWN	JNH
CHECKED	BJM

**DECK REPAIR PLAN  
STRUCTURE NO. 045-0061**



**Wight & Company**  
2500 North Frontage Road . Darien . IL 60561  
630.969.7000 630.969.7979 fax  
Design Firm Registration 184-000451

SHEET NO. 4 13 SHEETS	F.A.U. RTE.	SECTION	COUNTY	TOTAL SHEETS	SHEET NO.
	2503	39 EXT-VB-1	KANE	27	12
			CONTRACT NO. 60J48		
FED. ROAD DIST. NO. - ILLINOIS FED. AID PROJECT					