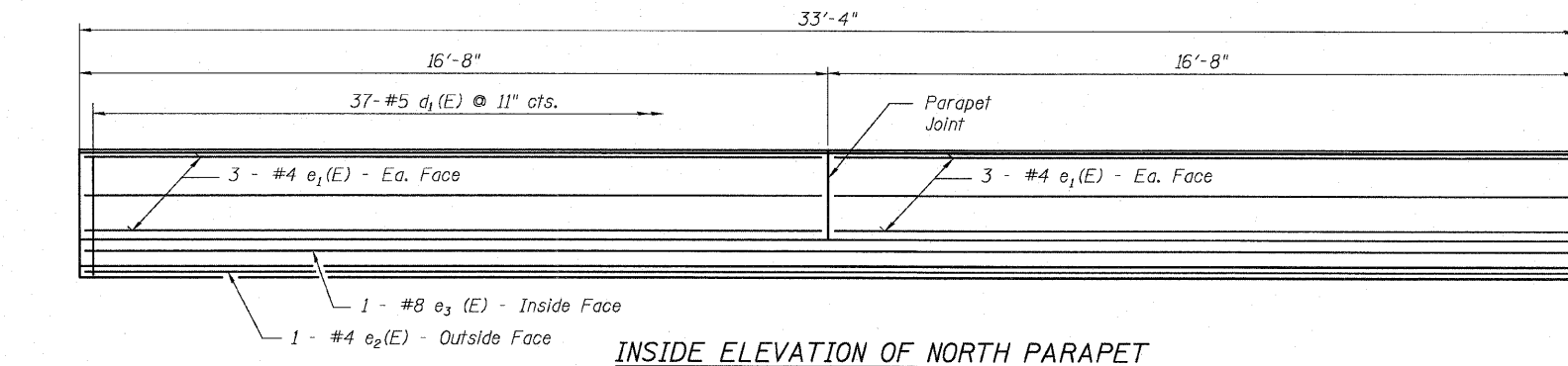
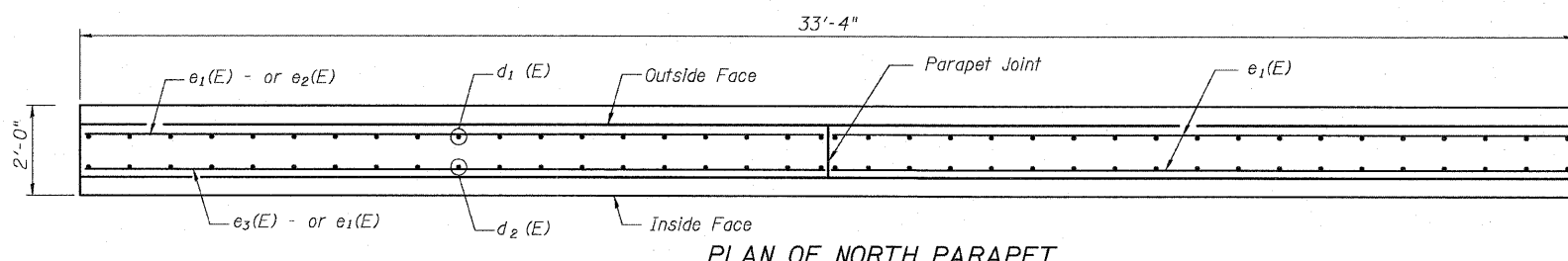


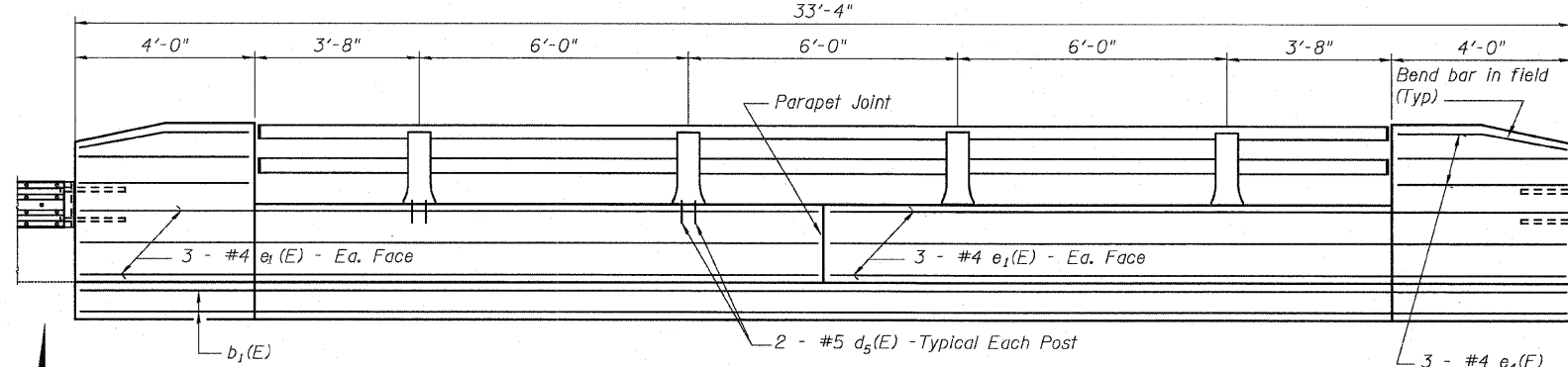
STATE OF ILLINOIS
DEPARTMENT OF TRANSPORTATION



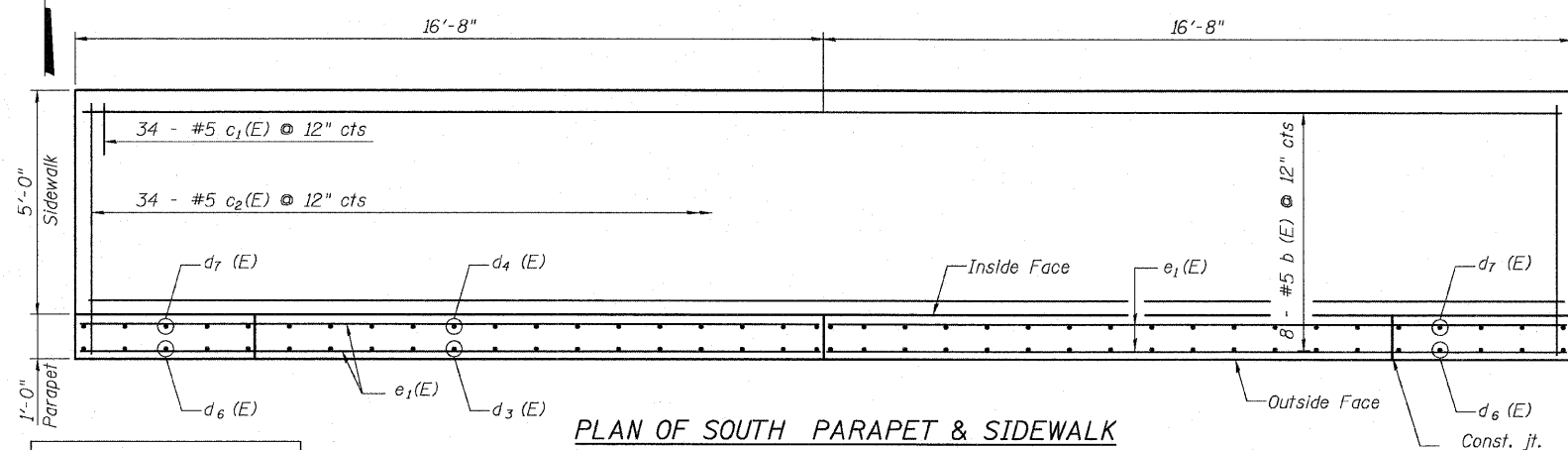
INSIDE ELEVATION OF NORTH PARAPET
Looking North



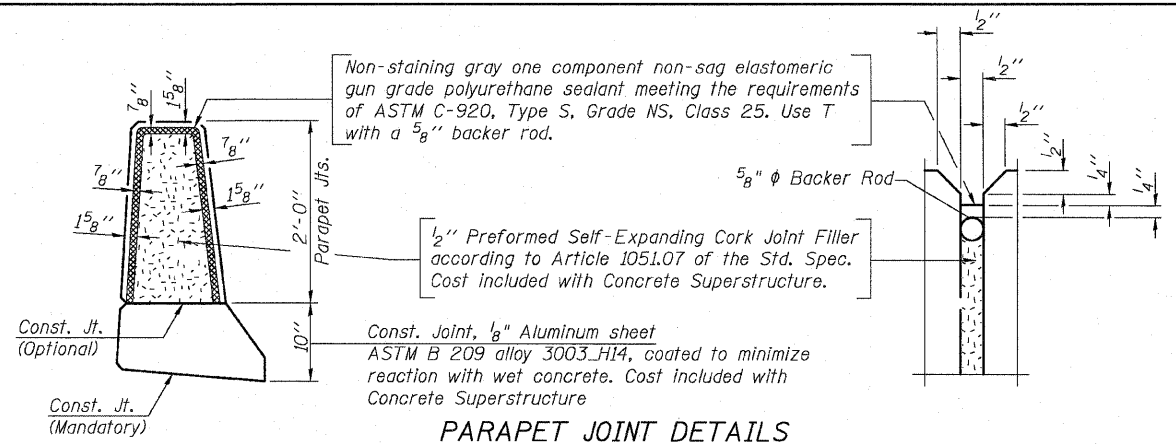
PLAN OF NORTH PARAPET



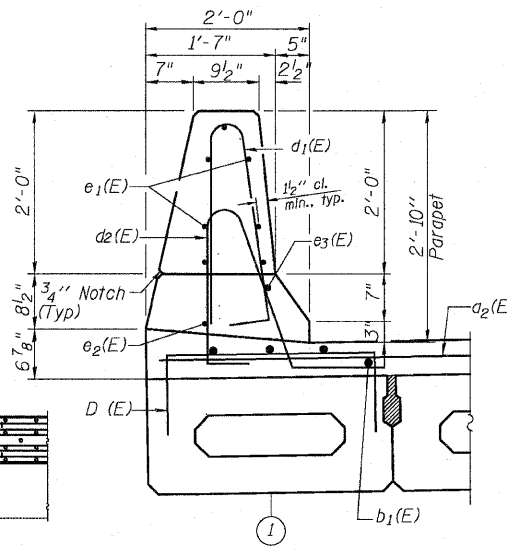
INSIDE ELEVATION OF SOUTH PARAPET
Looking South



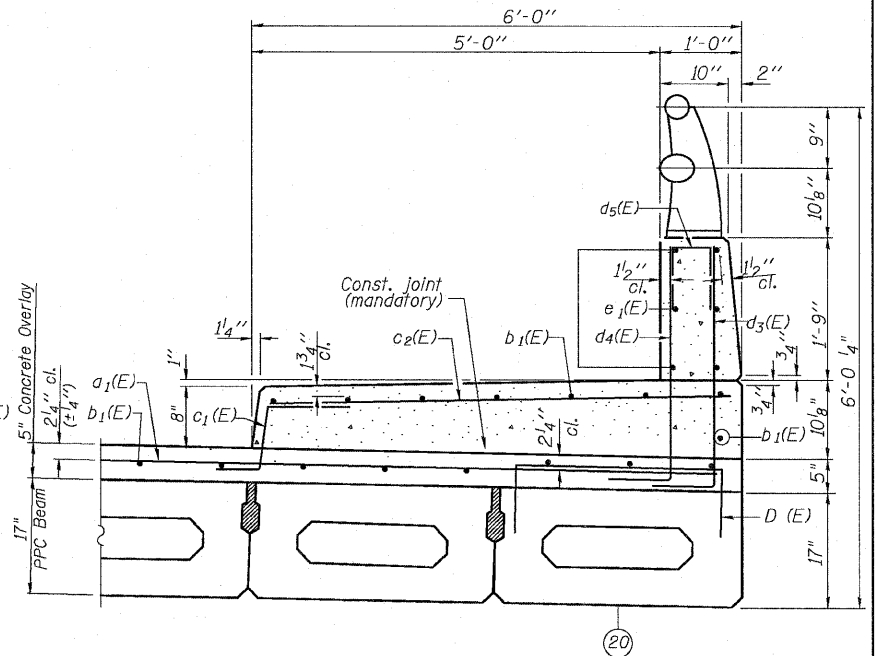
PLAN OF SOUTH PARAPET & SIDEWALK



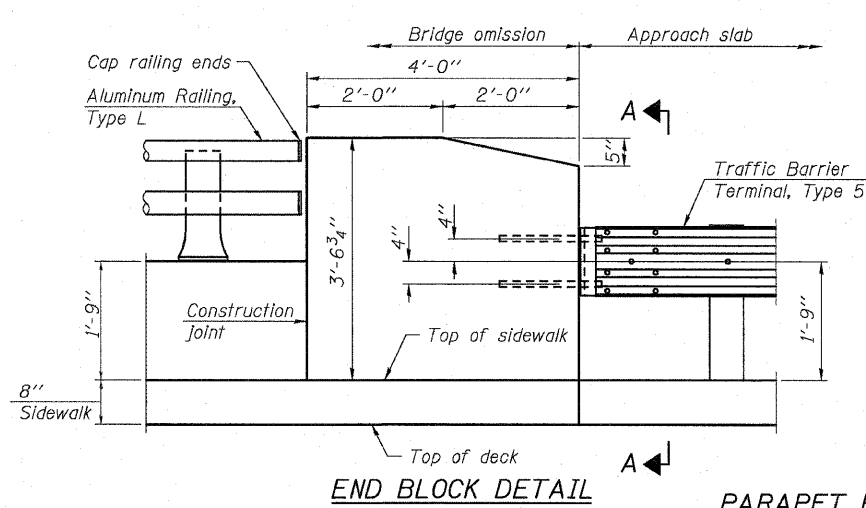
PARAPET JOINT DETAILS



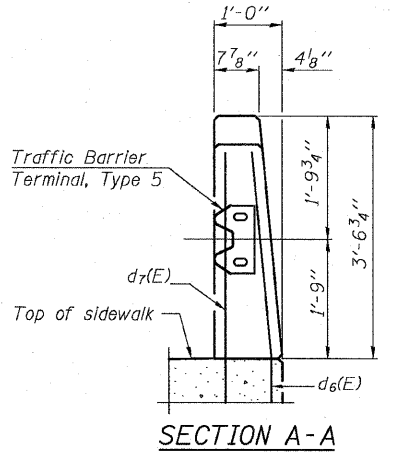
SECTION THRU NORTH PARAPET



SECTION THRU SOUTH PARAPET AND SIDEWALK



END BLOCK DETAIL



SECTION A-A

PARAPET PLAN ELEVATION AND DETAILS
STRUCTURE NO. 016-2503

| | |
|----------|---------|
| DESIGNED | JPM |
| CHECKED | TG |
| DRAWN | MPS |
| CHECKED | JPM, TG |



| | | | | | |
|-----------------------------|--------------------|-------------------|----------------|--------------------|-----------------|
| SHEET NO. S10 S18 SHEETS | F.A.P. RTE. 353 | SECTION 11-5-B | COUNTY COOK | TOTAL SHEETS 39 | SHEET NO. 22 |
| | CONTRACT NO. 60J44 | | | | |
| ILLINOIS FED. AID PROJECT | | | | | |