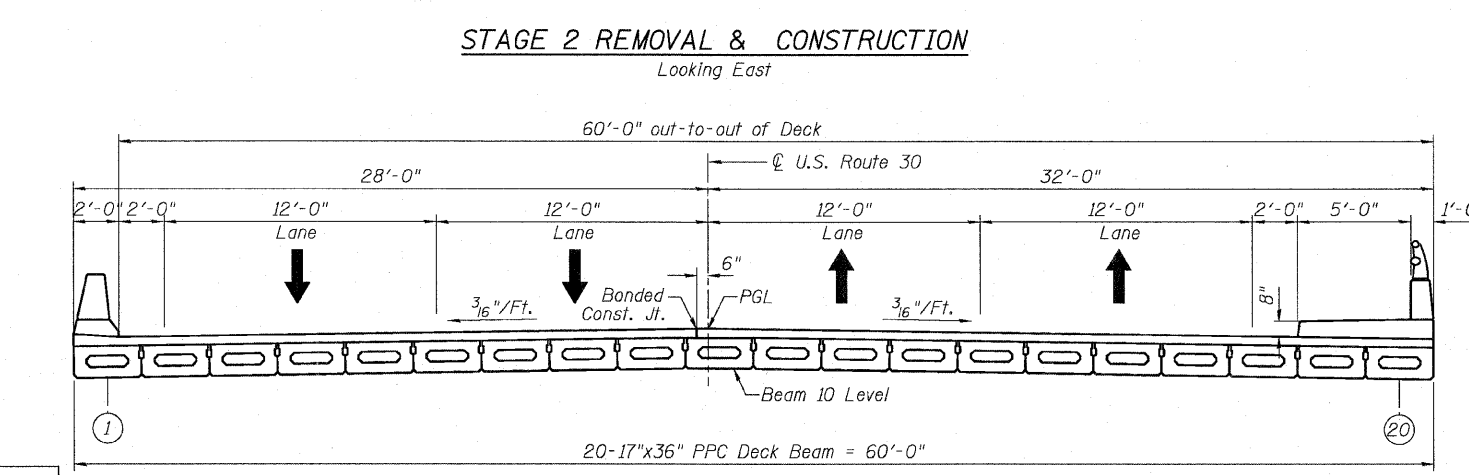
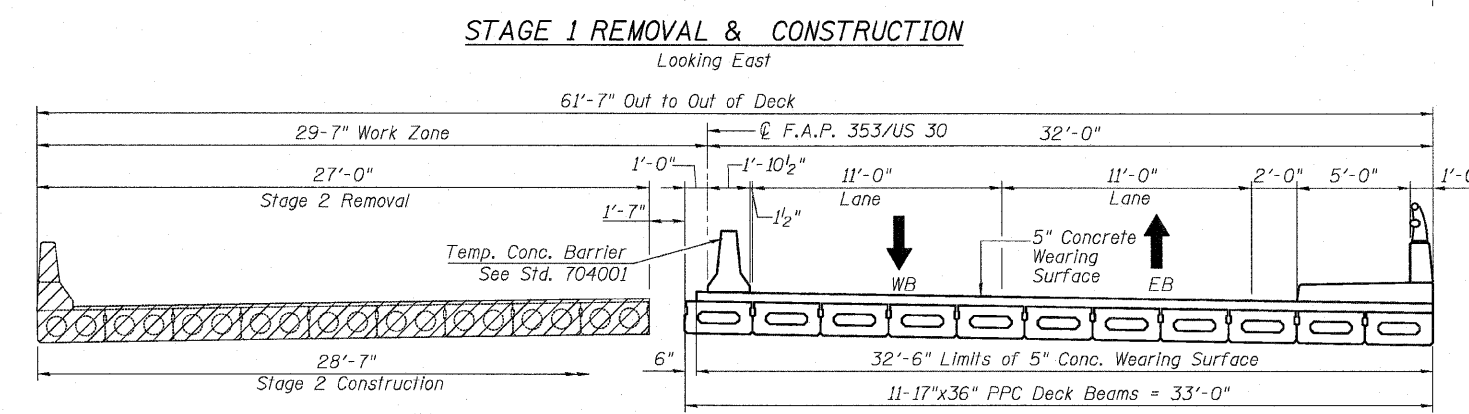
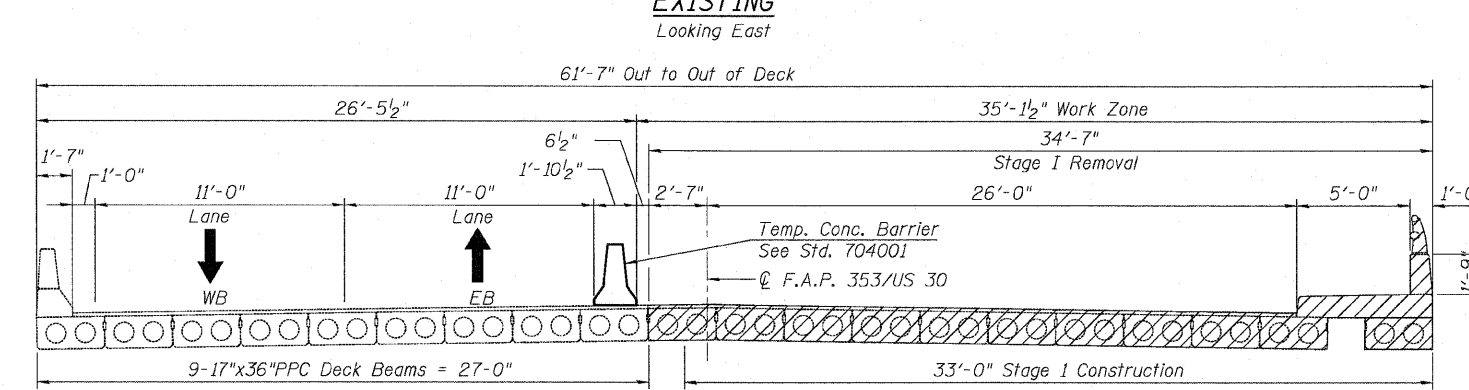
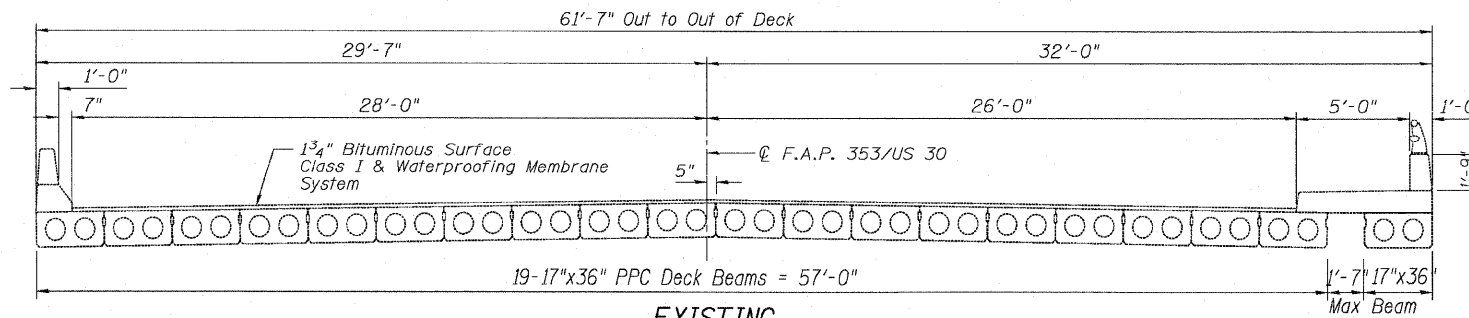


STATE OF ILLINOIS
DEPARTMENT OF TRANSPORTATION



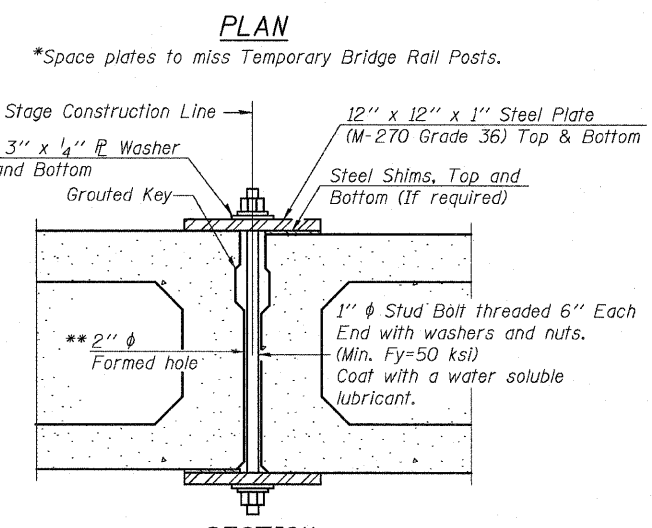
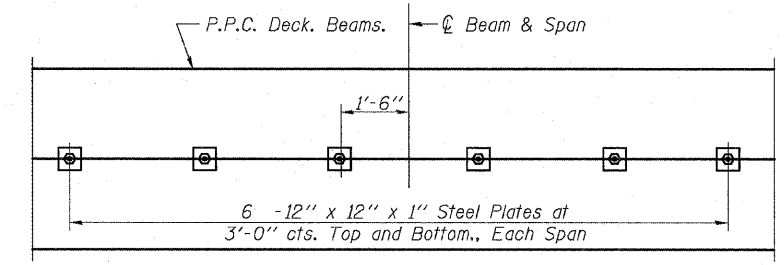
DESIGNED JPM
CHECKED TG
DRAWN MPS
CHECKED JPM, TG



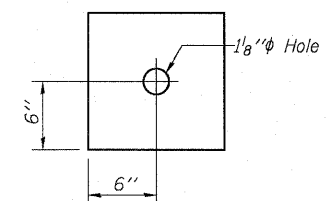
FINAL STAGE
Looking East

LEGEND:
[Hatched Box] Denotes Removal

- Notes:
1. See Roadway plans for quantity of Temporary Concrete Barriers.
 2. See Sheet S4 of S18 for details of temporary Concrete Barrier.
 3. Removal of existing bridge railings, sidewalks, parapets, HMA overlay and 17" PPC Deck Beams are included with "Removal of Existing Superstructure". See Special Provision.
 4. Provide temporary horizontal bracing after each beam has been removed. Such bracing should not interfere the construction of abutment modification. Temporary bracing shall be designed by the contractor and submitted to the Engineer for approval.



** Cast semicircular recesses in the sides of each beam adjacent to the stage construction line. These recesses should align to form a hole at the appropriate locations for the clamping device bolts.



Notes:
Cast included with Precast Prestressed Concrete Deck Beams. See Stage Construction Details for traffic lanes.

SHEAR KEY CLAMPING DETAILS AT STAGE CONST. JT.

**STAGE CONSTRUCTION DETAILS
STRUCTURE NO. 016-2503**

SHEET NO. S3	F.A.P. RTE. 353	SECTION 11-5-B	COUNTY COOK	TOTAL SHEETS 39	SHEET NO. 15
S18 SHEETS			CONTRACT NO. 60J44		
ILLINOIS FED. AID PROJECT					