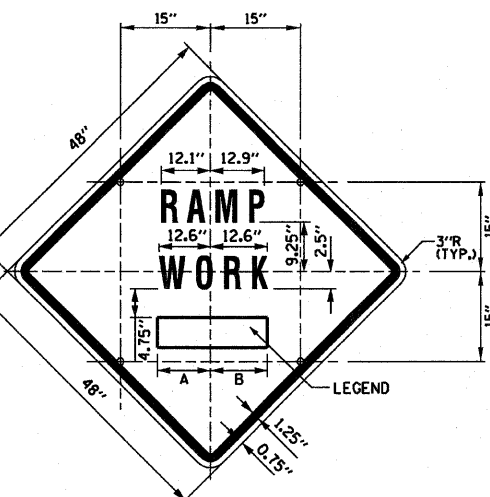


SIGN TS-1

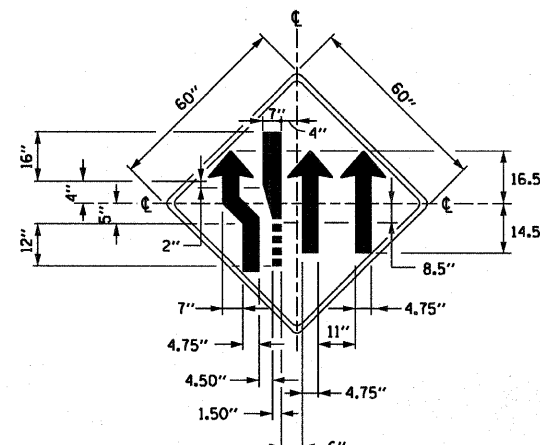
COLOR: BACKGROUND - FLUORESCENT ORANGE (*)
 BORDER AND SYMBOL - BLACK
 SIZE: 48"x48"
 MOUNTING HOLES: 7/16" DIA., 4 HOLES SPACED AS SHOWN
 NOTE: SIGN TS-1L IS SHOWN; REVERSE SYMBOL FOR SIGN TS-1R



SIGN TS-2

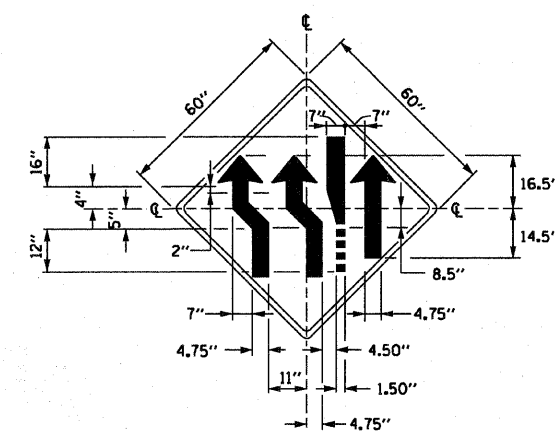
COLOR: BACKGROUND - FLUORESCENT ORANGE (*)
 BORDER AND SYMBOL - BLACK
 SIZE: 48"x48"
 LETTERING: 7" FEDERAL SERIES D
 MOUNTING HOLES: 7/16" DIA., 4 HOLES SPACED AS SHOWN

SIGN NO.	LEGEND	A	B
TS-2A	AHEAD	15.50"	15.50"
TS-2B	500 FT	14.25"	15.13"
TS-2C	1000 FT	14.88" L2	15.75" L2
TS-2D	1500 FT	14.88" L2	15.75" L2
TS-2E	1/2 MILE	15.75" L3	15.75" L3
TS-2F	1 MILE	13.06"	13.06"



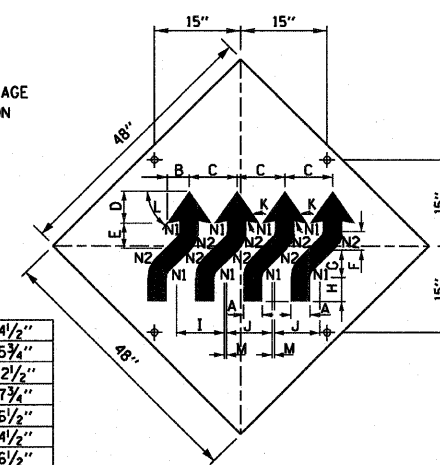
SIGN TS-1CL

COLOR: BACKGROUND - BLACK (NON - REFLECTORIZED)
 COLOR: BACKGROUND - YELLOW (REFLECTORIZED) PERMANENT USAGE
 COLOR: BACKGROUND - FLUORESCENT ORANGE (*) CONSTRUCTION USAGE



SIGN TS-1CR

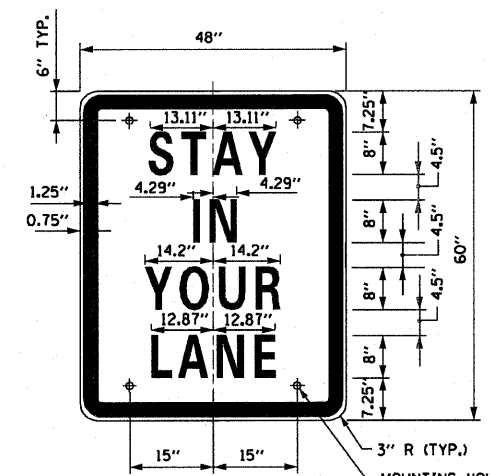
COLOR: BACKGROUND - BLACK (NON - REFLECTORIZED)
 COLOR: BACKGROUND - YELLOW (REFLECTORIZED) PERMANENT USAGE
 COLOR: BACKGROUND - FLUORESCENT ORANGE (*) CONSTRUCTION USAGE



SIGN WI-4dR

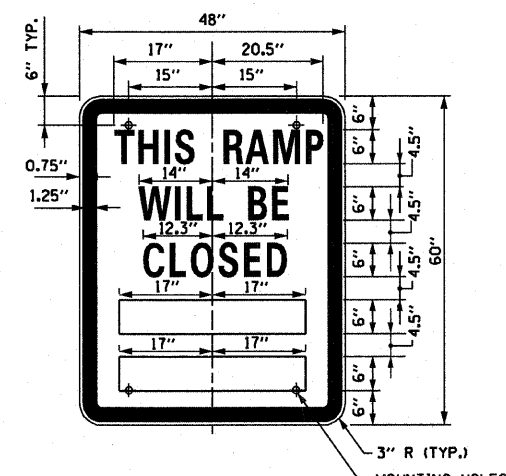
A	4 1/2"
B	5 3/4"
C	12 1/2"
D	7 3/4"
E	6 1/2"
F	4 1/2"
G	6 1/2"
H	6"
I	12 3/4"
J	12"
K	45"
L	55"
M	0 3/4"
N1	2"
N2	6 1/2"

COLOR: BACKGROUND, FLUORESCENT ORANGE (*)
 TYPE A REFLECTIVE SHEETING PER STANDARD SPECIFICATIONS (*)
 BORDER AND LETTERS - BLACK
 SIZE: 48"x48"
 MOUNTING HOLES: 7/16" DIA., 4 HOLES SPREAD SHOWN.



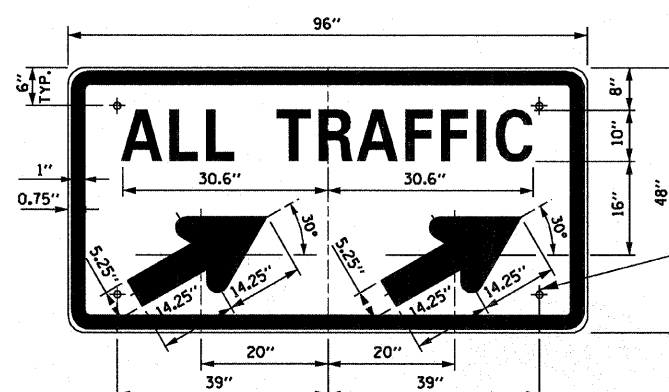
SIGN TS-3

COLOR: BACKGROUND - WHITE (REFLECTORIZED)(*)
 BORDER AND LETTERS - BLACK
 SIZE: 48"x60"
 LETTERING: LEGEND - 8" FEDERAL SERIES D
 MOUNTING HOLES: 7/16" DIA., 4 HOLES, SPACED AS SHOWN



SIGN TS-4

COLOR: BACKGROUND - WHITE (REFLECTORIZED)(*)
 BORDER AND LETTERS - BLACK
 SIZE: 48"x60"
 LETTERING: LEGEND - 6" FEDERAL SERIES C
 MOUNTING HOLES: 7/16" DIA., 4 HOLES, SPACED AS SHOWN



SIGN TS-5a & TS-5b

COLOR: BACKGROUND - WHITE (REFLECTORIZED)(*)
 BORDER AND LETTERS - BLACK
 ARROW - BLACK
 SIZE: 96"x48"
 LETTERING: 10" FEDERAL SERIES D
 MOUNTING HOLES: 7/16" DIA., 4 HOLES, SPACED AS SHOWN
 NOTE: SIGN TS-5a IS SHOWN, SUBSTITUTE LEGEND "A" FOR "B" FOR SIGN TS-5b

NOTES:

- ALL LETTERING IS DESIGNATED BY SIZE AND SERIES IN ACCORDANCE WITH THE LATEST EDITION OF "STANDARD ALPHABETS FOR HIGHWAY SIGNS AND PAVEMENT MARKINGS" AS PUBLISHED BY THE U.S. DEPARTMENT OF TRANSPORTATION. LETTERING SPACING SHALL BE IN ACCORDANCE WITH THIS GUIDE EXCEPT WHERE NOTED.
- SYMBOLS AND ARROWS SHALL CONFORM TO THE DETAILS SHOWN IN THE LATEST EDITION OF "STANDARD HIGHWAY SIGNS" AS PUBLISHED BY THE U.S. DEPARTMENT OF TRANSPORTATION.
- SEE THE CONTRACT REQUIREMENTS FOR ADDITIONAL NOTES AND SPECIFICATIONS.
 (*) FLUORESCENT ORANGE REFLECTIVE SHEETING PER THE STANDARD SPECIFICATIONS.
 (*) A - REFLECTIVE SHEETING PER THE STANDARD SPECIFICATIONS.
- DIMENSIONS INDICATED THUS L ARE BASED ON A REDUCTION IN STANDARD LETTERING SPACING AS SHOWN BELOW:
 L1 SPACING REDUCED BY 25%
 L2 SPACING REDUCED BY 40%
 L3 SPACING REDUCED BY 50%



DATE	REVISIONS
5-1-2009	DELETED FLASHING ARROW BOARDS

CONSTRUCTION SIGNS
 STANDARD E1-01
 411 OF 516

APPROVED *Paul Kovacs* CHIEF ENGINEER DATE 5-1-2009

RAMP CLOSURE ADVANCE INFORMATION SIGN
 THE VARIABLE MESSAGE WITH DATES FOR THE BOTTOM TWO LINES SHALL BE DETERMINED BY THE ENGINEER AND GIVEN TO THE CONTRACTOR BEFORE THE REQUIRED FIELD ERECTION DATE.