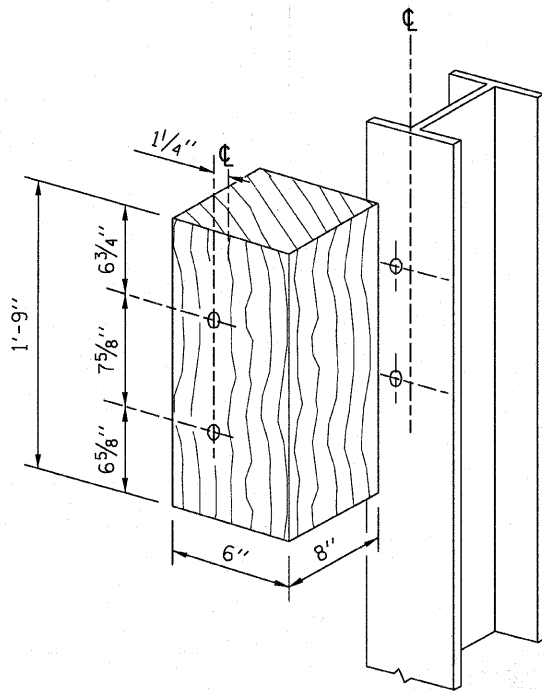
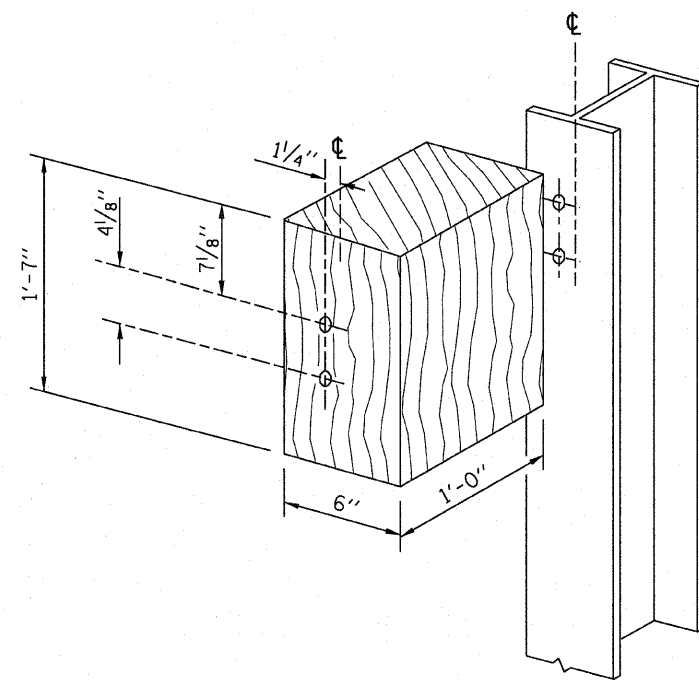


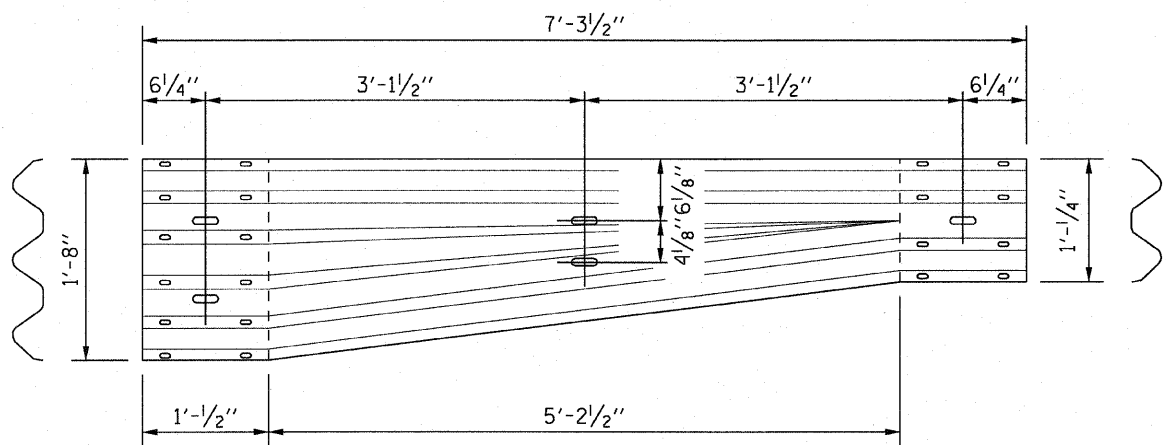
THRIE BEAM END SHOE DETAIL



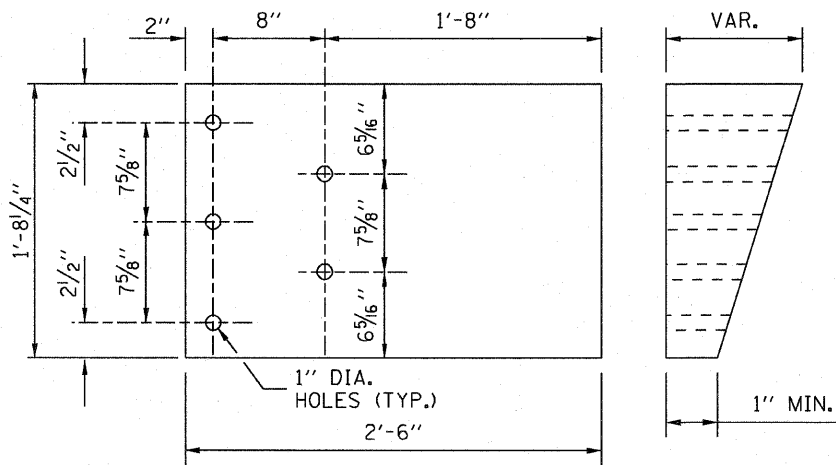
POSTS 1-11 WOOD BLOCKOUT DETAIL



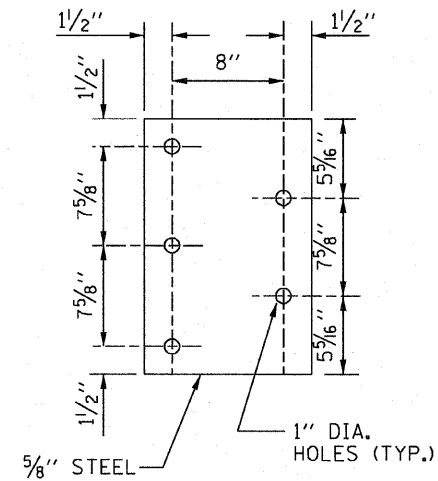
POST 12 WOOD BLOCKOUT DETAIL
(SEE STANDARD C1 FOR POST 13-17 BLOCKOUTS.)



TRANSITION SECTION
(10 GAUGE RAIL ELEMENT)



PARAPET WOOD BLOCK-OUT DETAIL



PARAPET STEEL BEARING PLATE DETAIL

(5 EACH INDIVIDUAL 5"x5"x5/8" STEEL PLATES WITH CENTERED 1" HOLES MAY BE SUBSTITUTED FOR THE PLATE SHOWN.)

APPROVED: *Paul Kovacs* CHIEF ENGINEER DATE 7-1-2009

NOTE:
SEE SHEET 1 OF THIS SERIES FOR NOTES.

Illinois Tollway
Open Roads for a Faster Future

TRAFFIC BARRIER
TERMINAL, TYPE T6

STANDARD C9-01

406 OF 516