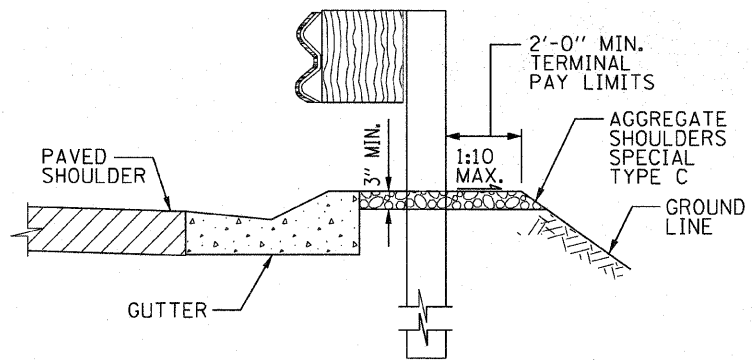


7'-6" 6'-0"

W6x9 OR W6x8.5 STEEL POSTS W6x9 OR W6x8.5 STEEL POSTS



WITH TYPE G-2 GUTTER

SECTION A-A

NOTE:

SEE SHEET 1 OF THIS SERIES FOR NOTES.

FOR PARAPET (SAFETY FACE)

WITH TYPE G-2 GUTTER

Illinois Tollway
Open Roads for a Faster Future

TRAFFIC BARRIER
TERMINAL, TYPE T6

STANDARD C9-01

APPROVED: *Paul Kovacs* DATE 7-1-2009
CHIEF ENGINEER