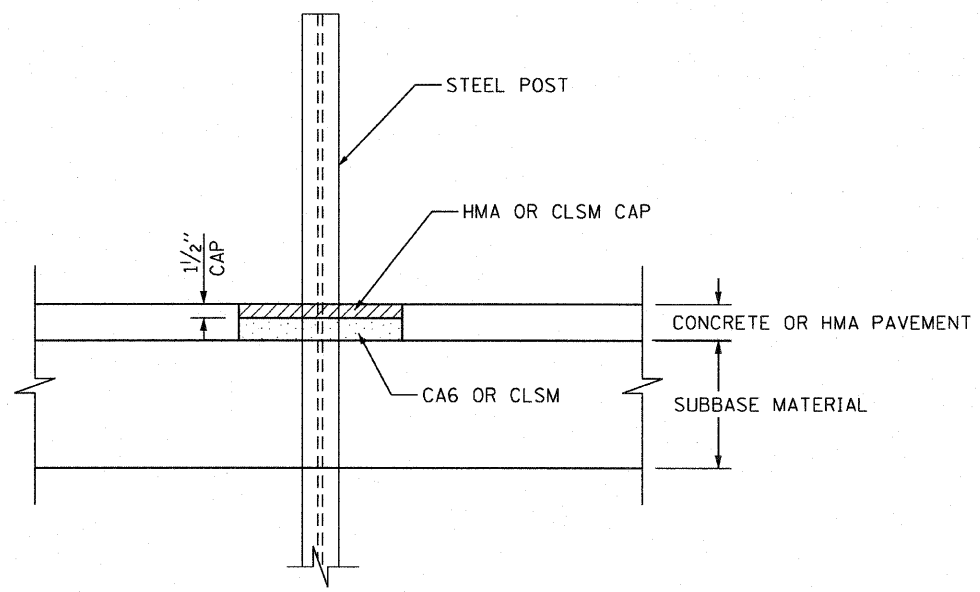


PLAN

**NOTES:**

- 1. CAP SHALL BE HMA WHEN PAVEMENT TYPE IS HMA.
- 2. CAP SHALL BE CONTROLLED LOW STRENGTH MATERIAL (CLSM) WHEN PAVEMENT TYPE IS CONCRETE.
- 3. CAP SHALL BE INSTALLED TO MATCH THE PAVEMENT CROSS SLOPE.



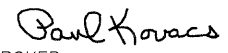
ELEVATION

LEAVE-OUTS



GALVANIZED STEEL PLATE  
BEAM GUARDRAIL

STANDARD C1-03

  
 APPROVED..... CHIEF ENGINEER..... DATE 7-1-2009