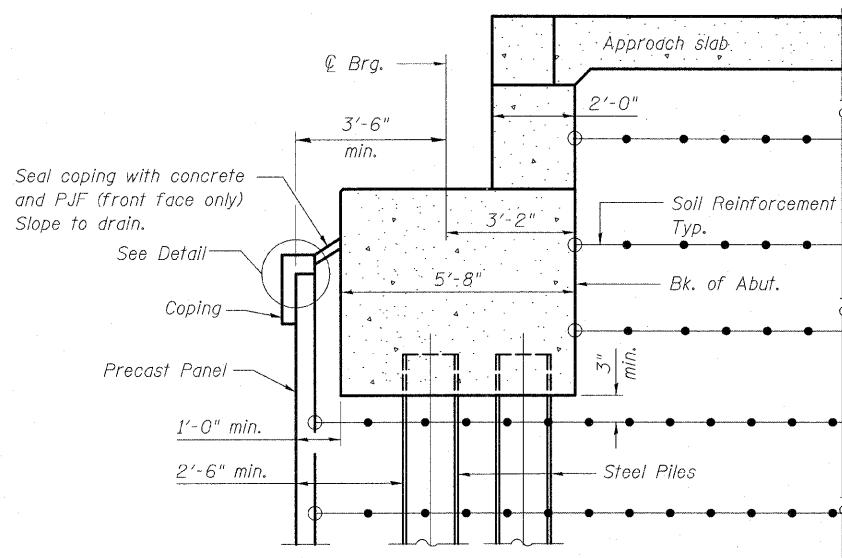
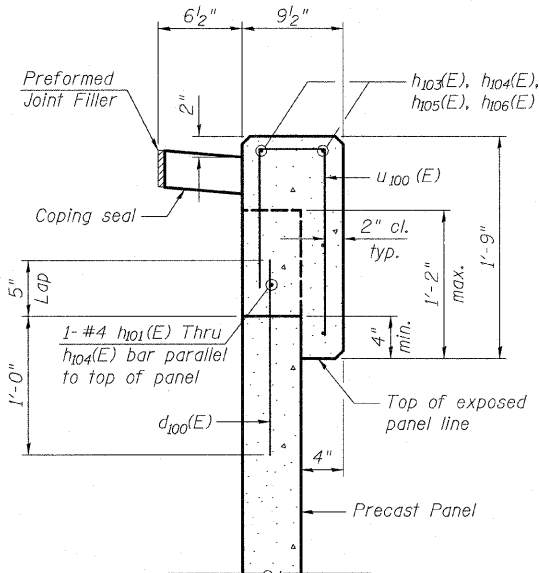


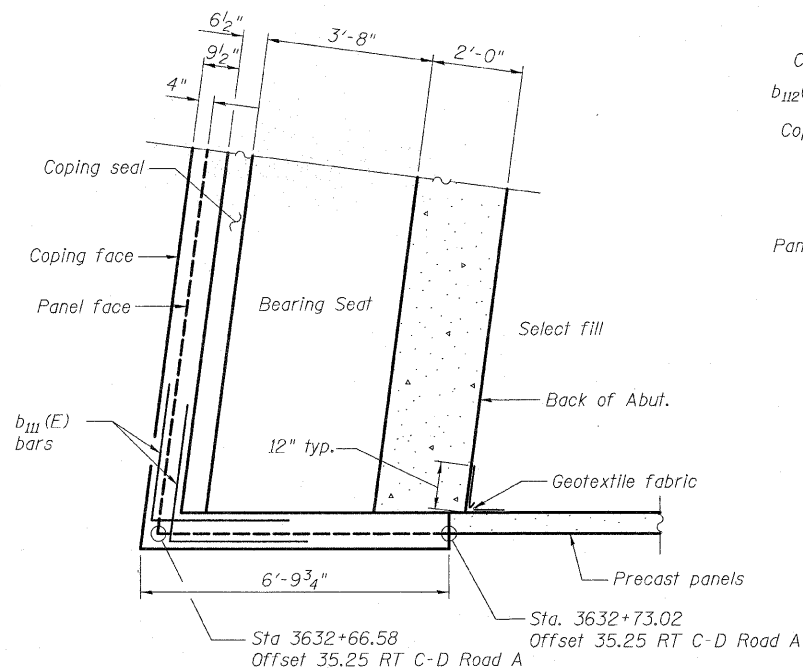
STATE OF ILLINOIS  
DEPARTMENT OF TRANSPORTATION



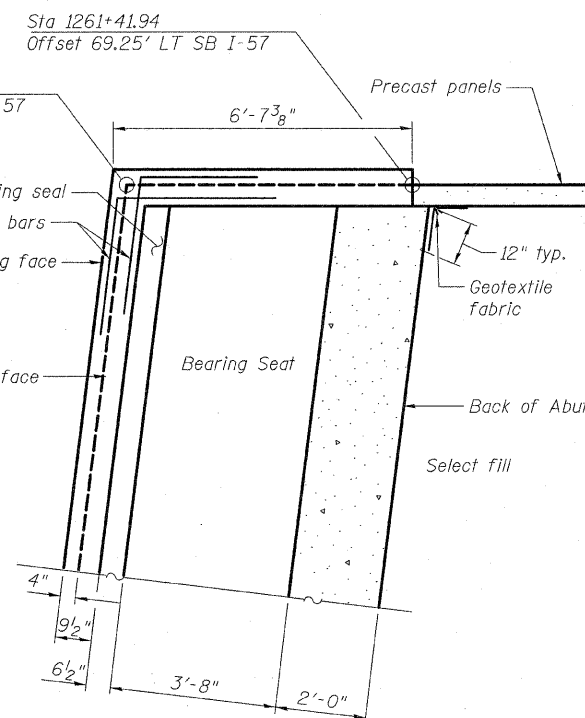
**SECTION THRU EAST ABUTMENT**  
(Horiz. dim. @ Rt. L's)



**DETAIL**



**PLAN AT ABUTMENT - SOUTH END**



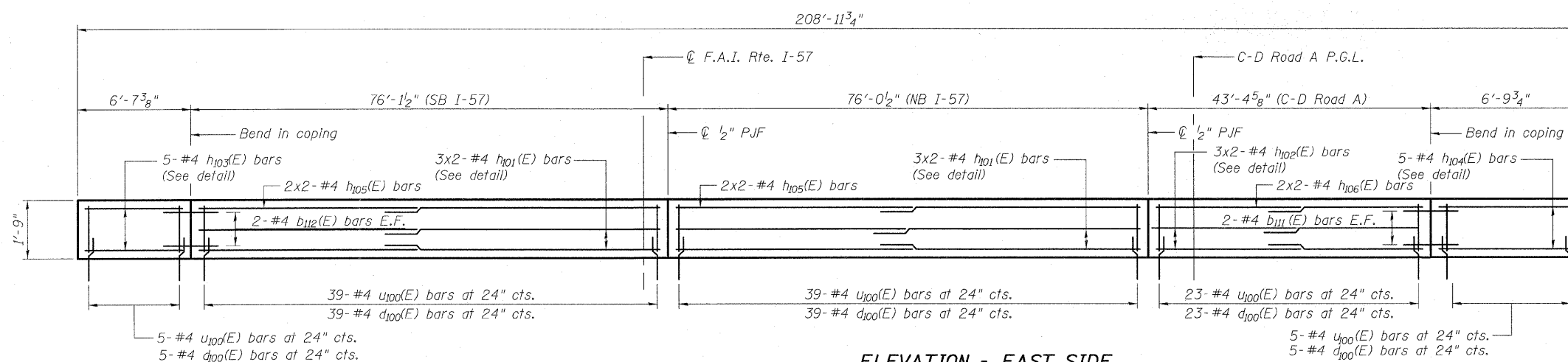
**PLAN AT ABUTMENT - NORTH END**

**BILL OF MATERIAL**

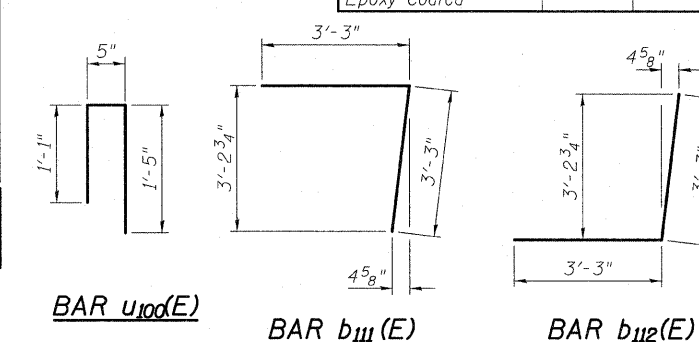
Bar	No.	Size	Length	Shape
b <sub>111</sub> (E)	4	#4	6'-6"	[L-shaped]
b <sub>112</sub> (E)	4	#4	6'-6"	[L-shaped]
d <sub>100</sub> (E)	111	#4	1'-5"	[Horizontal]
h <sub>101</sub> (E)	12	#4	39'-2"	[Horizontal]
h <sub>102</sub> (E)	6	#4	22'-10"	[Horizontal]
h <sub>103</sub> (E)	5	#4	6'-4"	[Horizontal]
h <sub>104</sub> (E)	5	#4	6'-6"	[Horizontal]
h <sub>105</sub> (E)	8	#4	39'-4"	[Horizontal]
h <sub>106</sub> (E)	4	#4	23'-0"	[Horizontal]
u <sub>100</sub> (E)	111	#4	2'-11"	[L-shaped]
Concrete Structures			Cu. Yd.	10.7
Reinforcement Bars, Epoxy Coated			Pound	1,080

**MINIMUM BAR LAPS**

Bar	Lap
#4	2'-7"
#4	2'-11" (Top)



**ELEVATION - EAST SIDE**  
(Looking East)



**EAST MECHANICALLY STABILIZED  
EARTH RETAINING WALL - DETAILS  
STRUCTURE NO. 016-1252**

<b>TYLIN INTERNATIONAL</b>	DESIGNED - DY	REVISIONS		SHEET NO. 54	F.A.I. RTE. 57	SECTION 1414.2B	COUNTY COOK	TOTAL SHEETS 516	SHEET NO. 367
	CHECKED - AD,LS	NAME	DATE						
	DRAWN - DY,EI								
	CHECKED - LS,SP,PDF								
DATE - 03/18/10				62 SHEETS	CONTRACT NO. 60J27				
					FED. ROAD DIST. NO. 1 ILLINOIS FED. AID PROJECT				

P:\60254(57-294)\STRUCTURAL\1-57 OVER RAMP.BX.dwg, submitted: 03-17-2010 10:16:25 AM, 10:57:26 AM