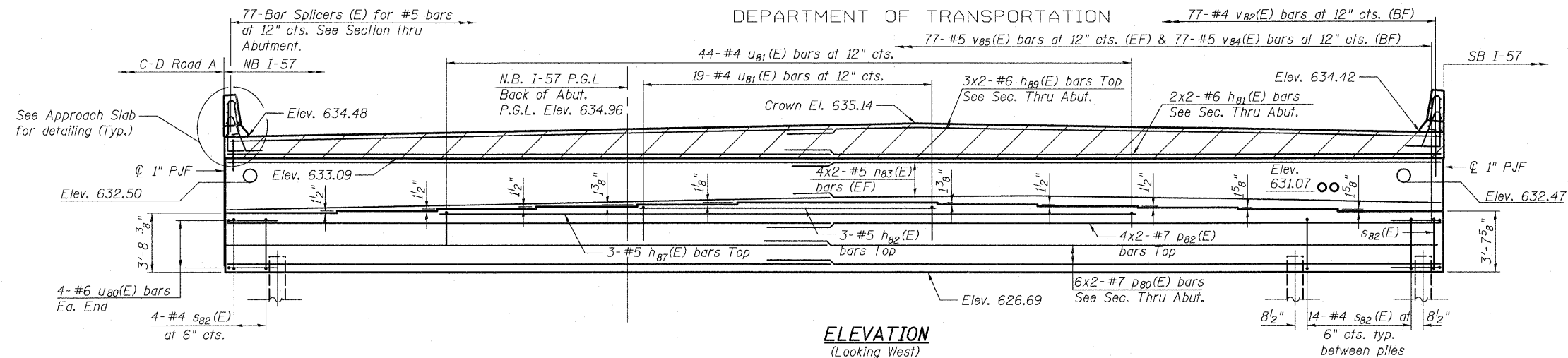
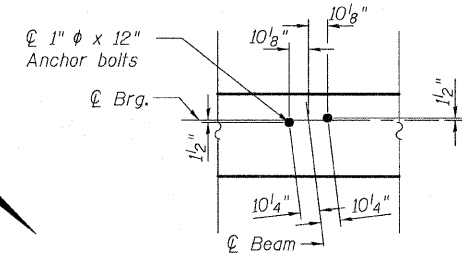
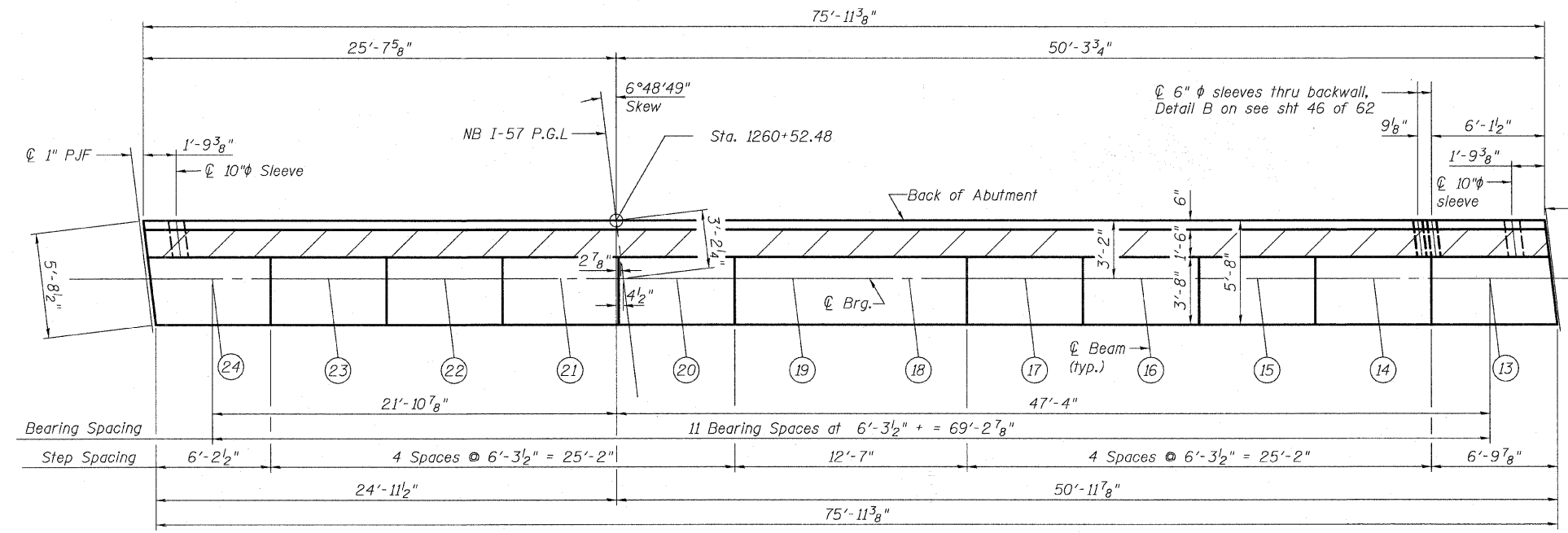


STATE OF ILLINOIS
DEPARTMENT OF TRANSPORTATION



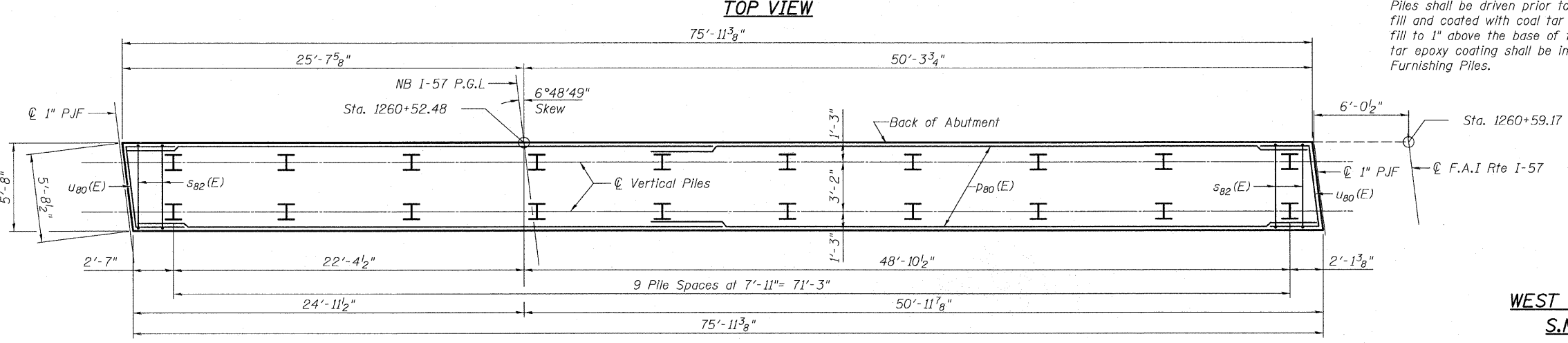
**BRIDGE SEAT
ELEVATIONS**

Beam	Seat Elevation
13	630.33
14	630.47
15	630.61
16	630.74
17	630.86
18	630.97
19	630.97
20	630.88
21	630.77
22	630.65
23	630.52
24	630.39



**ANCHOR BOLT
LAYOUT**

NOTES:
See Sheet 46 of 62 for abutment section, pile data and Bill of Material.
Space reinforcement in cap to miss anchor bolts.
Pour steps monolithically with cap.
Hatched area to be poured after superstructure forms have been removed. Quantity of concrete included with Concrete Superstructure.
Bars indicated thus 20 x 3- #7 etc. indicates 20 lines of bars with 3 lengths per line.
All edges shall have standard 3/4\"/>



**MINIMUM BAR
LAPS**

Bar	Lap	Notes
#4	2'-7"	
#5	3'-3"	
#6	3'-10"	
#6	4'-5" (Top)	for h ₈₉ (E)
#7	5'-2"	
#7	5'-10" (Top)	for p ₈₂ (E)

**WEST ABUTMENT - 2
S.N. 016-1252**

TYLIN INTERNATIONAL	DESIGNED - DY	REVISIONS		SHEET NO. 44	F.A.I RTE. 57	SECTION 1414.2B	COUNTY COOK	TOTAL SHEETS 516	SHEET NO. 357
	CHECKED - AD,LS	NAME	DATE						
	DRAWN - DY,EI								
	CHECKED - LS,SP,PDF								
	DATE - 03/18/10								
					62 SHEETS				
					FED. ROAD DIST. NO. 1 ILLINOIS FED. AID PROJECT				

P:\602540157-294\STRUCTURAL\1-57-OVER RAMP BY final submittal_03-17-2010\final submittal_03172010\161252-60127-044-N.ABUT_NB.dgn 3/18/2010 9:54:43 AM