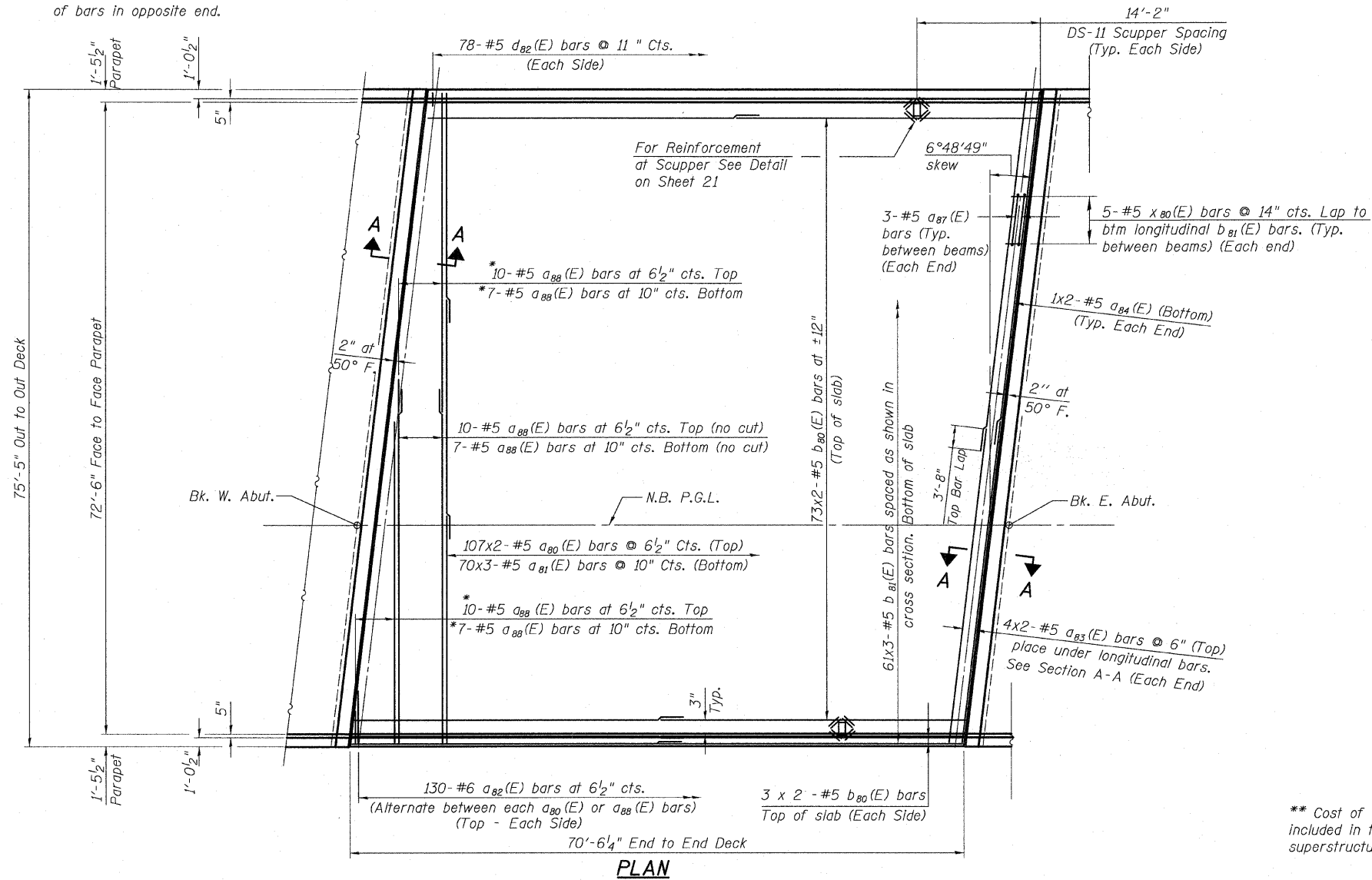


STATE OF ILLINOIS  
DEPARTMENT OF TRANSPORTATION

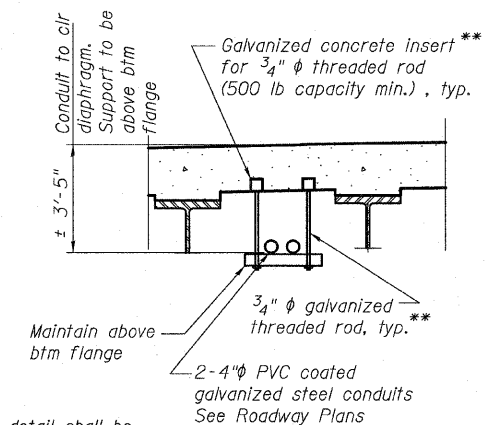
\*Order  $a_{88}(E)$  bars full length.  
Cut to fit skew and use remainder  
of bars in opposite end.



MINIMUM BAR LAPS

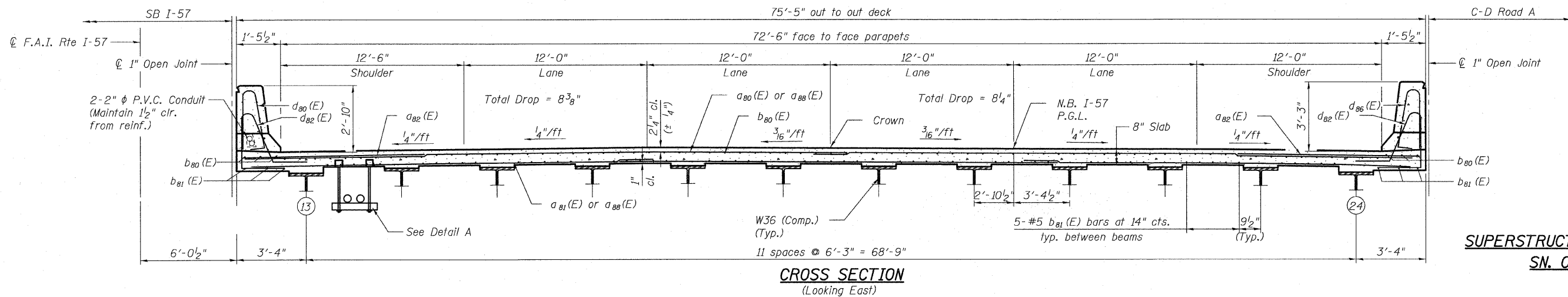
Bar	Lap
#5	3'-3"
#5	3'-8" (Top)

Notes:  
For notes see Sheet 17 of 62.



\*\* Cost of support detail shall be included in the cost of concrete superstructure.

DETAIL A  
(Not to Scale)



CROSS SECTION  
(Looking East)

SUPERSTRUCTURE - NB I-57  
SN. 016-1252

TYLIN INTERNATIONAL

DESIGNED	DY	REVISIONS	
CHECKED	AD,LS	NAME	DATE
DRAWN	DY,EI		
CHECKED	LS,SP,PDF		
DATE	03/18/10		

SHEET NO. 18  
62 SHEETS

F.A.I. RTE.	SECTION	COUNTY	TOTAL SHEETS	SHEET NO.
57	1414.2B	COOK	516	331
CONTRACT NO. 60J27				
FED. ROAD DIST. NO. 1 ILLINOIS FED. AID PROJECT				