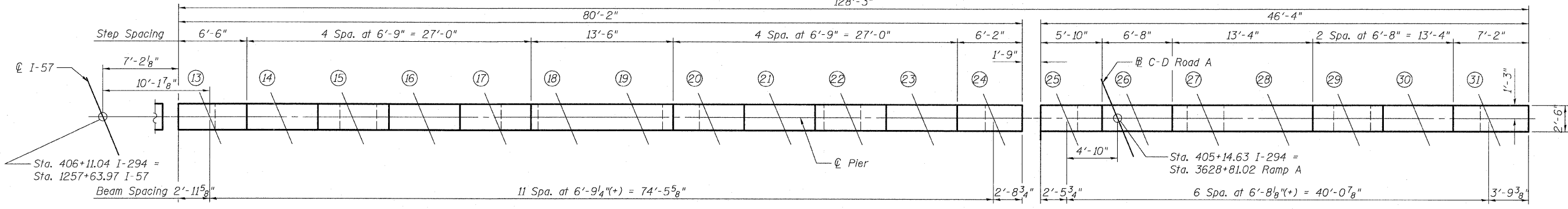
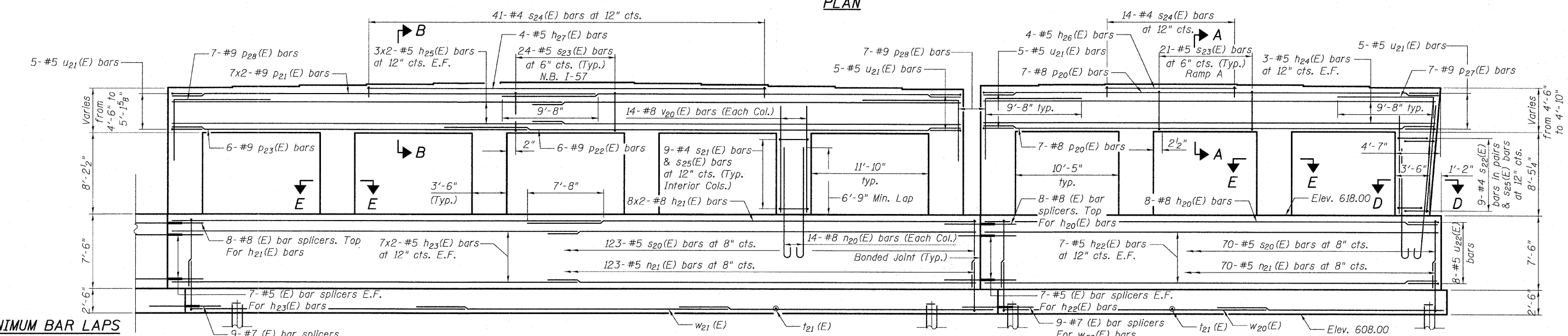


STATE OF ILLINOIS
DEPARTMENT OF TRANSPORTATION
128'-3"



PLAN

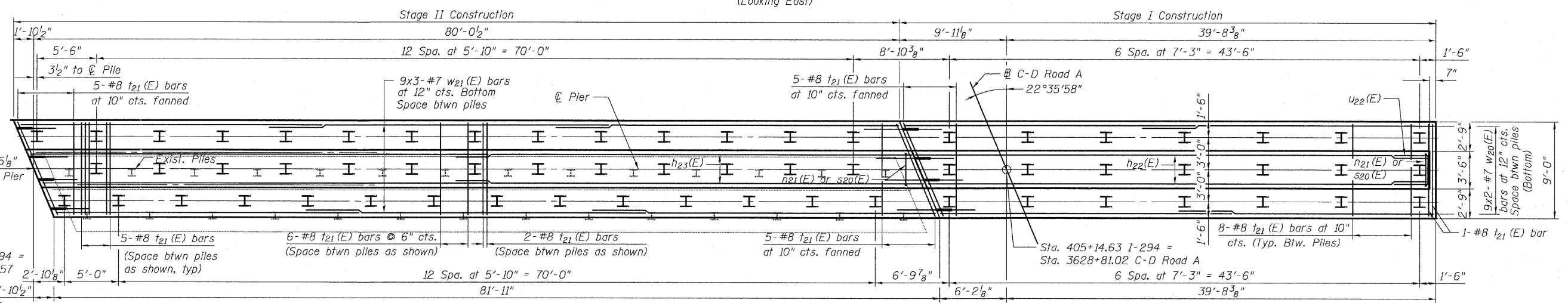


ELEVATION
(Looking East)

MINIMUM BAR LAPS

Bar	Lap
#5	3'-3"
#7	5'-2"
#8	6'-9"
#8	*7'-8"
#9	8'-7"
#9	*9'-8"

*Top bar lap 22°35'58"



FOOTING PLAN

NOTES:

- See Sheet 51 of 68 for Notes.
- For Sections and Bill of Material see Sheet 54 of 68.

PIER 1 PLAN AND ELEVATION - 1
STRUCTURE NO. 016-1251

SEAT ELEVATIONS

Beam No.	13	14	15	16	17	18	19	20	21	22	23	24	25	26	27	28	29	30	31
Elevation	630.78	630.90	631.03	631.15	631.26	631.35	631.35	631.25	631.13	630.99	630.85	630.71	631.09	631.19	631.27	631.27	631.19	631.07	630.94
Step Height	1/2"	1/2"	1/2"	1 3/8"	1 1/8"	0"	1/4"	1/2"	1 5/8"	1 5/8"	1 5/8"	1 5/8"	1 1/4"	1"	0"	1"	1 1/2"	1 1/2"	1 1/2"

TYLIN INTERNATIONAL

DESIGNED -	PK	REVISIONS	
CHECKED -	SP,	NAME	DATE
DRAWN -	PK		
CHECKED -	SP,PDF		
DATE -	03/18/10		

SHEET NO. 50
68 SHEETS

F.A.I. RTE.	SECTION	COUNTY	TOTAL SHEETS	SHEET NO.
57	1414.2B	COOK	516	295
CONTRACT NO. 60J27				
FED. ROAD DIST. NO. 1 ILLINOIS FED. AID PROJECT				

P:\602540\57-294\STRUCTURAL\1-57-OVER-1294\0161251-60J27-050-PIER1-EL1.dwg 3/17/2010