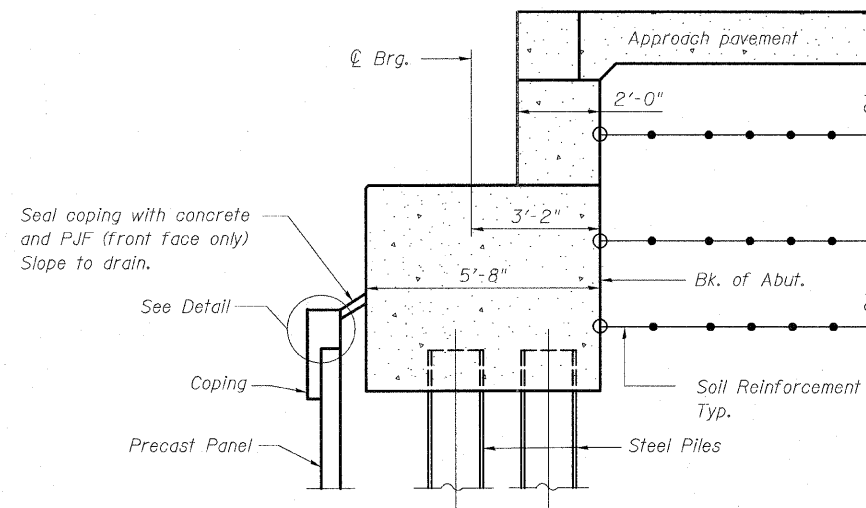
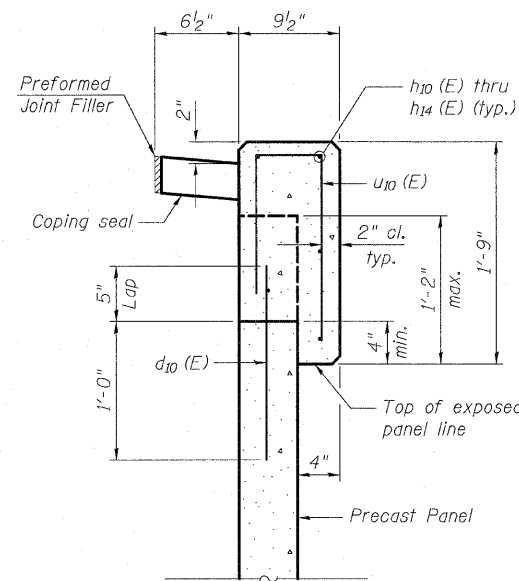


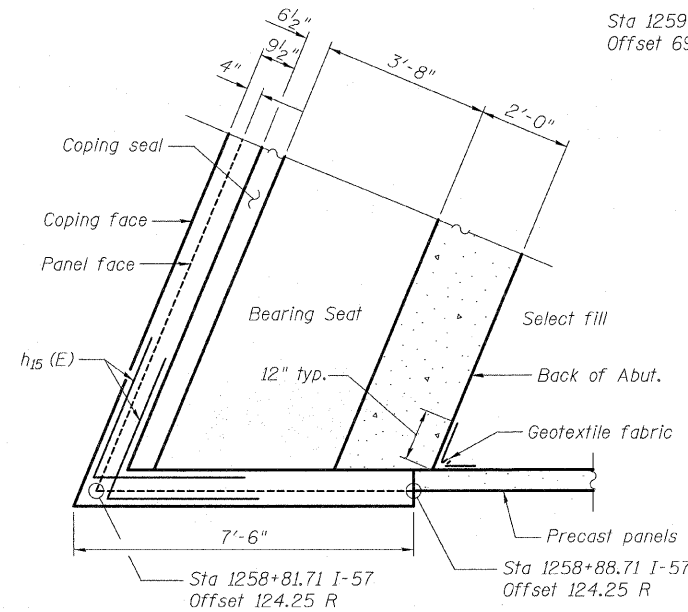
STATE OF ILLINOIS
DEPARTMENT OF TRANSPORTATION



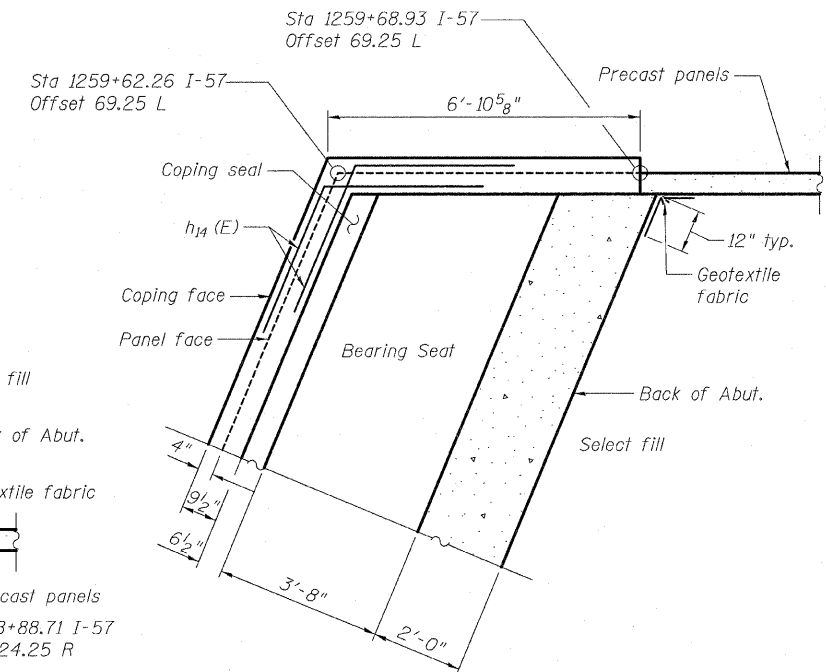
SECTION THRU E. ABUTMENT
(Horiz. dim. @ Rt. L's)



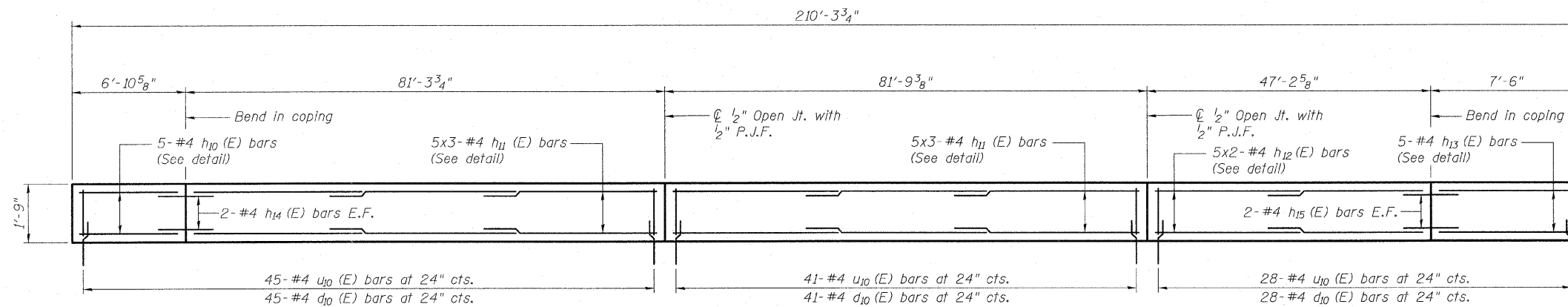
DETAIL



PLAN AT ABUT. - S. END



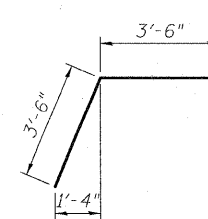
PLAN AT ABUT. - N. END



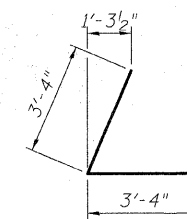
ELEVATION

MINIMUM BAR LAP

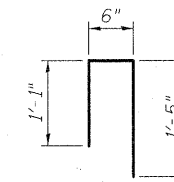
#4 bar - 2'-7"



BAR h14 (E)



BAR h15 (E)



BAR u10 (E)

BILL OF MATERIAL

Bar	No.	Size	Length	Shape
d10 (E)	114	#4	1'-5"	U
h10 (E)	5	#4	6'-6"	—
h11 (E)	30	#4	28'-10"	—
h12 (E)	10	#4	24'-9"	—
h13 (E)	5	#4	7'-2"	—
h14 (E)	4	#4	7'-0"	—
h15 (E)	4	#4	6'-8"	—
u10 (E)	114	#4	3'-0"	U
Concrete Structures			Cu. Yd.	10.8
Reinforcement Bars, Epoxy Coated			Pound	1,170

**MECHANICALLY STABILIZED EARTH
RETAINING WALL - DETAILS
STRUCTURE NO. 016-1251**

TYLIN INTERNATIONAL	DESIGNED - PK	REVISIONS		SHEET NO. 49	F.A.I. RTE. 57	SECTION 1414.2B	COUNTY COOK	TOTAL SHEETS 516	SHEET NO. 294
	CHECKED - SP.	NAME	DATE						
	DRAWN - PK								
	CHECKED - SP,PDF								
	DATE - 03/18/10								
				68 SHEETS	CONTRACT NO. 60J27				
				FED. ROAD DIST. NO. 1 ILLINOIS FED. AID PROJECT					

P:\602540157-294\STRUCTURAL\1-57_OVER_1294\0161251-60J27-049-MSE_WALL-DTL1.dgn 10:18:41 AM 3/18/2010