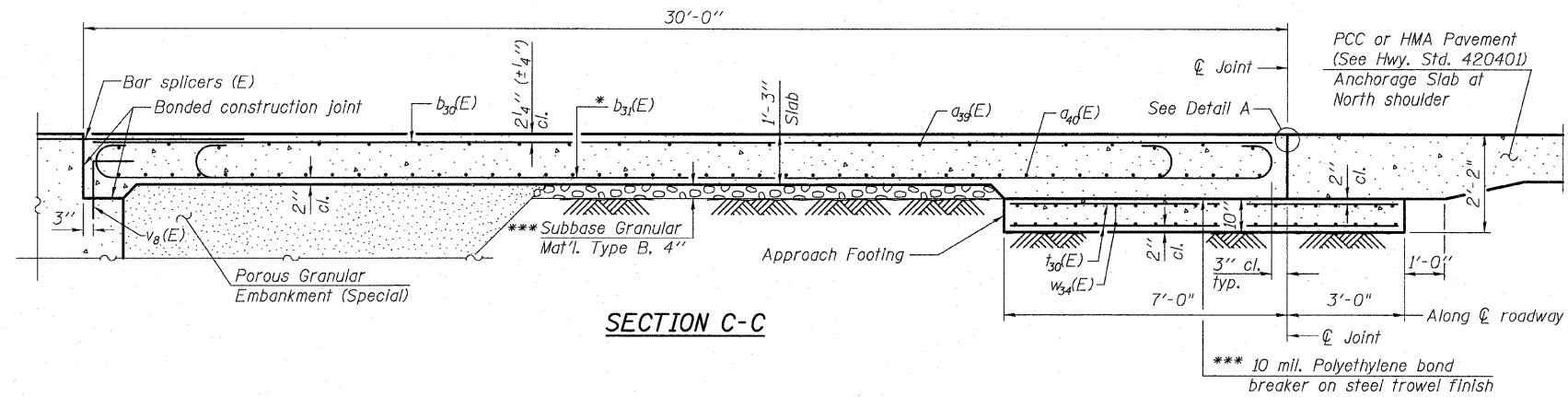


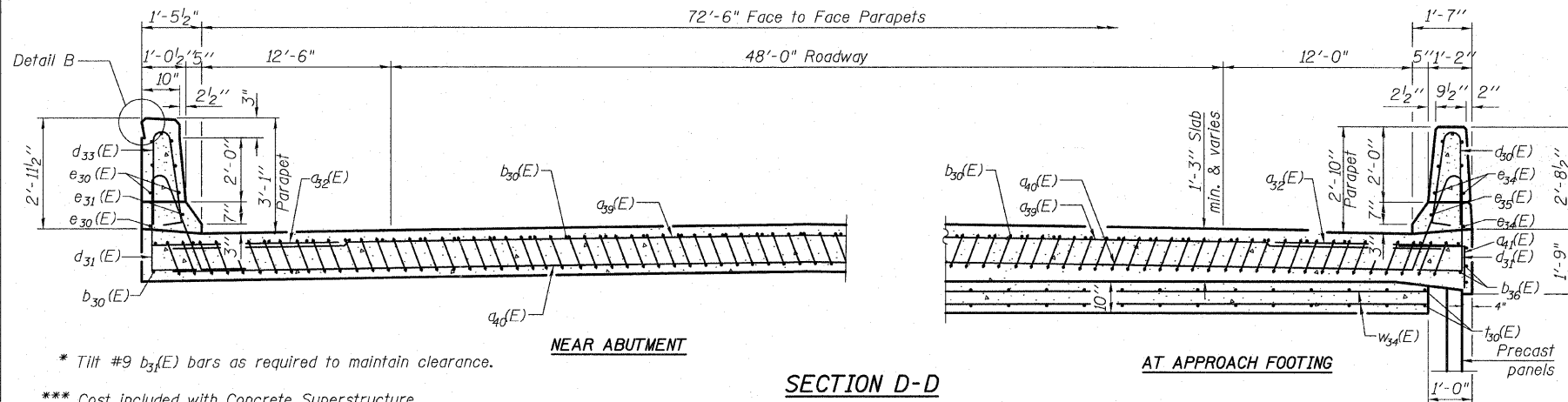
STATE OF ILLINOIS
DEPARTMENT OF TRANSPORTATION

Notes:
See sheet 33 of 68 for Detail A.
Approach slab and parapet concrete shall be paid for as Concrete Superstructure.
Approach footing concrete shall be paid for as Concrete Structures.
Reinforcement shall be paid for as Reinforcement Bars, Epoxy Coated.
For $v_8(E)$ bar details, see sheet 46 of 68.
The approach footing maximum applied service bearing pressure (Q_{max}) = 2.0 ksf.
For bar splicer details, see sheet 56 of 68.
Cost of excavation for approach footing included with Concrete Structures.
For Porous Granular Embankment (Special) and drainage treatment details, see sheet 2 of 68.

The quantity for Bridge Deck Grooving & Protective Coat for approach slab is included with the quantities on sheet 2 of 68.



SECTION C-C



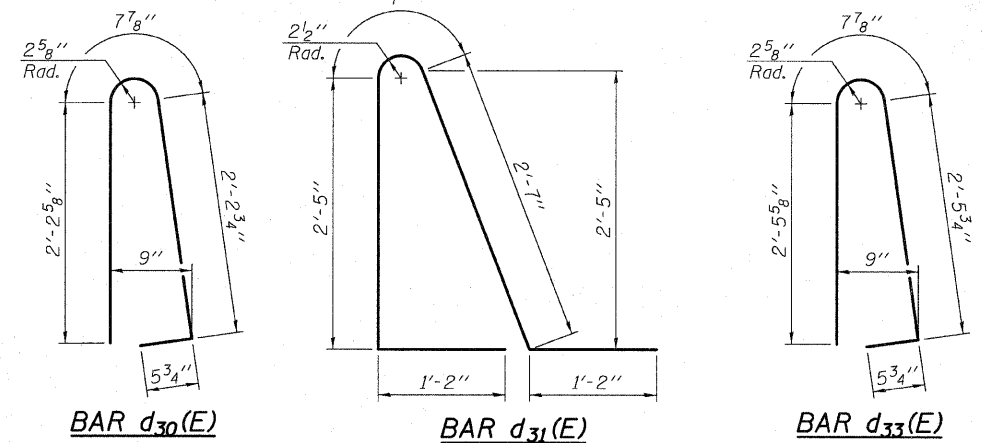
NEAR ABUTMENT

AT APPROACH FOOTING

SECTION D-D

(See Plan for dimensions not shown)
(See Cross Slope Sketch below for lane widths, I-57 C.L. and P.G.L. location)

* Tilt #9 $b_3(E)$ bars as required to maintain clearance.
*** Cost included with Concrete Superstructure.



BAR $d_{30}(E)$

BAR $d_{31}(E)$

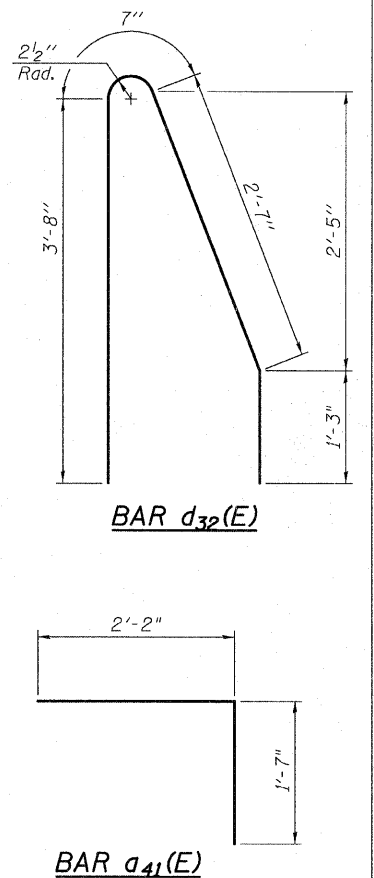
BAR $d_{33}(E)$

BILL OF MATERIAL

Bar	No.	Size	Length	Shape
$a_{3d}(E)$	75	#4	29'-2"	
$a_{4d}(E)$	92	#5	42'-5"	
$a_{3d}(E)$	50	#6	6'-6"	
$a_4(E)$	25	#5	3'-9"	
$b_{3d}(E)$	62	#4	29'-8"	
$b_{31}(E)$	181	#9	29'-9"	
$b_{3d}(E)$	4	#5	30'-10"	
$d_{3d}(E)$	35	#5	5'-7"	
$d_{31}(E)$	70	#5	7'-11"	
$d_{32}(E)$	2	#5	8'-1"	
$d_{33}(E)$	35	#5	6'-1"	
$e_{30}(E)$	8	#4	31'-3"	
$e_{31}(E)$	1	#8	31'-3"	
$e_{34}(E)$	8	#4	30'-10"	
$e_{35}(E)$	1	#8	30'-10"	
$t_{3d}(E)$	152	#4	9'-8"	
$w_{34}(E)$	120	#5	28'-8"	
Concrete Superstructure		Cu. Yd.	113.4	
Concrete Structures		Cu. Yd.	25.3	
(1.) Reinforcement Bars, Epoxy Coated		Pound	31,830	

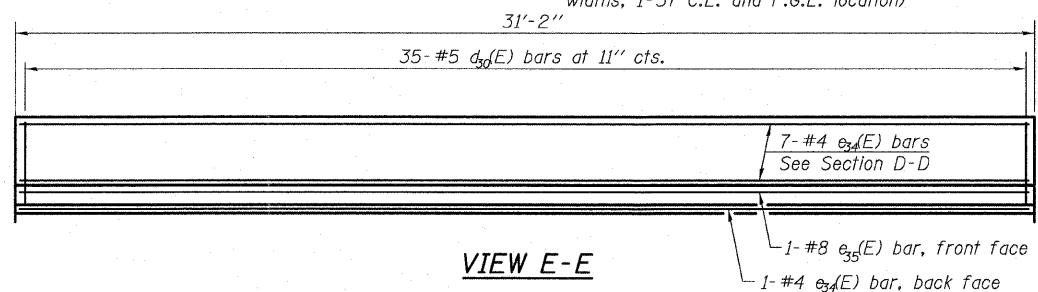
(1.) 4,570 pounds billed in Substructure
Total in Total Bill of Material on Sheet 2

EAST APPROACH SLAB SB I-57 - 2
STRUCTURE NO. 016-1251

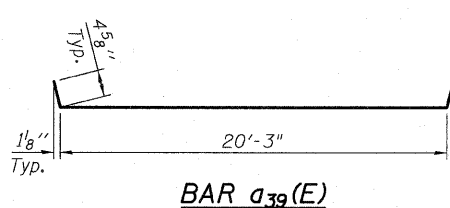


BAR $d_{32}(E)$

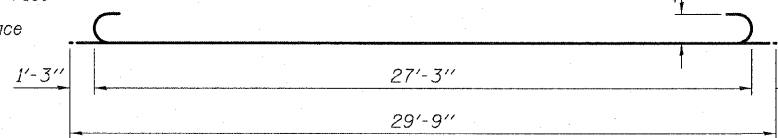
BAR $a_{41}(E)$



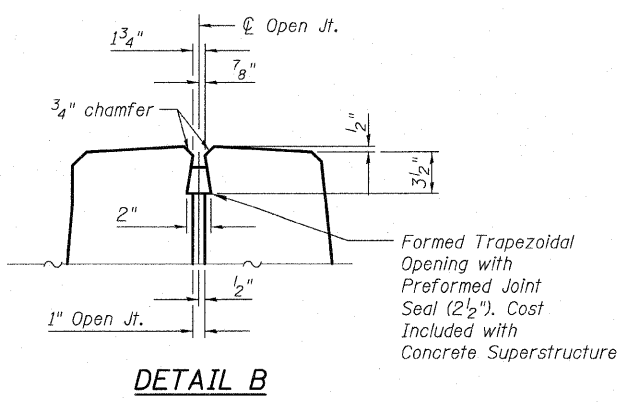
VIEW E-E



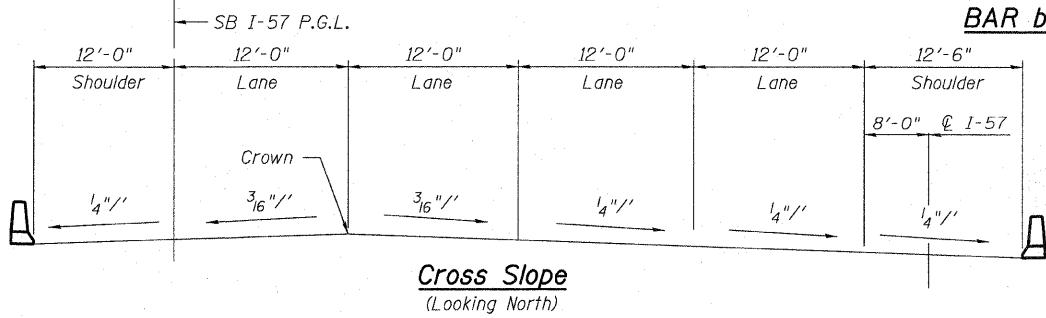
BAR $a_{39}(E)$



BAR $b_{31}(E)$



DETAIL B



Cross Slope
(Looking North)

TYLIN INTERNATIONAL	DESIGNED - JMA	REVISIONS		SHEET NO. 34	F.A.I. RTE. 57	SECTION 1414.2B	COUNTY COOK	TOTAL SHEETS 516	SHEET NO. 279
	CHECKED - SP,	NAME	DATE						
	DRAWN - JMA								
	CHECKED - SP,PDF								
	DATE - 03/18/10								
					68 SHEETS		CONTRACT NO. 60J27		
					FED. ROAD DIST. NO. 1		ILLINOIS FED. AID PROJECT		

P:\602540167-294\STRUCTURAL\I-57_OVER_1294\0161251-60J27-034-E_APPR6.dgn 3/17/2010