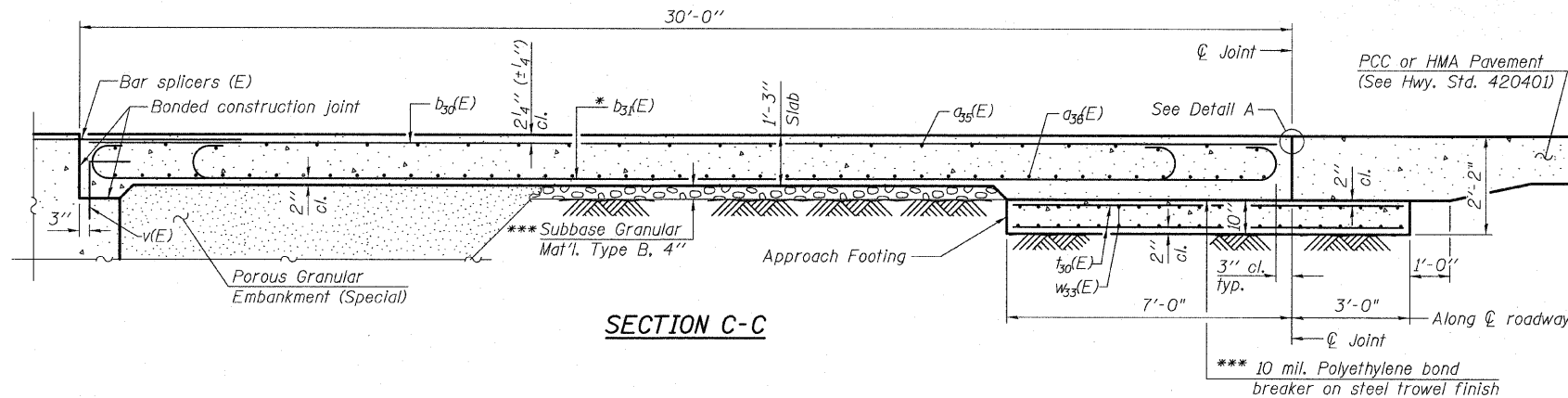


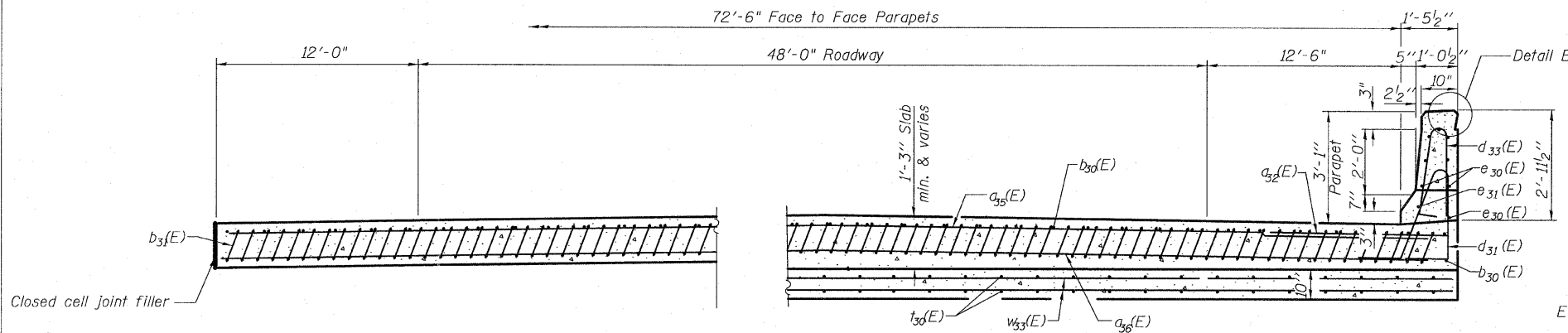
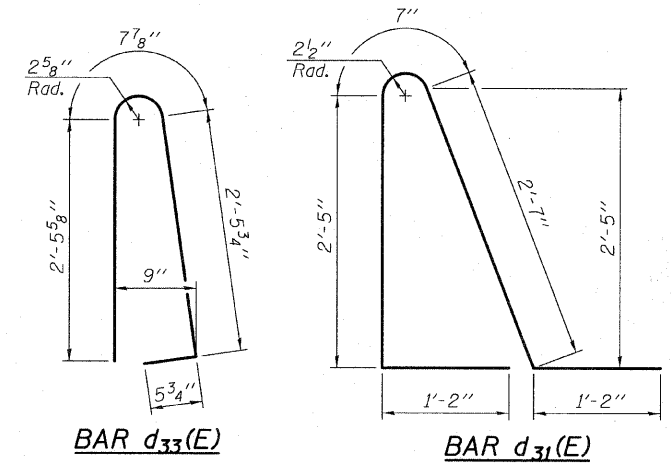
STATE OF ILLINOIS
DEPARTMENT OF TRANSPORTATION



SECTION C-C

Notes:
See sheet 27 of 68 for Detail A.
Approach slab and parapet concrete shall be paid for as Concrete Superstructure.
Approach footing concrete shall be paid for as Concrete Structures.
Reinforcement shall be paid for as Reinforcement Bars, Epoxy Coated.
For v(E) bar details, see sheet 43 of 68.
The approach footing maximum applied service bearing pressure (Q_{max}) = 2.0 ksf.
For bar splicer details, see sheet 56 of 68.
Cost of excavation for approach footing included with Concrete Structures.
For Porous Granular Embankment (Special) and drainage treatment details, see sheet 2 of 68.

The quantity for Bridge Deck Grooving & Protective Coat for approach slab is included with the quantities on sheet 2 of 68.

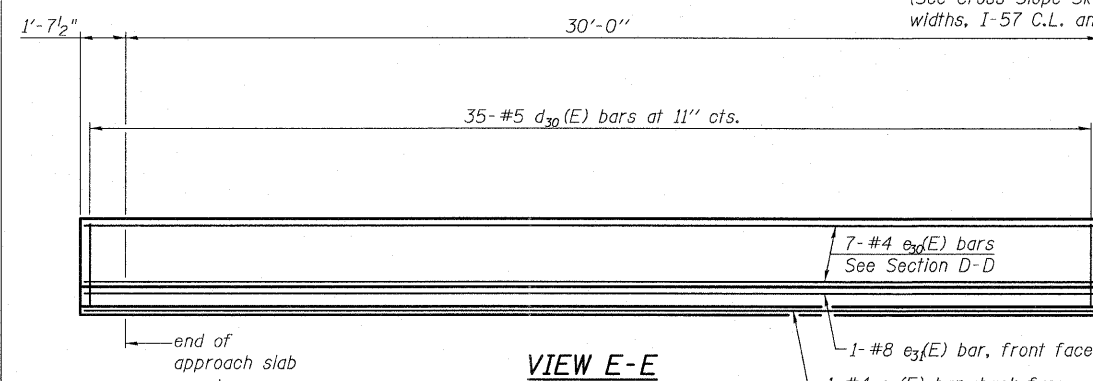


SECTION D-D

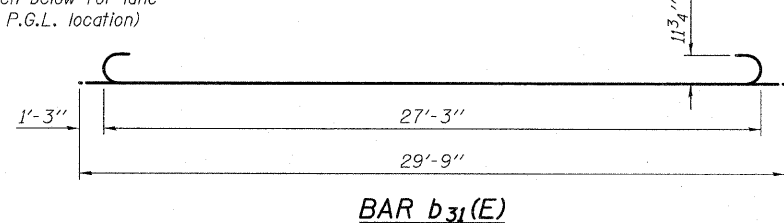
AT APPROACH FOOTING

* Tilt #9 b31(E) bars as required to maintain clearance.
*** Cost included with Concrete Superstructure.

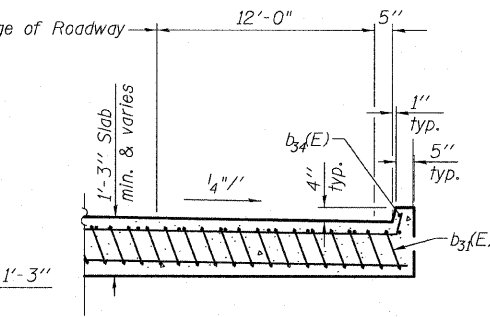
NEAR ABUTMENT



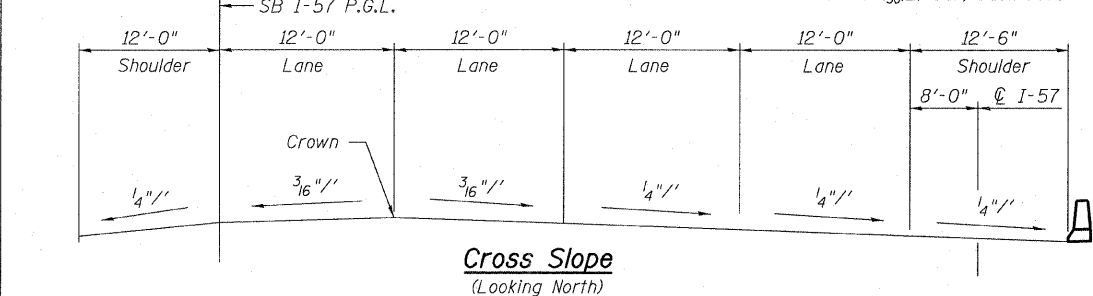
VIEW E-E



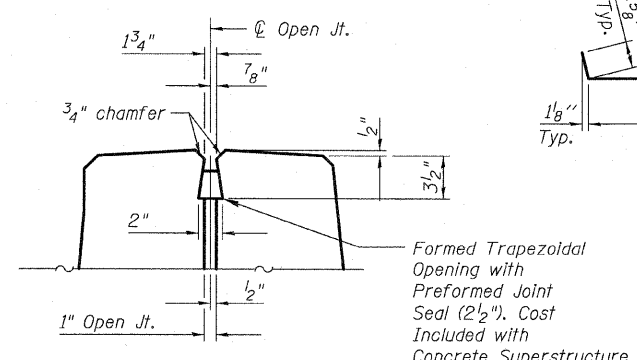
BAR b31(E)



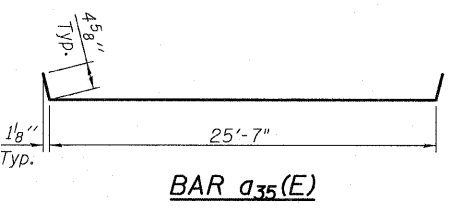
VIEW B-B



Cross Slope
(Looking North)



DETAIL B



BAR a35(E)

BILL OF MATERIAL

Bar	No.	Size	Length	Shape
a35(E)	25	#6	6'-6"	U
a36(E)	75	#4	28'-11"	U
a36(E)	92	#5	42'-0"	U
b30(E)	61	#4	29'-8"	U
b31(E)	178	#9	29'-9"	U
b34(E)	1	#4	20'-2"	U
d3(E)	35	#5	7'-11"	A
d3(E)	35	#5	6'-1"	A
e30(E)	8	#4	31'-3"	U
e31(E)	1	#8	31'-3"	U
t30(E)	150	#4	9'-8"	U
w33(E)	120	#5	29'-1"	U
Concrete Superstructure		Cu. Yd.	109.1	
Concrete Structures		Cu. Yd.	25.1	
(1.) Reinforcement Bars, Epoxy Coated		Pound	30,330	

(1.) 4,610 pounds billed in Substructure
Total in Total Bill of Material on Sheet 2

WEST APPROACH SB I-57 - 2
STRUCTURE NO. 016-1251

TYLIN INTERNATIONAL	DESIGNED - JMA	REVISIONS		SHEET NO. 28	F.A.I. RTE. 57	SECTION 1414.2B	COUNTY COOK	TOTAL SHEETS 516	SHEET NO. 273
	CHECKED - SP,	NAME	DATE						
	DRAWN - JMA								
	CHECKED - SP,PDF								
	DATE - 03/18/10								
				68 SHEETS	CONTRACT NO. 60J27		FED. ROAD DIST. NO. 1 ILLINOIS FED. AID PROJECT		

P:\60254\57-294\STRUCTURAL\I-57 OVER I294\0161251-60J27-028-W_APPR6.dwg 3/17/2010