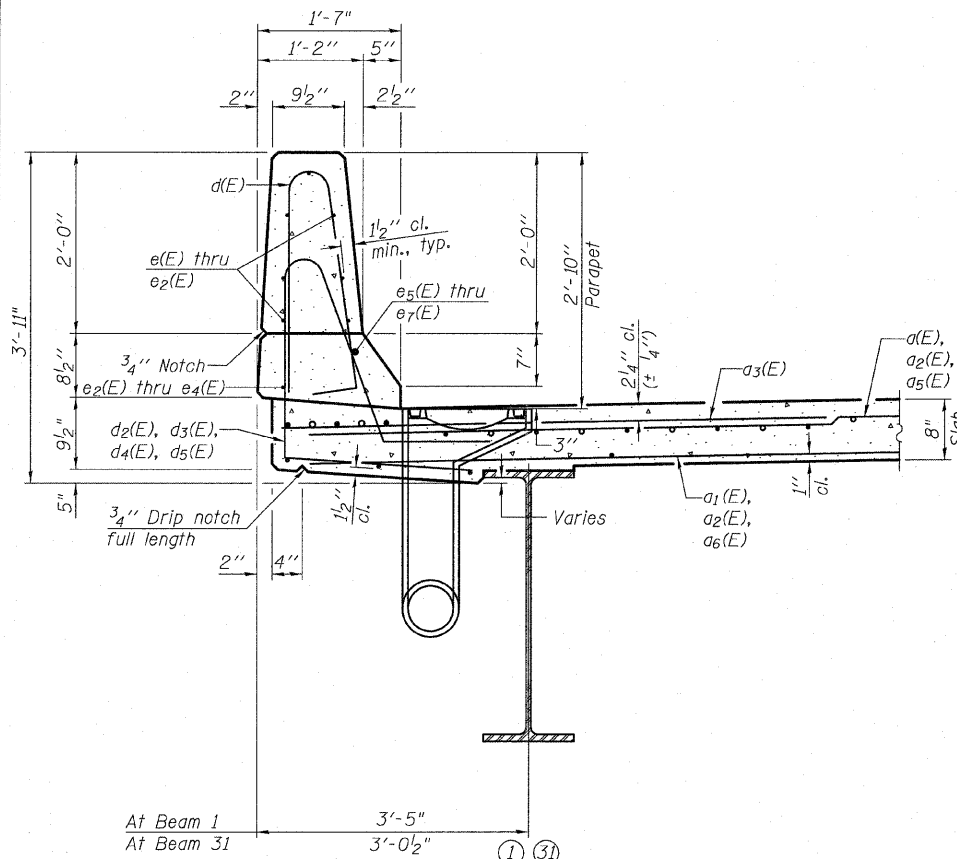
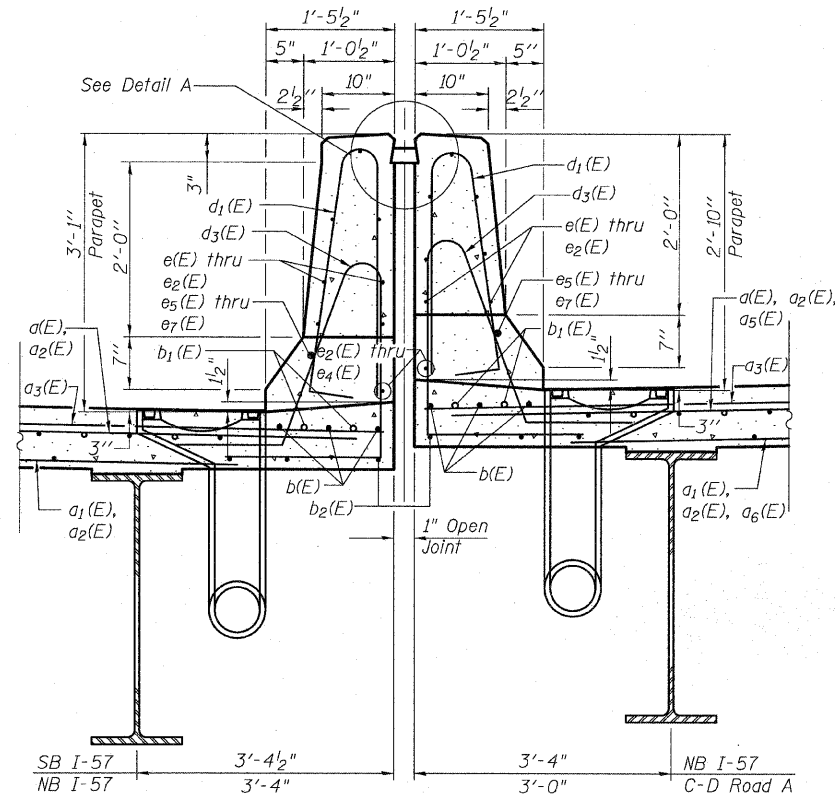


STATE OF ILLINOIS
DEPARTMENT OF TRANSPORTATION

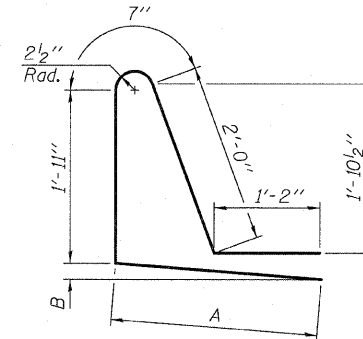
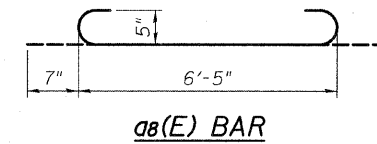


SECTION THRU PARAPET



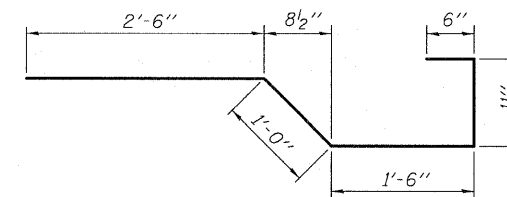
SECTION THRU MEDIAN PARAPET

(See sheets 18-20 of 68 for parapet heights)

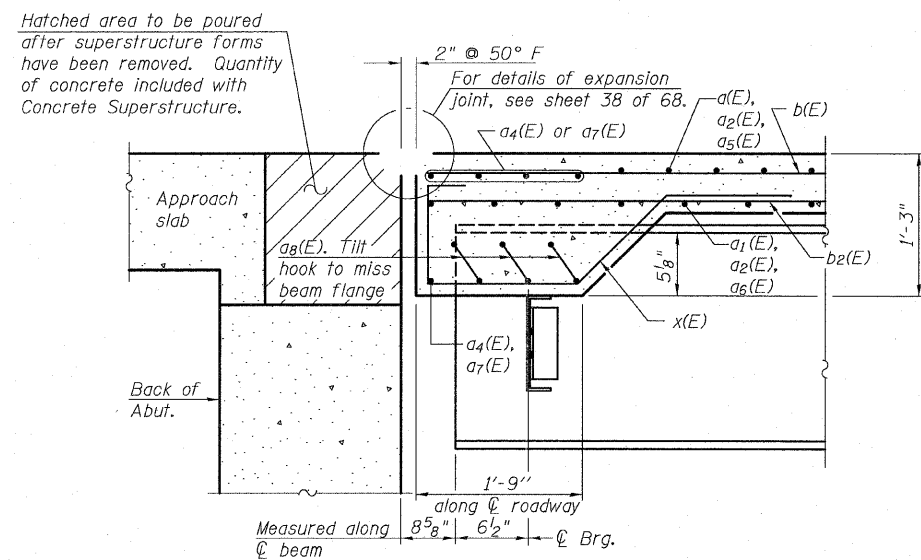


BARS $d_2(E)$ thru $d_5(E)$

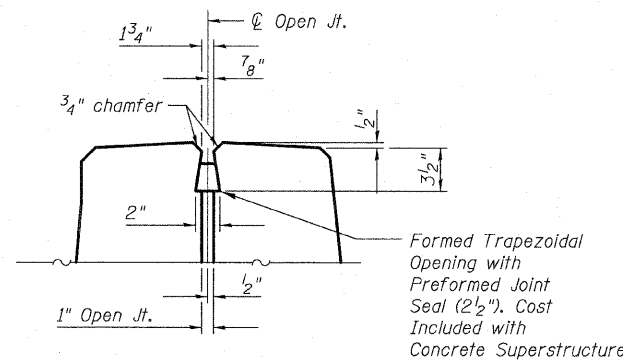
Bar	A	B
$d_2(E)$	2'-3 1/2"	5"
$d_3(E)$	2'-2 1/2"	0"
$d_4(E)$	1'-11"	0"
$d_5(E)$	1'-11"	5"



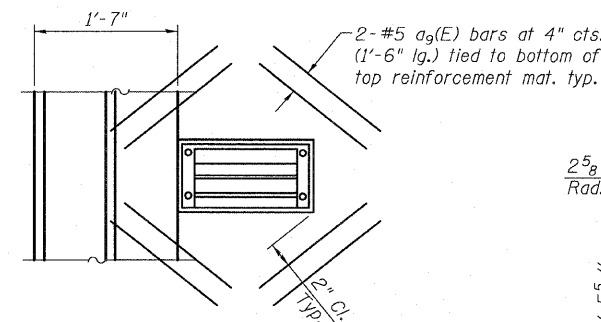
BAR $x(E)$



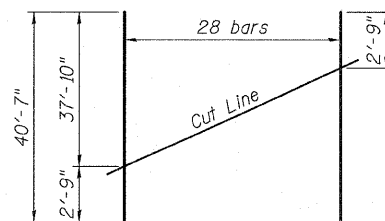
SECTION A-A



DETAIL A

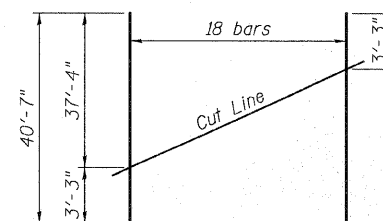


PLAN AT SCUPPERS



BAR $a_2(E)$ - TOP

Order bars full length. Cut as shown and use remainder of bars in opposite end.

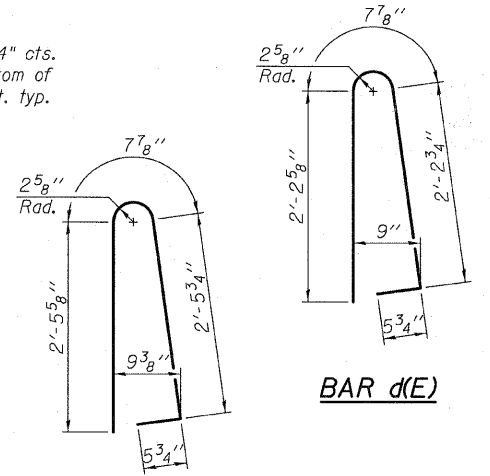


BAR $a_2(E)$ - BOTTOM

Order bars full length. Cut as shown and use remainder of bars in opposite end.

SUPERSTRUCTURE
BILL OF MATERIAL

Bar	No.	Size	Length	Shape
$a(E)$	1724	#5	39'-3"	—
$a_1(E)$	1680	#5	27'-9"	—
$a_2(E)$	368	#5	40'-7"	—
$a_3(E)$	2898	#6	6'-6"	—
$a_4(E)$	60	#5	29'-8"	—
$a_5(E)$	487	#5	42'-7"	—
$a_6(E)$	317	#5	42'-2"	—
$a_7(E)$	10	#5	46'-3"	—
$a_8(E)$	168	#5	7'-7"	—
$a_9(E)$	144	#5	1'-6"	—
$b(E)$	1414	#5	40'-5"	—
$b_1(E)$	386	#6	52'-6"	—
$b_2(E)$	1264	#5	35'-10"	—
$d(E)$	1156	#5	5'-7"	—
$d_1(E)$	578	#5	6'-1"	—
$d_2(E)$	289	#5	7'-11 1/2"	—
$d_3(E)$	867	#5	7'-10 1/2"	—
$d_4(E)$	289	#5	7'-7"	—
$d_5(E)$	289	#5	7'-7"	—
$e(E)$	336	#4	18'-8"	—
$e_1(E)$	126	#4	18'-10"	—
$e_2(E)$	192	#4	13'-4"	—
$e_3(E)$	24	#4	38'-9"	—
$e_4(E)$	12	#4	29'-7"	—
$e_5(E)$	24	#8	40'-4"	—
$e_6(E)$	12	#8	31'-2"	—
$e_7(E)$	24	#8	13'-4"	—
$x(E)$	280	#5	6'-5"	—
Reinforcement Bars, Epoxy Coated		Pound	378,970	
Concrete Superstructure		Cu. Yds.	1515.7	



BAR $d_1(E)$

SUPERSTRUCTURE DETAILS
STRUCTURE NO. 016-1251

TYLIN INTERNATIONAL	DESIGNED - PK	REVISIONS		SHEET NO. 22	F.A.I. RTE.	SECTION	COUNTY	TOTAL SHEETS	SHEET NO.
	CHECKED - SP,	NAME	DATE		57	1414.2B	COOK	516	267
	DRAWN - PK				68 SHEETS			CONTRACT NO. 60J27	
	CHECKED - SP,PDF					FED. ROAD DIST. NO. 1 ILLINOIS FED. AID PROJECT			
	DATE - 03/18/10								