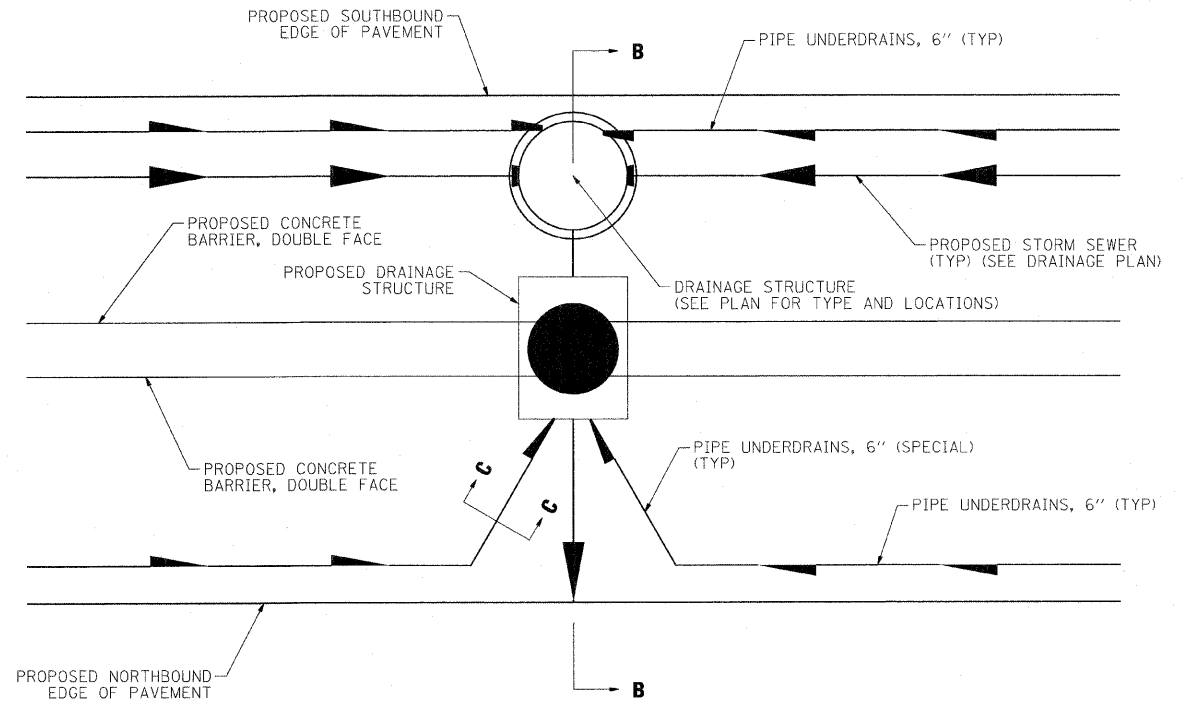
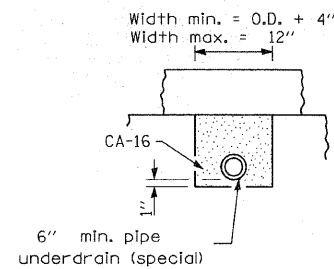


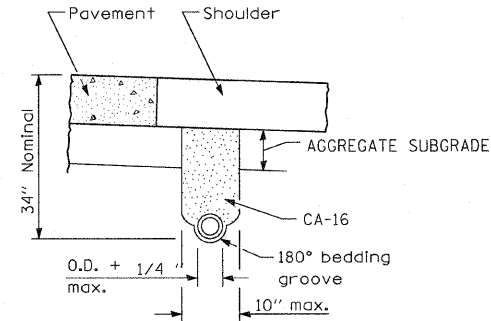
PLAN A



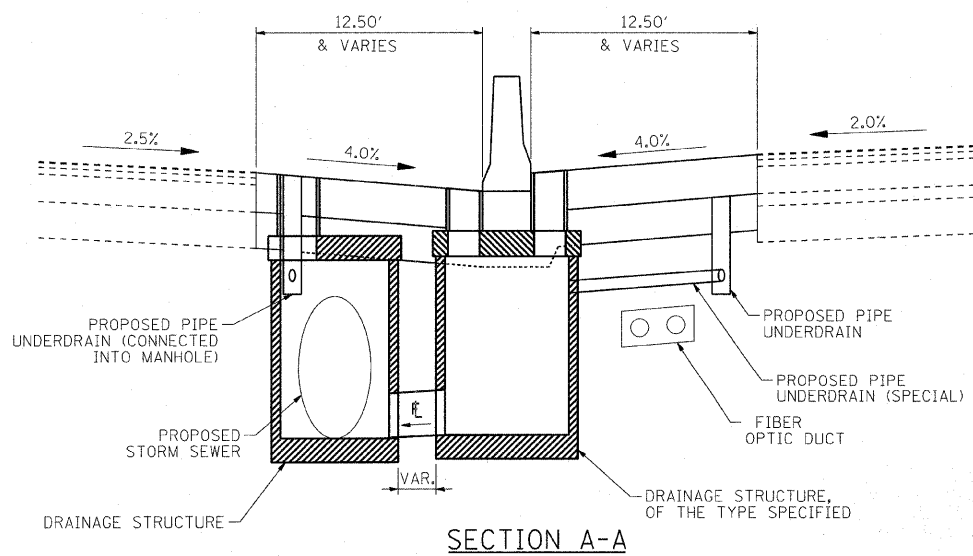
PLAN B



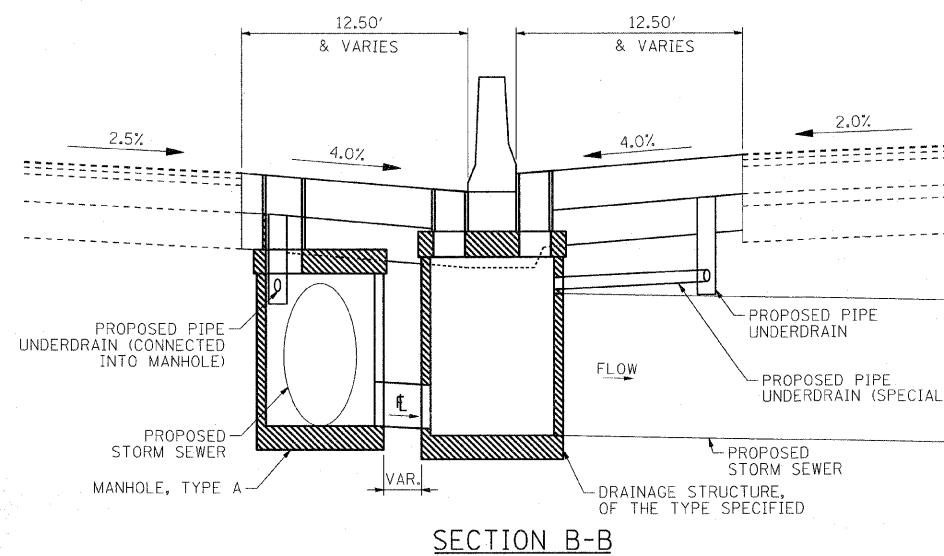
SECTION C-C



TRENCH FOR CORRUGATED POLYETHYLENE TUBING ALTERNATE



SECTION A-A



SECTION B-B

NOTES:
This work shall be according to Section 601 of the Standard Specifications and Standard 601001

The trench shall be wrapped using a fabric envelope meeting the requirements of Article 1080.05 of the Standard Specifications. The fabric encompassing the trench shall be in addition to the fabric required to be placed in direct contact with the pipe. This material and work shall be included in the cost of the pipe underdrain.

SEC GROUP, INC.
PROJECT CONTACT: T. HAMILTON
CLIENT: ILLINOIS DEPARTMENT OF TRANSPORTATION
DATE PLOTTED: 3/17/2010 10:27:27 AM
FILE NAME: PL_PP_Details-PipeUnder-dr.dwg
PLOT DRIVER: def_dwt-11f.plt
PLOT TABLE: standard-trans.tbl



USER NAME = JAttana	DESIGNED - J. ATTANASEO	REVISED -
FILE NAME = PL_PP_Details-PipeUnder-dr	DRAWN - J. ATTANASEO	REVISED -
PLOT SCALE = N.T.S.	CHECKED -	REVISED -
PLOT DATE = 3/17/2010	DATE = 3/17/10	REVISED -

STATE OF ILLINOIS
DEPARTMENT OF TRANSPORTATION

I-294 AT I-57 INTERCHANGE PROJECT DRAINAGE DETAILS
PIPE UNDERDRAIN

SCALE: #SCALE# SHEET NO. 1 OF 5 SHEETS STA. TO STA.

F.A.I. RTE.	SECTION	COUNTY	TOTAL SHEETS	SHEET NO.
57	1414.2B	COOK	516	157
FED. ROAD DIST. NO.			ILLINOIS FED. AID PROJECT	
			CONTRACT NO. 60J27	