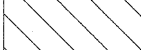


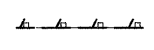
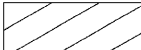
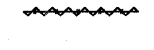



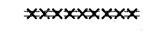
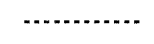
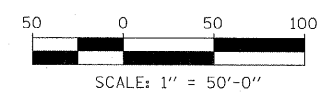
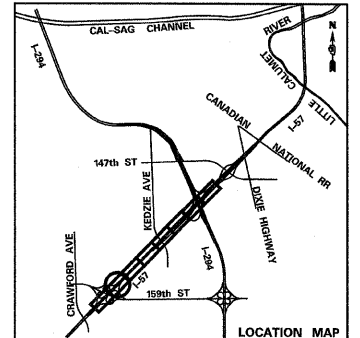


MATCHLINE STA. 1174+50.00

MATCHLINE STA. 1189+00.00

**LEGEND:**

- |   |   |   |  |
|---|---|---|--|
|  | PAVED SHOULDER REMOVAL                          |  | TREE REMOVAL (ACRES)                     |
|  | HOT-MIX ASPHALT SURFACE REMOVAL, 2" (SEE PLANS) |  | GUARDRAIL REMOVAL                        |
|  | PAVEMENT REMOVAL                                |  | CHAIN LINK FENCE REMOVAL                 |
|  | BUTT JOINT                                      |  | COMB CONC CURB & GUTTER REMOVAL          |
|  | TREE REMOVAL (UNITS) (NO UNIT SHOWN = <6)       |  | CONCRETE MEDIAN BARRIER AND BASE REMOVAL |
|   |   |  | LIMITS OF CONSTRUCTION                   |



<b>TYLIN INTERNATIONAL</b>	USER NAME =	DESIGNED - CAC	REVISED - 4/29/2010
	PLOT SCALE =	DRAWN - CAC	REVISED -
	PLOT DATE =	CHECKED - JDF	REVISED -
		DATE - 3/18/2010	REVISED -

**STATE OF ILLINOIS  
DEPARTMENT OF TRANSPORTATION**

**I-57 AT I-294 INTERCHANGE PROJECT  
REMOVAL PLANS**

SCALE: 1"=50'    SHEET NO. 2 OF 8 SHEETS    STA. 1174+50 TO STA. 1189+00

F.A.I. RTE.	SECTION	COUNTY	TOTAL SHEETS	SHEET NO.
57	1414.2B	COOK	516	33
CONTRACT NO. 60J27			ILLINOIS FED. AID PROJECT	