


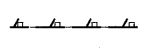
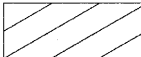
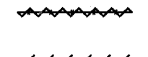

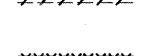
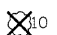
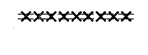

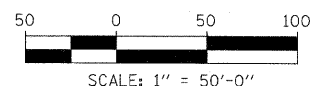
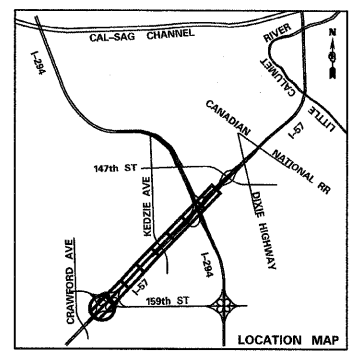


LEGEND:

- | | | | |
|---|---|---|--|
|  | PAVED SHOULDER REMOVAL |  | TREE REMOVAL (ACRES) |
|  | HOT-MIX ASPHALT SURFACE REMOVAL, 2" (SEE PLANS) |  | GUARDRAIL REMOVAL |
|  | PAVEMENT REMOVAL |  | CHAIN LINK FENCE REMOVAL |
|  | BUTT JOINT |  | COMB CONC CURB & GUTTER REMOVAL |
|  | TREE REMOVAL (UNITS) (NO UNIT SHOWN = <6) |  | CONCRETE MEDIAN BARRIER AND BASE REMOVAL |
| | |  | LIMITS OF CONSTRUCTION |



TYLIN INTERNATIONAL

USER NAME =	DESIGNED - CAC	REVISED - 4/29/2010
PLOT SCALE =	DRAWN - CAC	REVISED -
PLOT DATE =	CHECKED - JDF	REVISED -
	DATE - 3/18/2010	REVISED -

**STATE OF ILLINOIS
DEPARTMENT OF TRANSPORTATION**

**I-57 AT I-294 INTERCHANGE PROJECT
REMOVAL PLANS**

SCALE: 1"=50' SHEET NO. 1 OF 8 SHEETS STA. 1160+00 TO STA. 1174+50

F.A.I. RTE.	SECTION	COUNTY	TOTAL SHEETS	SHEET NO.
57	1414.2B	COOK	516	32
CONTRACT NO. 60J27				
FED. ROAD DIST. NO. ILLINOIS FED. AID PROJECT				