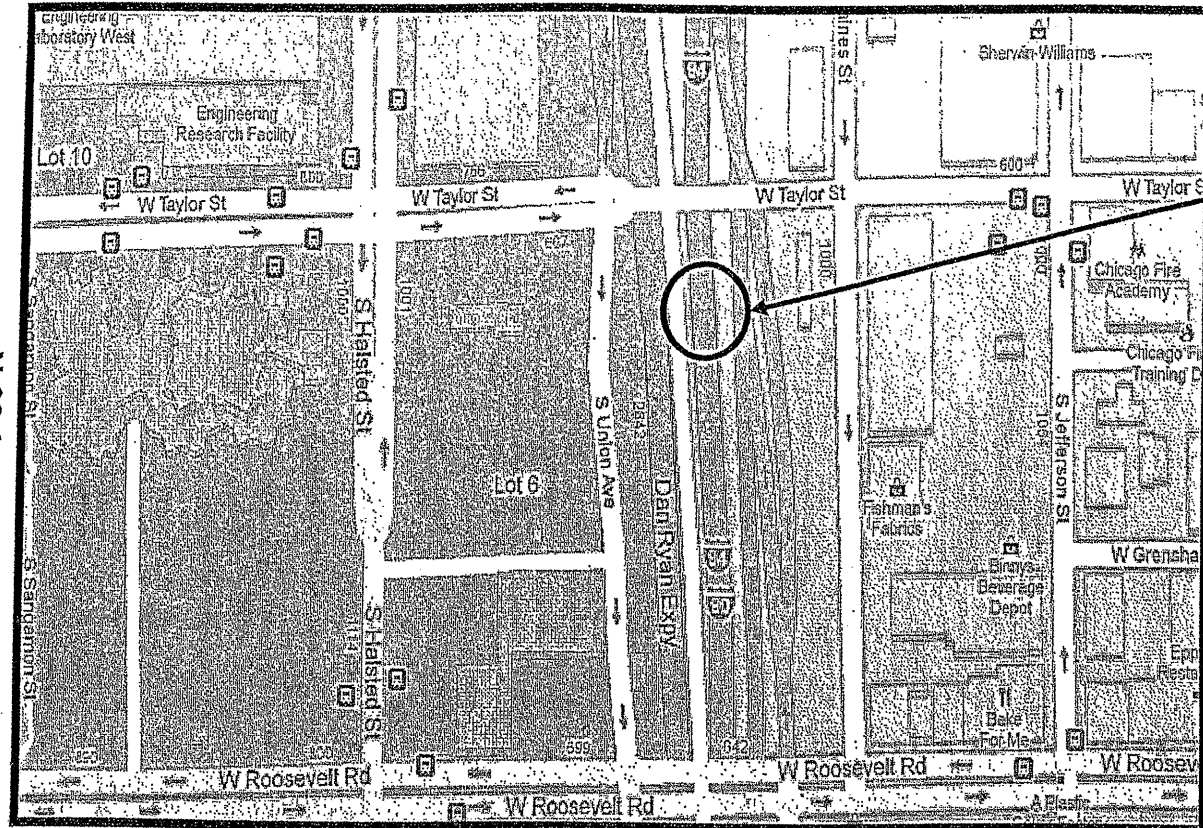


ROUTE VARIOUS	SECTION 2009-101 I	COUNTY VARIOUS	TOTAL SHEETS 36	SHEET NUMBER 17
------------------	-----------------------	-------------------	-----------------------	-----------------------

Contract 60163

R 14 E

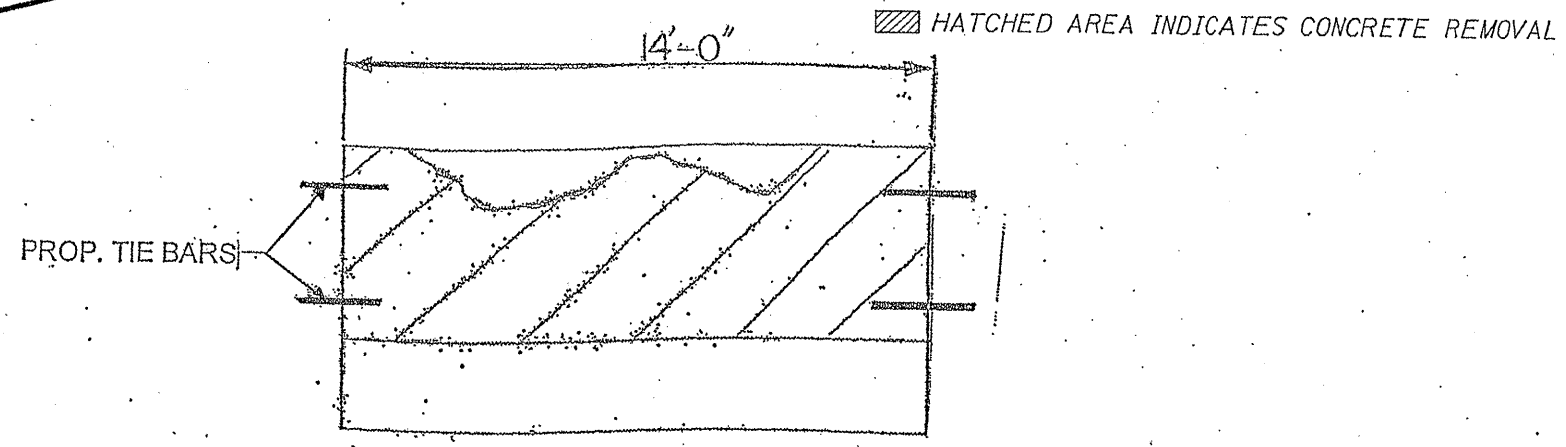
T 39 N



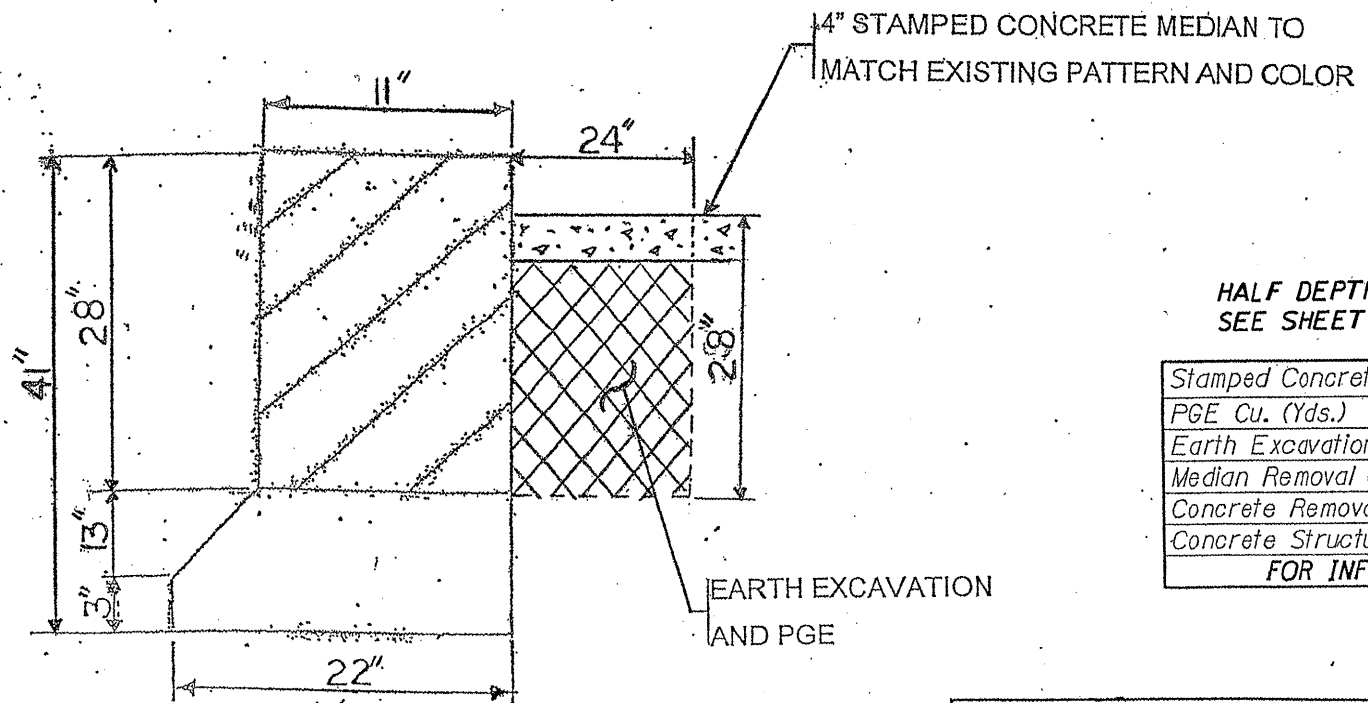
CITY OF CHICAGO  
WEST TOWNSHIP  
COOK COUNTY



LOCATION 7: I-94 NB (DAN RYAN) SOUTH OF TAYLOR STREET LEFT SIDE



ELEVATION

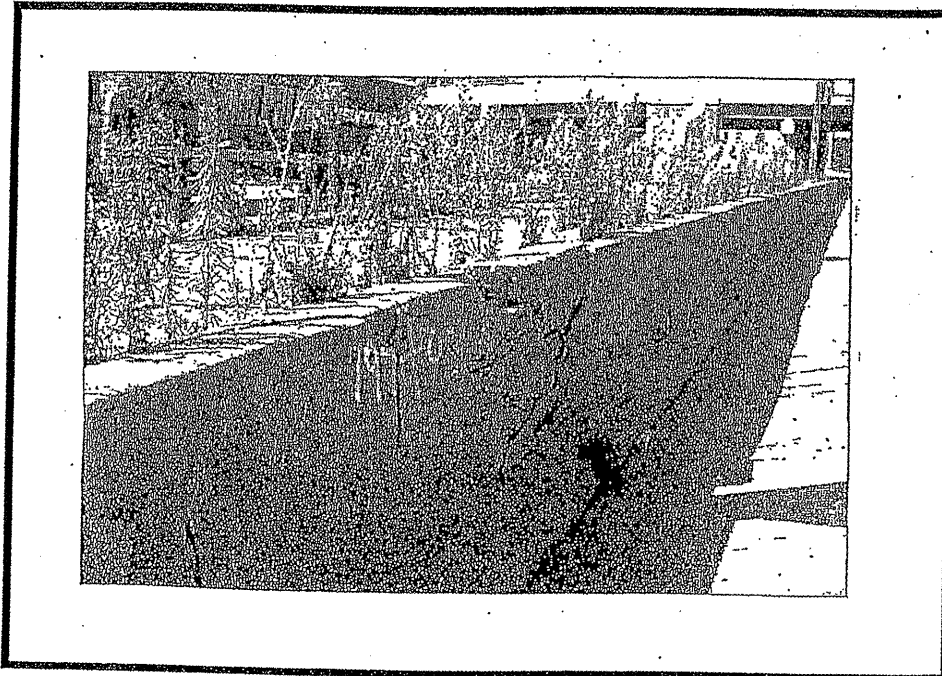


SECTION

14" STAMPED CONCRETE MEDIAN TO  
MATCH EXISTING PATTERN AND COLOR

HALF DEPTH BARRIER REPAIR  
SEE SHEET 9 FOR MORE DETAILS

Stamped Concrete Median, 4" (Sq. Ft.)	28
PGE Cu. (Yds.)	2
Earth Excavation (Cu. Yds.)	2
Median Removal (Sq. Ft.)	28
Concrete Removal (Cu. Yd.)	2.0
Concrete Structure (Cu. Yd.)	2.0
FOR INFORMATION ONLY	



TRAFFIC DATA:

I-94: SPEED LIMIT = 55 MPH  
2009 ADT = 179,800

ILLINOIS DEPARTMENT OF TRANSPORTATION

LOCATION: 7  
I-94 NB SOUTH OF TAYLOR  
STREET