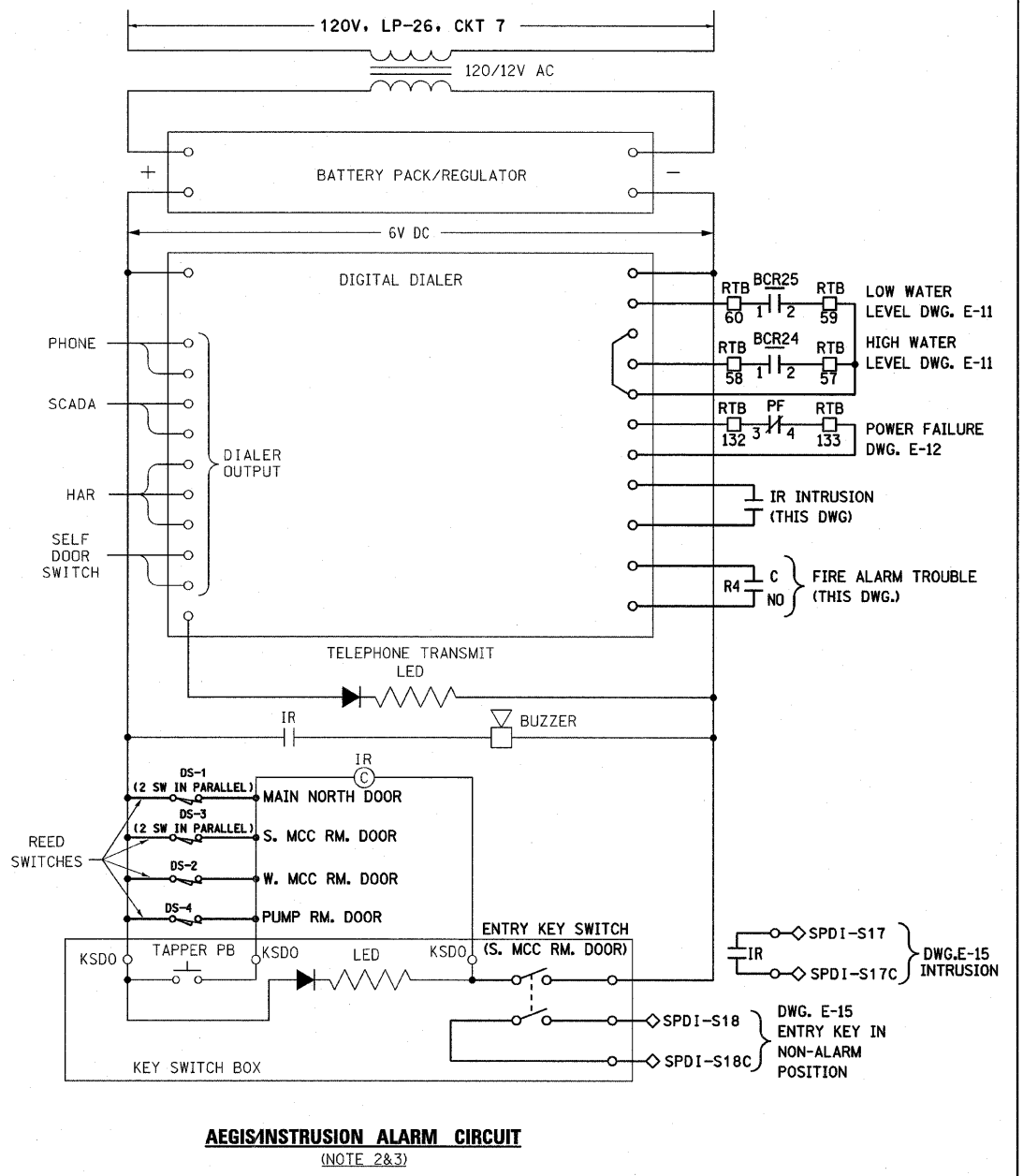
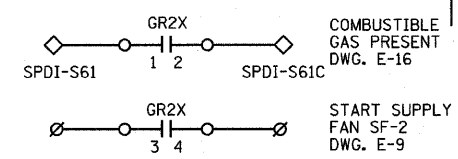
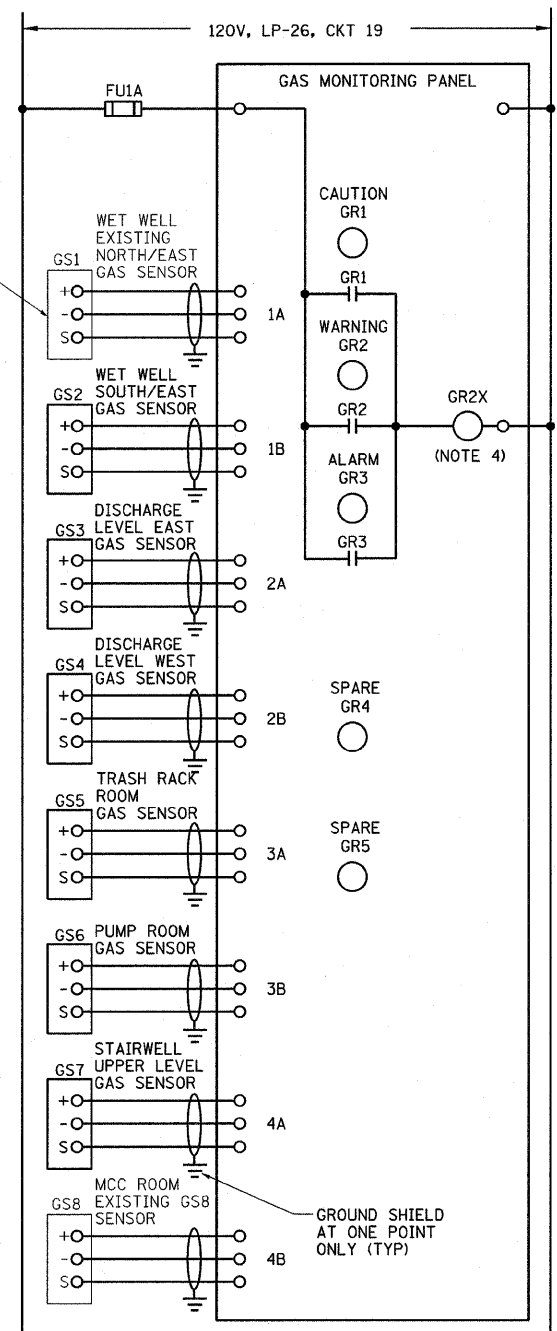
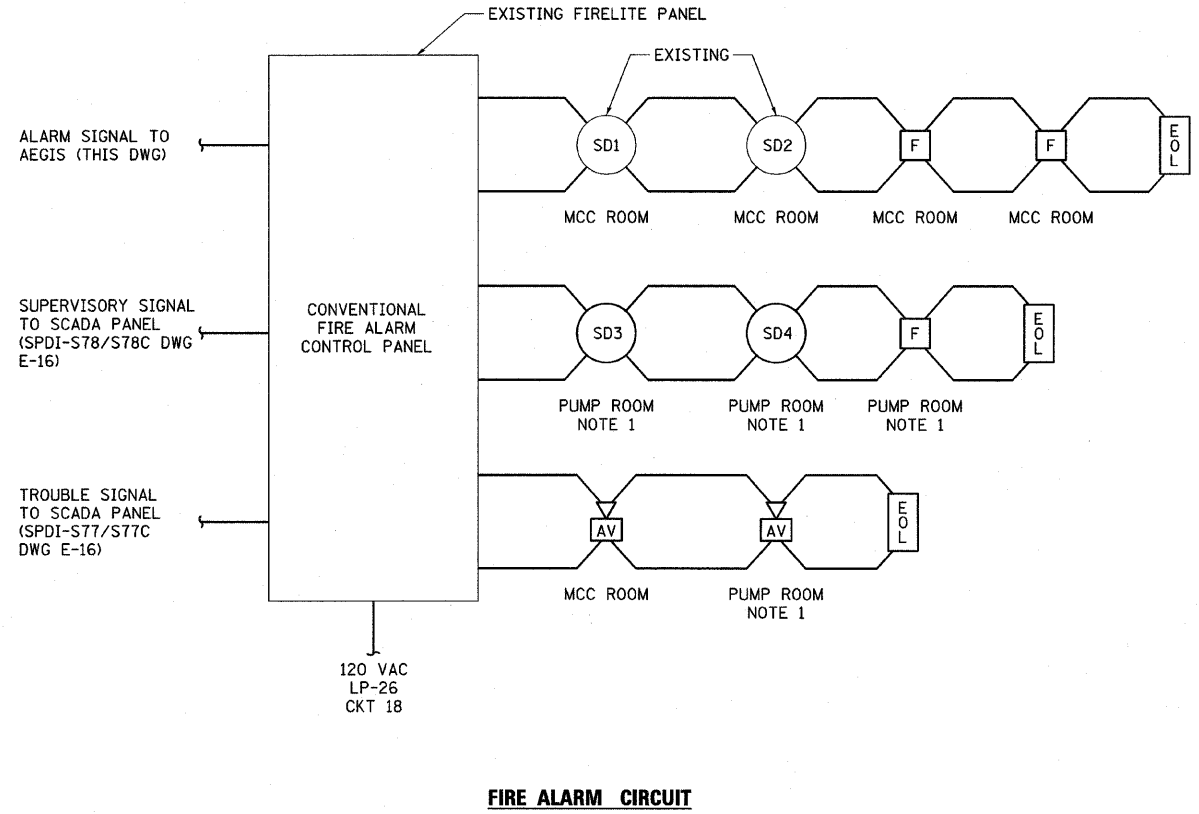


F.A.P. RTE.	SECTION	COUNTY	TOTAL SHEETS	SHEET NO.
90/94	1999-161-1	COOK	75	63
STA.		TO STA.		
FED. ROAD DIST. NO.	ILLINOIS	FED. AID PROJECT		
D-91-411-99				



- LEGEND:**
- ◇ TERMINAL IN SCADA PANEL
  - △ TERMINAL IN MOTOR STARTER
  - TERMINAL IN CONTROL PANEL
  - TERMINAL IN GAS MONITORING PANEL, FIRE ALARM PANEL OR AEGIS.
  - ∅ TERMINAL IN VENTILATION PANEL
  - EOL END-OF-LINE RESISTOR

- NOTES:**
- DEVICES SHALL BE RATED FOR CLASS 1 DIV 1 LOCATIONS.
  - EXISTING AEGIS/INTRUSION ALARM SYSTEM CABINET SHALL BE RELOCATED AND MOUNTED AT NORTH WALL IN MCC ROOM. NEW CABLES TO BE INSTALLED.
  - TERMINALS AND WIRING FOR AEGIS SYSTEM SHALL BE VERIFIED IN FIELD.
  - RELAY GR2X SHALL BE INSTALLED IN THE GAS MONITORING PANEL.



REVISIONS	
NAME	DATE

ILLINOIS DEPARTMENT OF TRANSPORTATION

**INTRUSION, GAS MONITORING & FIRE ALARM SCHEMATICS**

SCALE: VERT. NO SCALE  
HORIZ. NO SCALE

DATE: 3/23/2010

DRAWN BY: B.K.  
CHECKED BY: M.Z.

PLOT DATE = 3/22/2010  
FILE NAME = D:\60828-INT-E-21.dgn  
PLOT SCALE = 1:1  
USER NAME = MUSER