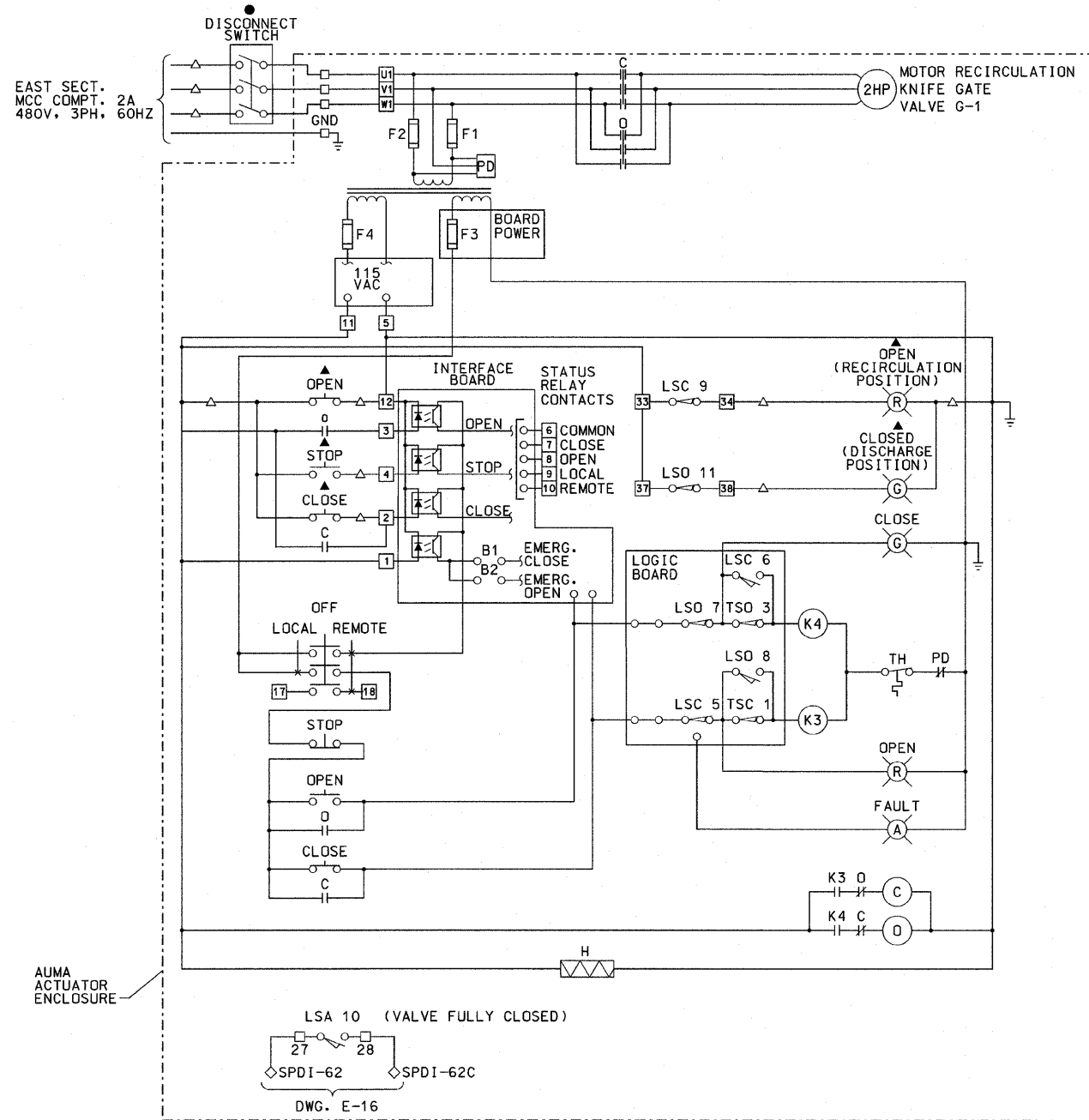
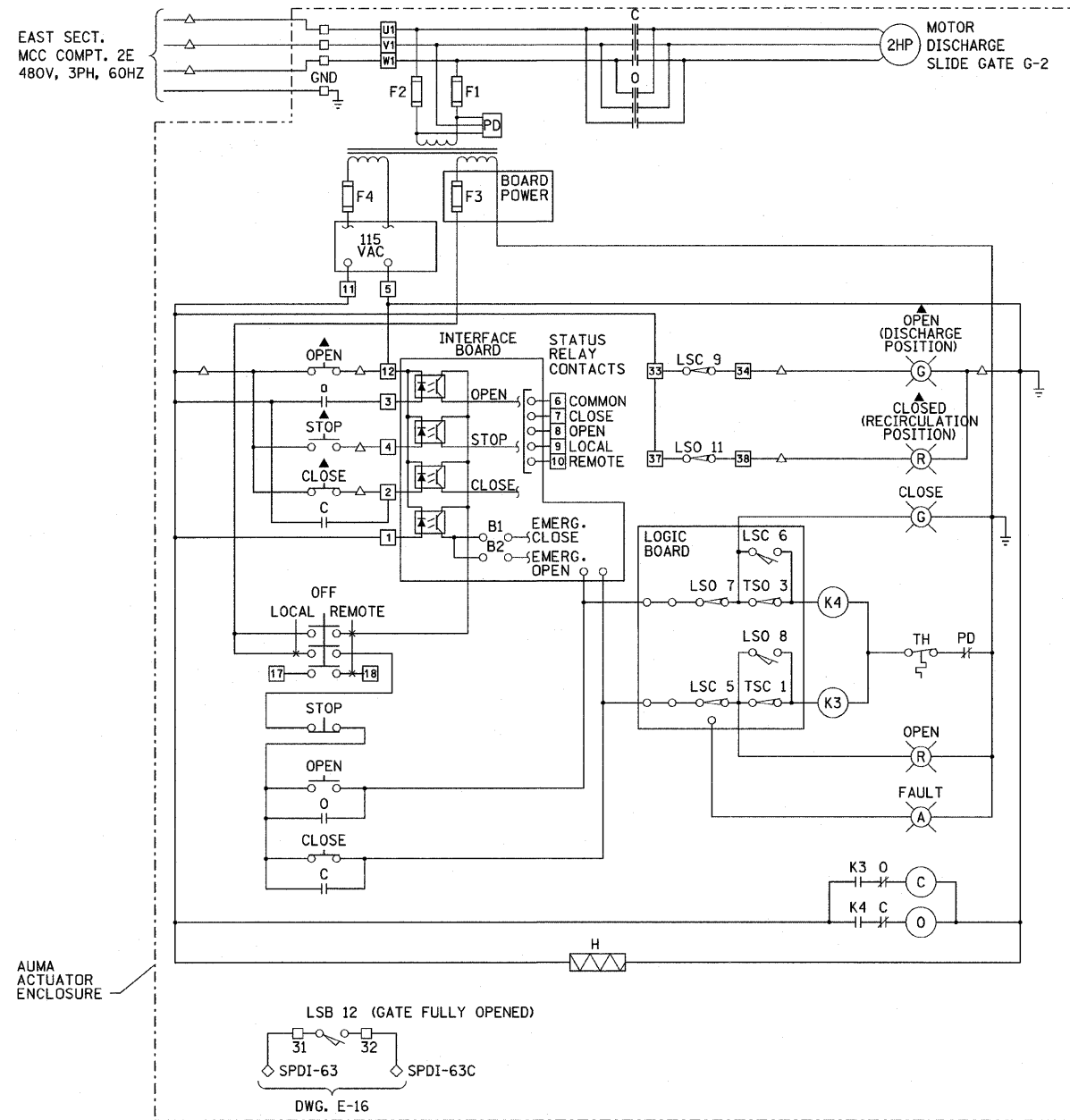


F.A.P. RTE.	SECTION	COUNTY	TOTAL SHEETS	SHEET NO.
80/94	1999-161-1	COOK	75	61
STA.		TO STA.		
FED. ROAD DIST. NO.		ILLINOIS	FED. AID PROJECT	
D-91-411-99				



RECIRCULATION KNIFE GATE VALVE ACTUATOR G-1
(VALVE SHOWN IN THE INTERMEDIATE POSITION)



DISCHARGE SLIDE GATE ACTUATOR G-2
(GATE SHOWN IN THE INTERMEDIATE POSITION)

SWITCH NUMBERS	VALVE/GATE POSITION		
	OPEN	INTERMEDIATE	CLOSE
LSC 5 (13)	█		
LSC 6 (14)		█	
LSO 7 (15)			█
LSO 8 (16)	█		
LSA 9 (17)	█		
LSA 10 (18)		█	
LSB 11 (19)			█
LSB 12 (20)		█	

(—) OPEN CONTACTS (█) CLOSE CONTACTS

(TYPICAL FOR ACTUATOR G1 & G2)

LEGEND:

- △ TERMINAL LOCATED IN MCC
- TERMINAL LOCATED IN LOCAL MOTOR STARTER
- ◇ TERMINAL LOCATED IN SCADA PANEL
- DEVICE LOCALLY MOUNTED
- ▲ DEVICE LOCATED ON MCC DOOR

NOTES:

1. ALL DEVICES MOUNTED IN MOTOR STARTER UNLESS OTHERWISE NOTED.
2. FOR EXPLOSION PROOF UNITS CONDUIT SEAL SHALL BE PLACED AS CLOSE AS PRACTICAL TO THE ACTUATOR BUT NO FURTHER THAN 18".



REVISIONS	
NAME	DATE

ILLINOIS DEPARTMENT OF TRANSPORTATION

FLOW RECIRCULATION SYSTEM CONTROL SCHEMATICS

SCALE: VERT. NO SCALE
HORIZ. NO SCALE
DATE: 3/23/2010

DRAWN BY: B.K.
CHECKED BY: M.Z.

PLOT DATE = 3/22/2010
FILE NAME = D:\60828\mty-e-19.dgn
PLOT SCALE = 1:1
USER NAME = MUSER