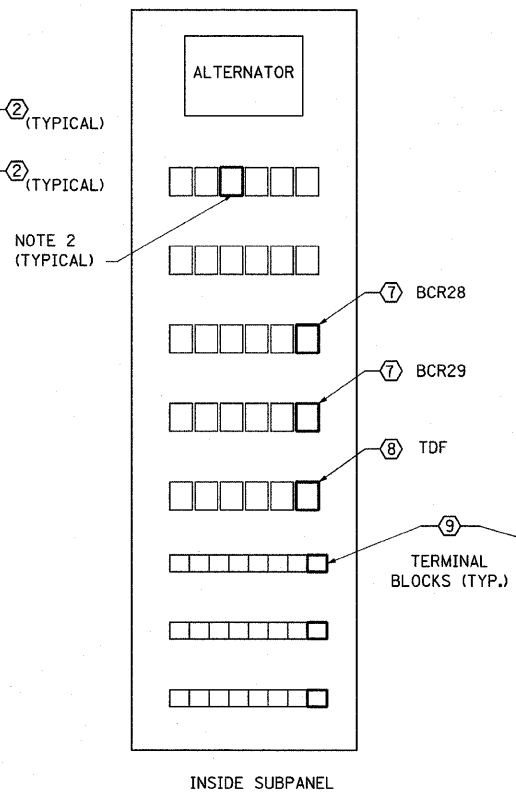
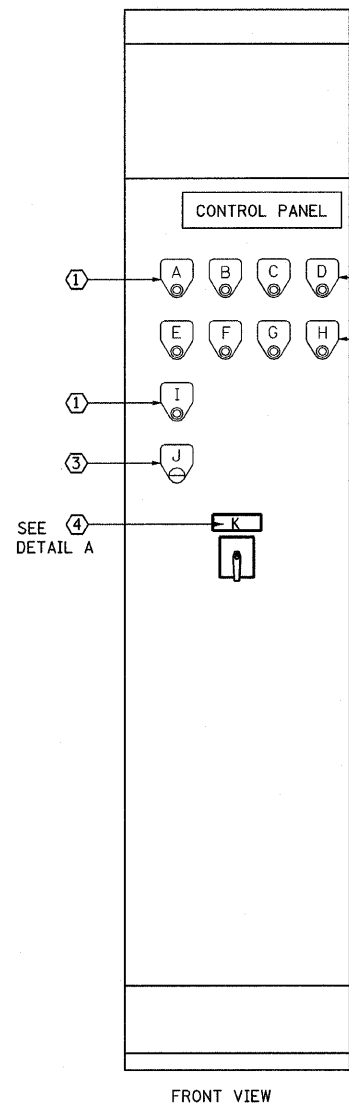
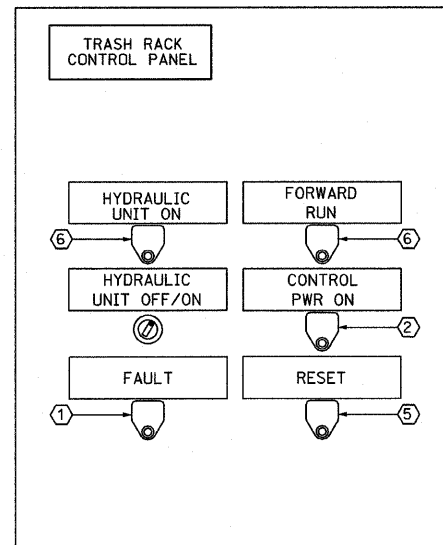
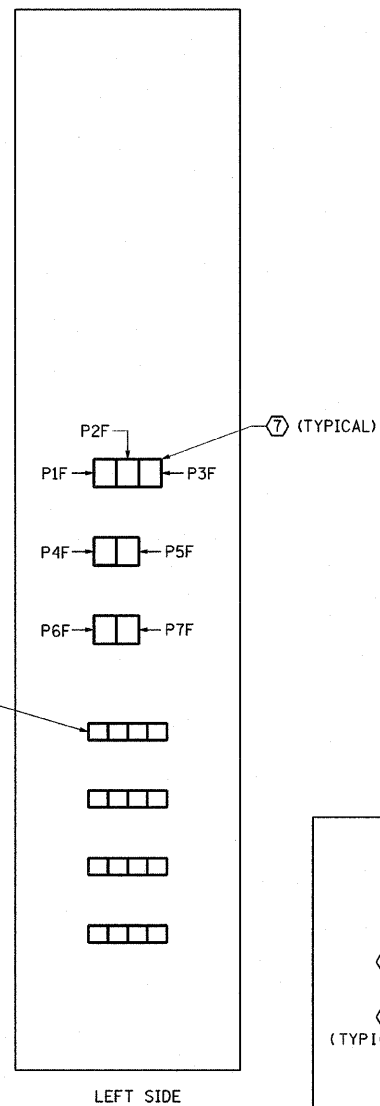


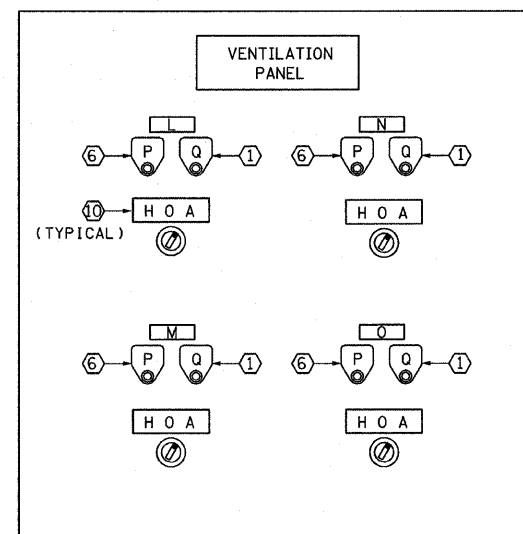
F.A.P. RTE.	SECTION	COUNTY	TOTAL SHEETS	SHEET NO.
80/34	1999-161-1	COOK	75	55
STA.		TO STA.		
FED. ROAD DIST. NO.		ILLINOIS	FED. AID PROJECT	
D-91-411-99				



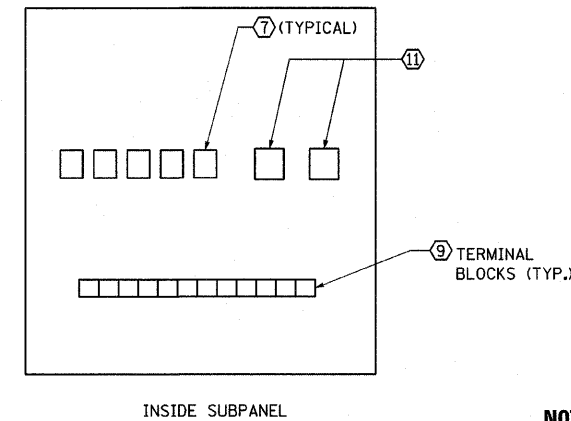
CONTROL PANEL



TRASH RACK CONTROL PANEL
TO BE SUPPLIED WITH TRASH RACK



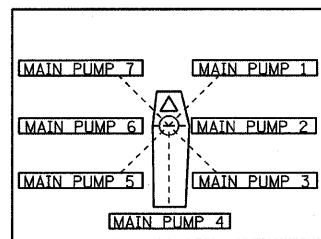
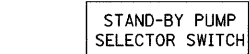
VENTILATION PANEL



DEVICE LEGEND		
ITEM	DEVICE DESCRIPTION	DEVICE COLOR
1	INDICATING LIGHT	RED
2	INDICATING LIGHT	WHITE
3	PUSH BUTTON	YELLOW
4	7 POSITION SELECTOR SWITCH	BLACK
5	PUSHBUTTON	-
6	INDICATING LIGHT	GREEN
7	CONTROL RELAY	-
8	TIME DELAY RELAY	-
9	4-PT. TERMINAL BLOCK	-
10	3 POSITION H-O-A SELECTOR SWITCH	-
11	120V AC STARTER RELAY	-

ITEM	NAME PLATE SCHEDULE	DEVICE STATUS
A	HI WATER LEVEL	EXISTING
B	LAG 5 PUMP CALLED	
C	LAG 4 PUMP CALLED	
D	LAG 3 PUMP CALLED	
E	LAG 2 PUMP CALLED	
F	LAG 1 PUMP CALLED	
G	LEAD PUMP CALLED	TO BE INSTALLED
H	LOW FLOW PUMP CALLED	
I	LOW WATER LEVEL	
J	ALARM ACKNOWLEDGE	
K	STAND-BY PUMP SELECTOR SWITCH	
L	SUPPLY FAN SF 1	
M	EXHAUST FAN EF 1	
N	SUPPLY FAN EF 2	
O	EXHAUST FAN EF 2	
P	FAN ON	
Q	FAN OFF	

- NOTES:**
- ALL NEW DEVICES TO BE INSTALLED IN CONTROL PANEL SHOWN IN BOLD.
 - THE EXISTING RELAYS BCR7 THRU BCR17 SHALL BE REPLACED BY SQUARE D INTRINSICALLY SAFE BARRIER RELAYS, CAT #NY2A21, 120V AC SINGLE CHANNEL, DUAL RELAY OUTPUT.



REVISIONS		ILLINOIS DEPARTMENT OF TRANSPORTATION
NAME	DATE	
		CONTROL, VENTILATION TRASH RACK PANELS EQUIPMENT LAYOUT SCALE: VERT. NO SCALE HORIZ. DATE: 3/23/2010 DRAWN BY: B.K. CHECKED BY: M.Z.



PLOT DATE = 3/22/2010
FILE NAME = D:\8828\88-28-11-E-13.dgn
PLOT SCALE = 1:1
USER NAME = MUSER