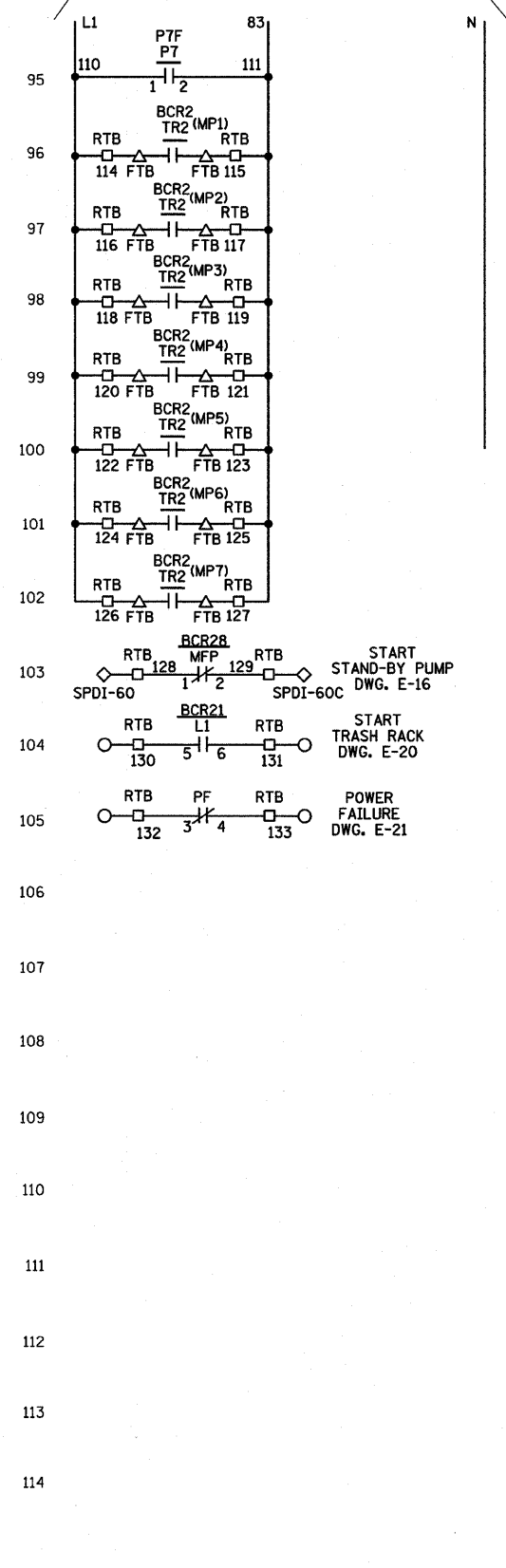
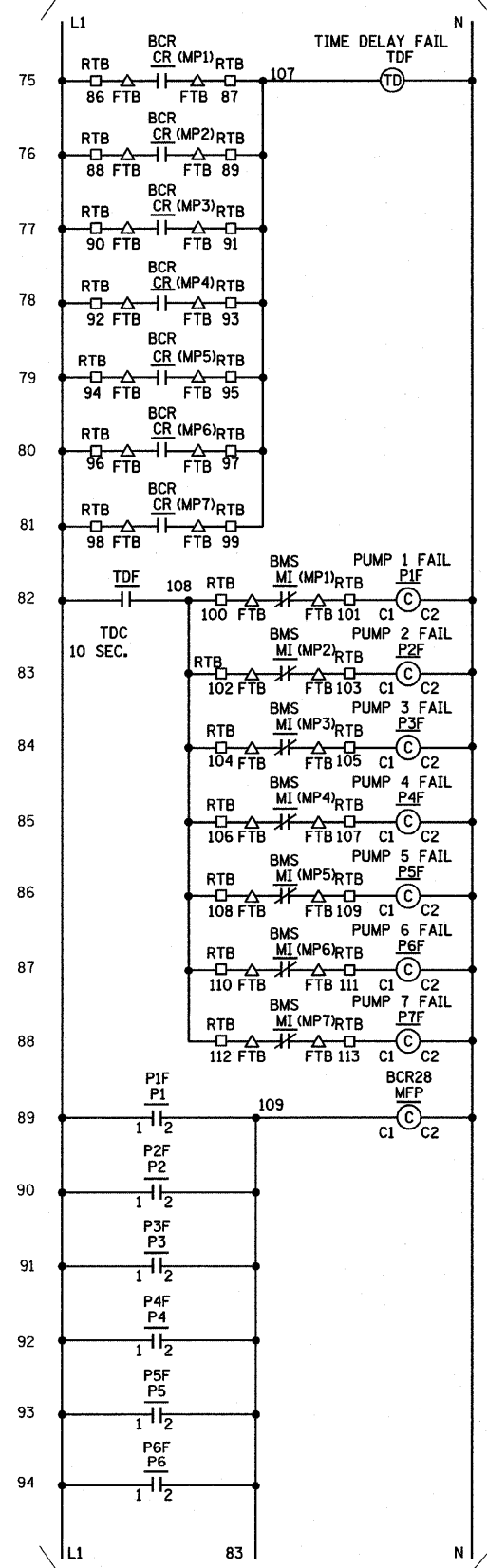


F.A.P. RTE.	SECTION	COUNTY	TOTAL SHEETS	SHEET NO.
80/94	1999-161-1	COOK	75	54
STA.		TO STA.		
FED. ROAD DIST. NO.		ILLINOIS	FED. AID PROJECT	
D-91-411-99				

CONTINUED ON DWG E-11

CONTINUED BELOW AT LEFT



DECK	CONTACTS	POSITION ENGRAVING						
		MAIN PUMP 1	MAIN PUMP 2	MAIN PUMP 3	MAIN PUMP 4	MAIN PUMP 5	MAIN PUMP 6	MAIN PUMP 7
1	11							
	12	X						
	13		X					
	14			X				
	15				X			
	16					X		
	17						X	
	18							X
8	81	X						
	82		X					
	83			X				
	84				X			
	85					X		
	86						X	
	87							X
	88							X

STAND-BY PUMP  
SELECTOR SWITCH DEVELOPMENT  
SEE DWG E-11

**LEGEND:**

- ◇ TERMINAL IN SCADA PANEL
- △ TERMINAL IN MOTOR STARTER
- TERMINAL IN CONTROL PANEL
- TERMINAL IN TRASH RACK PANEL AND IN DIGITAL DAILER CABINET

**NOTES:**

1. ALL DEVICES TO BE INSTALLED AND CHANGES TO BE MADE IN CONTROL PANEL SHOWN IN BOLD.

PLOT DATE = 3/22/2010  
FILE NAME = DISBR28-ah-E-12.dgn  
PLOT SCALE = 1:1  
USER NAME = MUSENY

CONTINUED ABOVE AT RIGHT



REVISIONS	
NAME	DATE

ILLINOIS DEPARTMENT OF TRANSPORTATION  
**CONTROL PANEL SCHEMATIC - SHEET 2**

SCALE: VERT. NO SCALE  
HORIZ. NO SCALE  
DATE: 3/23/2010

DRAWN BY: B.K.  
CHECKED BY: M.Z.