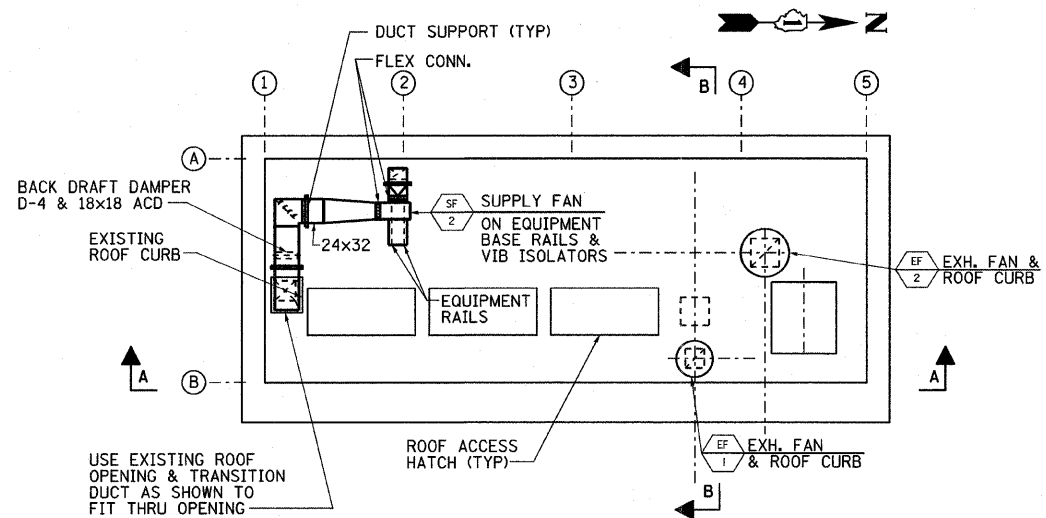
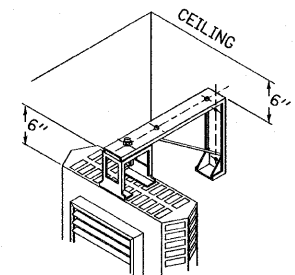


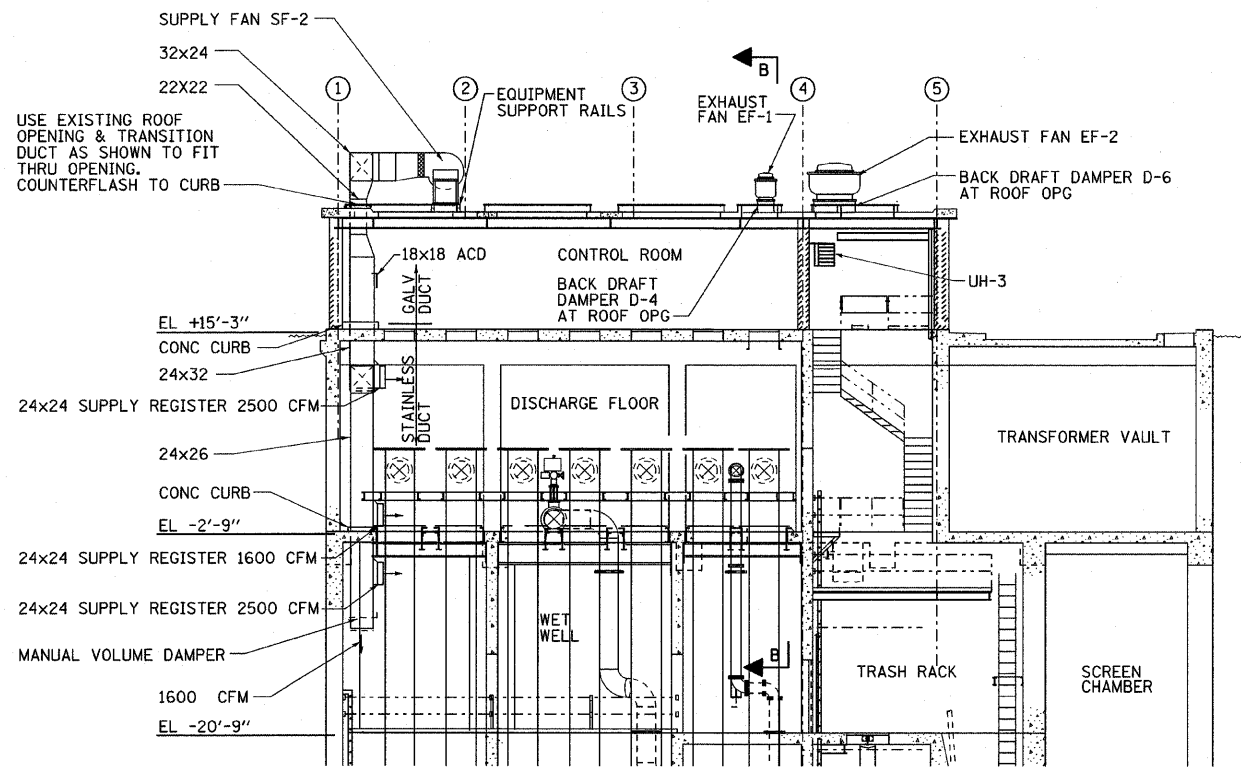
PLAN AT EL +15'-3"



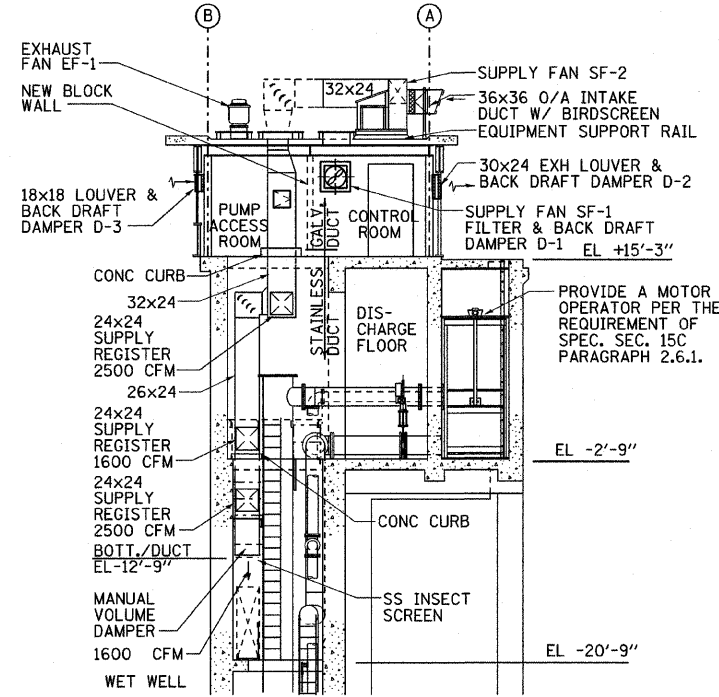
ROOF PLAN



UNIT HEATER MOUNTING DETAIL



SECTION A-A (LOOKING WEST)



SECTION B-B (LOOKING SOUTH)

**VENTILATION CONTROL SEQUENCE**  
(REFERENCE DRAWING E-9)

**MCC CONTROL ROOM VENTILATION**

THE SUPPLY FAN SF-1 SHALL BE SUPPLIED WITH A "HAND-OFF-AUTO" (HOA) SWITCH. THE FAN WILL RUN CONTINUOUSLY WHEN SWITCHED TO "HAND". THE FAN WILL NOT RUN WHEN SWITCHED TO "OFF". WHEN IN "AUTO", THE FAN WILL RUN WHEN THE ROOM THERMOSTAT REACHES THE SETPOINT 85 DEG F. THE FAN STARTER WILL ALSO OPEN THE FAN DAMPER D-1 AND THE EXHAUST DAMPER D-2.

**LOWER LEVEL/WET WELL VENTILATION**

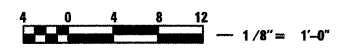
THE SUPPLY FAN SF-2 AND EXHAUST FAN EF-2 SHALL BE SUPPLIED WITH "HAND-OFF-AUTO" (HOA) SWITCHES. THE FANS WILL RUN CONTINUOUSLY WHEN SWITCHED TO "HAND". THE FANS WILL NOT RUN WHEN SWITCHED TO "OFF". WHEN IN "AUTO", THE FANS WILL RUN EITHER WHEN ROOM THERMOSTAT REACHES SETPOINT (30 DEG C, 85 DEG F), OR WHEN LIGHTS IN THE WET WELL ARE SWITCHED ON, OR WHEN COMBUSTIBLE GAS IS DETECTED (25% OF L.E.L.). THE FAN DAMPERS D-5 AND D-6 WILL OPEN AUTOMATICALLY WHEN THEIR RESPECTIVE FANS ARE STARTED.

**PUMP ACCESS ROOM**

EXHAUST FAN EF-1 SHALL BE SUPPLIED WITH A "HAND-OFF-AUTO" (HOA) SWITCH. THE FAN WILL RUN CONTINUOUSLY WHEN SWITCHED TO "HAND". THE FAN WILL NOT RUN WHEN SWITCHED TO "OFF". WHEN IN "AUTO", THE FAN WILL RUN EITHER WHEN THE ROOM THERMOSTAT REACHES SETPOINT (30 DEG C, 85 DEG F), OR WHEN COMBUSTIBLE GAS IS DETECTED (25% OF L.E.L.). DAMPERS D-3 & D-4 WILL OPEN AUTOMATICALLY WHEN THE FAN STARTS.

**NOTES:**

- SUPPLY REGISTERS TO BE TITUS MODEL300-FL OR EQUIVALENT, ALUMINUM CONSTRUCTION.



REVISIONS	
NAME	DATE

ILLINOIS DEPARTMENT OF TRANSPORTATION  
**HEATING & VENTILATION - PLANS & DETAILS**

SCALE: VERT. 1/8"=1'-0"  
HORIZ. 1/8"=1'-0"

DATE: 3/23/2010

DRAWN BY: R.D.  
CHECKED BY: A.M.

PLOT DATE = 3/22/2010  
FILE NAME = D:\60828\1999-161-1\H-06.dwg  
PLOT SCALE = 1/8"  
USER NAME = MUSEPH