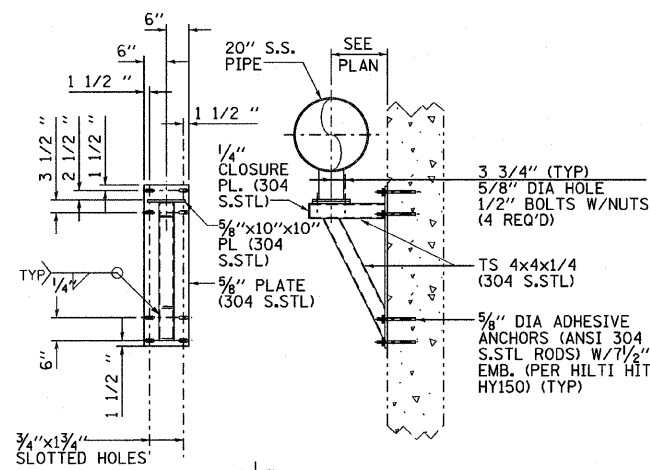
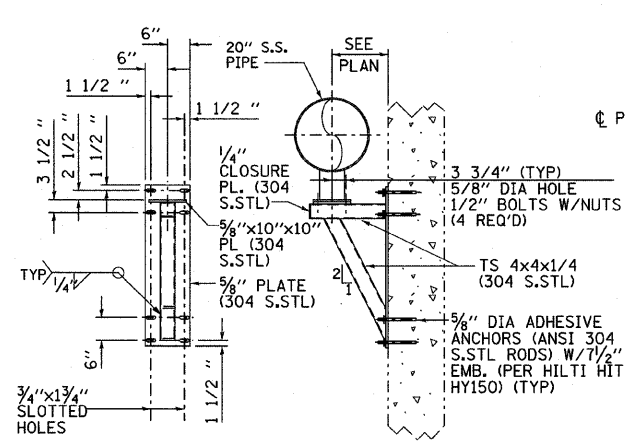


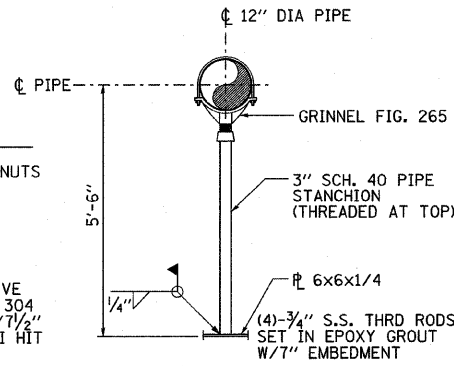
F.A.P. RTE.	SECTION	COUNTY	TOTAL SHEETS	SHEET NO.
90/94	1999-161-1	COOK	75	39
STA.		TO STA.		
FED. ROAD DIST. NO.		ILLINOIS FED. AID PROJECT		
D-91-411-99				



**20" PIPE SUPPORT RI-6**

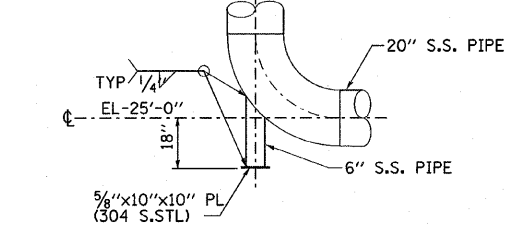


**12" PIPE SUPPORT LF-5**

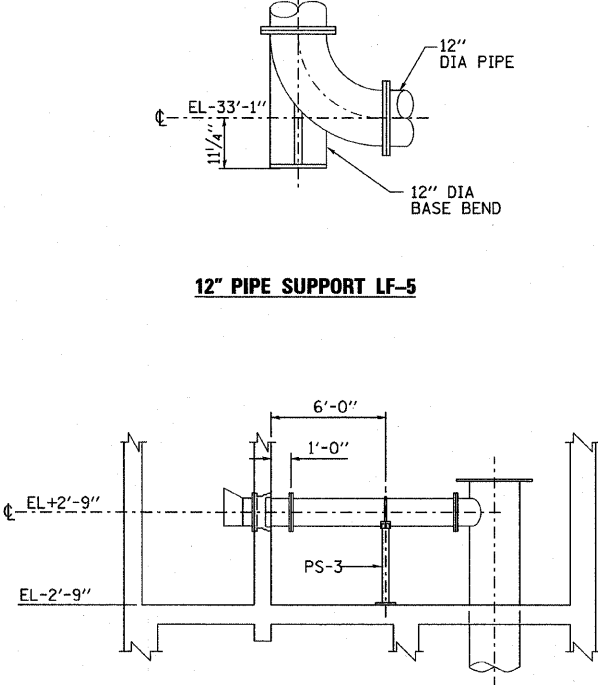


**PIPE SUPPORT LF-1**  
(1) REQ'D

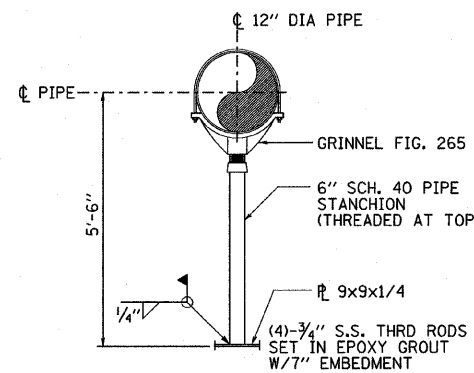
IDOT PUMP STATION 26 HANGER SCHEDULE				RI = RECIRCULATION PIPING DI = DISCHARGE PIPING LF = LOW FLOW PUMP PIPING					
HANGER NO.	DETAIL NO.	PIPE SIZE	DRAWING NOS.	ELEVATION	FLOOR/WALL	TYPE	TYPE	HARDWARE	LOAD (LBS)
DI-1	PIPE SUPPORT DI-1 THRU 7	20"	M-2 M-3 M-6	-2'-9"	FLOOR	VERTICAL	PIPE STANCHION	GRINNELL FIG. 265	1546
DI-2	PIPE SUPPORT DI-1 THRU 7	20"	M-2 M-3 M-6	-2'-9"	FLOOR	VERTICAL	PIPE STANCHION	GRINNELL FIG. 265	1546
DI-3	PIPE SUPPORT DI-1 THRU 7	20"	M-2 M-3 M-6	-2'-9"	FLOOR	VERTICAL	PIPE STANCHION	GRINNELL FIG. 265	1546
DI-4	PIPE SUPPORT DI-1 THRU 7	20"	M-2 M-3 M-6	-2'-9"	FLOOR	VERTICAL	PIPE STANCHION	GRINNELL FIG. 265	1546
DI-5	PIPE SUPPORT DI-1 THRU 7	20"	M-2 M-3 M-6	-2'-9"	FLOOR	VERTICAL	PIPE STANCHION	GRINNELL FIG. 265	1546
DI-6	PIPE SUPPORT DI-1 THRU 7	20"	M-2 M-3 M-6	-2'-9"	FLOOR	VERTICAL	PIPE STANCHION	GRINNELL FIG. 265	1546
DI-7	PIPE SUPPORT DI-1 THRU 7	20"	M-2 M-3 M-6	-2'-9"	FLOOR	VERTICAL	PIPE STANCHION	GRINNELL FIG. 265	1546
LF-1	PIPE SUPPORT LF-1	12"	M-2 M-3 M-6	-2'-9"	FLOOR	VERTICAL	PIPE STANCHION	GRINNELL FIG. 265	1124
LF-2	PIPE GUIDES LF-2, 4 & 6	12"	M-2 M-3 M-6	-2'-9"	FLOOR	GUIDE	CLAMP	GRINNELL FIG. 261	0
LF-3		12"	M-2 M-3 M-6	-17'-9"	WALL	ANCHOR	BASE ELL ANCHOR	P 6-30, 6-32 AMERICAN PIPE CATALOG	3756
LF-4	PIPE GUIDES LF-2, 4 & 6	12"	M-2 M-3 M-6	-20'-9"	FLOOR	GUIDE	CLAMP	GRINNELL FIG. 261	0
LF-5		12"	M-2 M-3 M-6	-33'-0"	WALL	ANCHOR	BASE ELL ANCHOR	P 6-30, 6-32 AMERICAN PIPE CATALOG	5023
LF-6	PIPE GUIDES LF-2, 4 & 6	12"	M-2 M-3 M-6	-35'-0"	WALL	HORIZONTAL	LATERAL RESTRAINT	GRINNELL FIG. 261	0
LF-7	PUMP VENDOR DRAWING	12"	12" KSE 75-6T, S-4	-39'-3"	FLOOR	ANCHOR	PUMP BASE	PUMP VENDOR	0
RI-1	PIPE SHOE RI-1	20"	M-3 M-6	-2'-9"	FLOOR	VERTICAL	PIPE SHOE		14625
RI-3	PIPE GUIDES RI-3, 4 & 6	20"	M-2 M-3 M-6	-10'-9"	WALL	GUIDE	CLAMP	GRINNELL FIG. 261	0
RI-4	PIPE GUIDES RI-3, 4 & 6	20"	M-2 M-3 M-6	-18'-9"	WALL	GUIDE	CLAMP	GRINNELL FIG. 261	0
RI-5		20"		-26'-9"	WALL	ANCHOR	BASE ELL ANCHOR	P 6-30, 6-32 AMERICAN PIPE CATALOG	14625
RI-6	PIPE GUIDES RI-3, 4 & 6	20"	M-2 M-3 M-6	-34'-9"	WALL	GUIDE + VERTICAL	CLAMP WITH SHEAR LUGS	GRINNELL FIG. 261	0



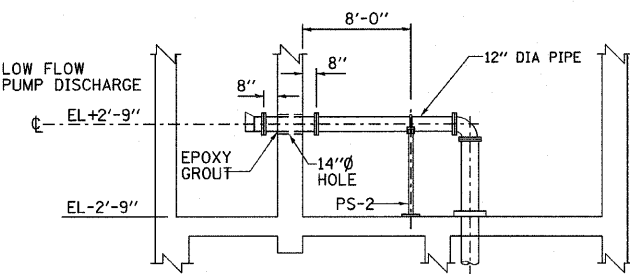
**ELEVATION G-G**



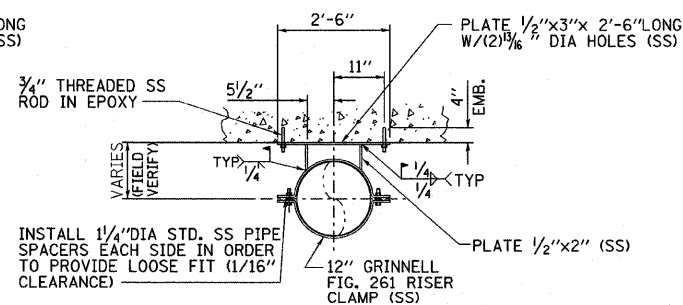
**ELEVATION H-H**



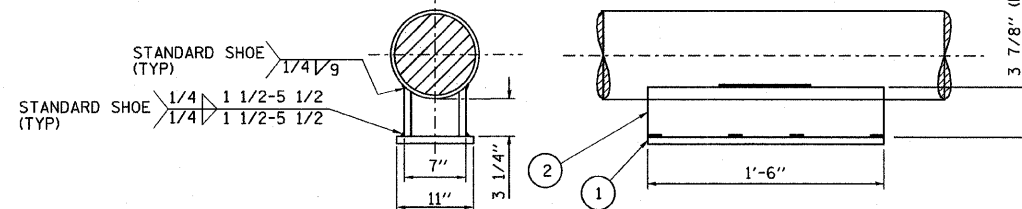
**PIPE SUPPORT DI-1 THRU 7**  
(7) REQ'D



**20" PIPE GUIDES**  
RI-3, 4 & 6



**12" PIPE GUIDES**  
(LF-2, 4 & 6)



- 1 1/2"x11"x1'-6" CARBON STEEL PLATE, A-36
- 2 1/2"x1'-6" CARBON STEEL PLATE, A-36

**20" PIPE SHOE**  
RI-1

REVISIONS	
NAME	DATE

ILLINOIS DEPARTMENT OF TRANSPORTATION

**PIPE SUPPORT & DETAILS**

SCALE: VERT. NO SCALE  
DATE: 3/23/2010

DRAWN BY: R.D  
CHECKED BY: A.M.



PLOT DATE = 3/22/2010  
FILE NAME = D:\60828-161-1-N-96.dgn  
PLOT SCALE = 1:2  
USER NAME = MUSER