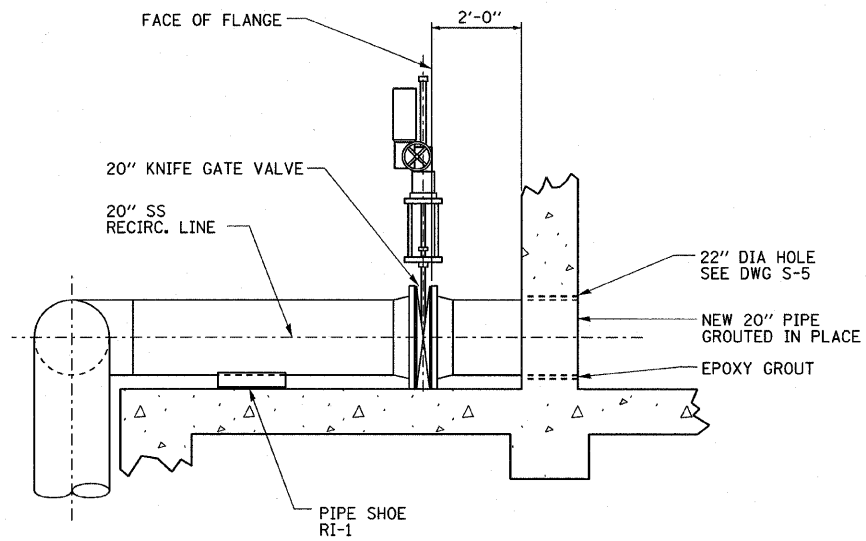
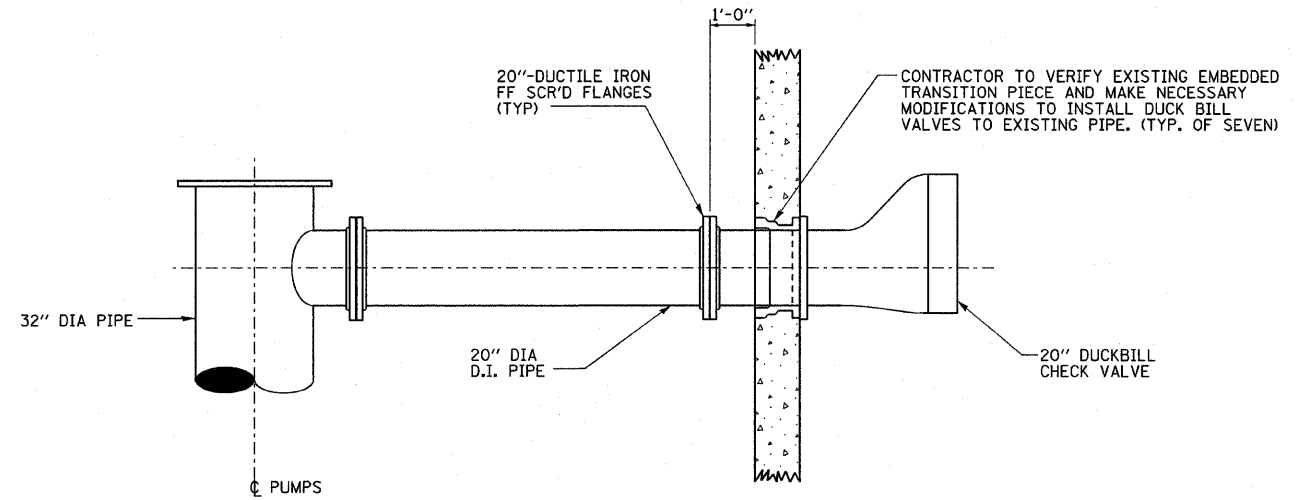


F.A.P. RTE.	SECTION	COUNTY	TOTAL SHEETS	SHEET NO.
90/94	1999-161-1	COOK	75	38
STA.		TO STA.		
FED. ROAD DIST. NO.		ILLINOIS	FED. AID PROJECT	
D-91-411-99				



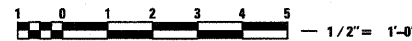
SECTION D-D
M-3



SECTION C-C
M-3

- NOTES:**
1. FOR GENERAL NOTES SEE DWG M-1.

PLOT DATE = 3/22/2010
FILE NAME = D:\60828-ah\m-5.dgn
PLOT SCALE = 1/2"
USER NAME = MUSER



REVISIONS	
NAME	DATE

ILLINOIS DEPARTMENT OF TRANSPORTATION
PIPE DETAILS
SCALE: VERT. 1/2"=1'-0"
 HORIZ. 1/2"=1'-0"
DATE: 3/23/2010
DRAWN BY: R.D
CHECKED BY: A.M.