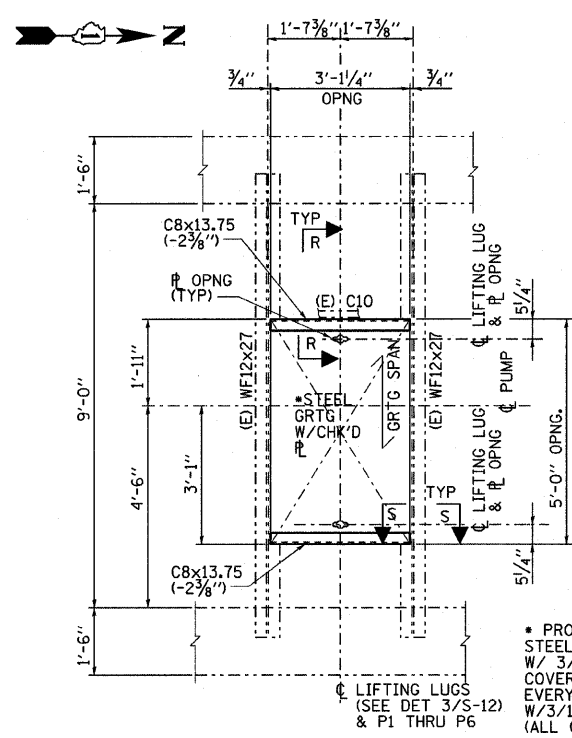
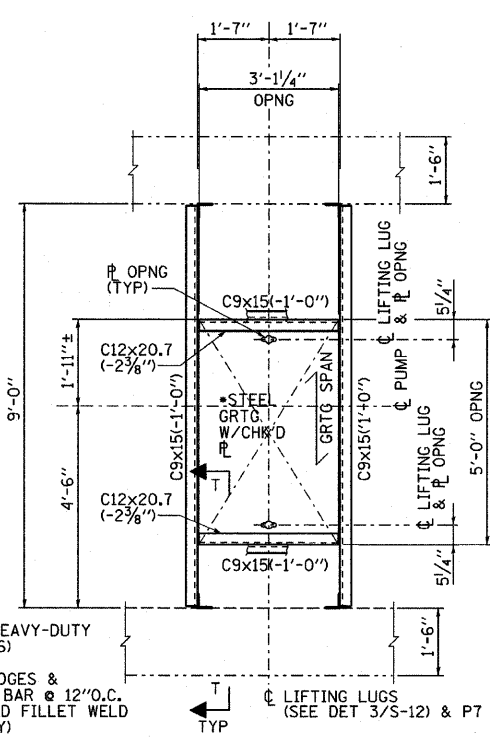


F.A.P. RTE.	SECTION	COUNTY	TOTAL SHEETS	SHEET NO.
90/94	1999-161-1	COOK	75	29
STA.		TO STA.		
FED. ROAD DIST. NO.		ILLINOIS FED. AID PROJECT		
D-91-411-99				

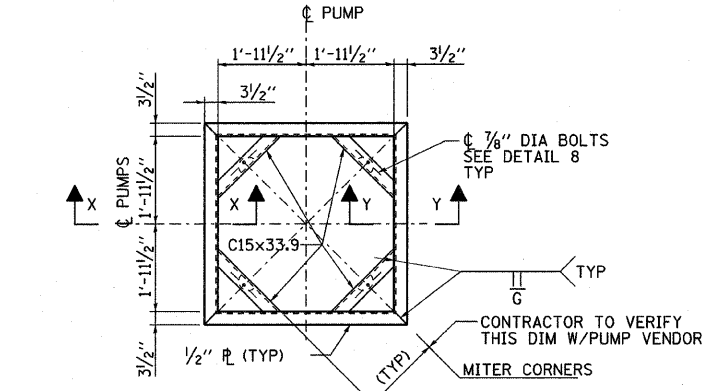


ENLARGED PLAN EL+15'-3" (S-6)
FLOOR CLOSURE P 1 THRU P6

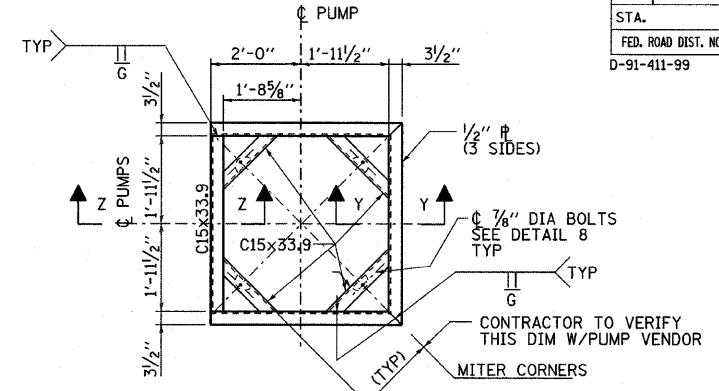


ENLARGED PLAN EL+15'-3" (S-6)
FLOOR CLOSURE P7

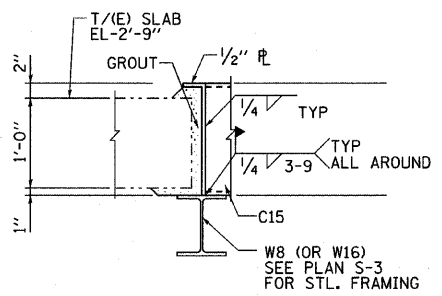
• PROVIDE 2"x3/8" HEAVY-DUTY STEEL GRG (22-4-86) W/ 3/8" CHK'D PL. COVER WELDED TO EDGES & EVERY 6th BEARING BAR @ 12" O.C. W/ 3/16"x1" STAGGERED FILLET WELD (ALL GALV. ASSEMBLY)



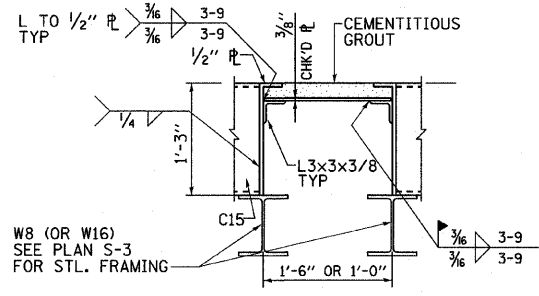
ENLARGED PLAN EL-2'-9" (S-6)
CASING SUPPORT P1, P4 (AS SHOWN) & P7 (OPP. HAND)



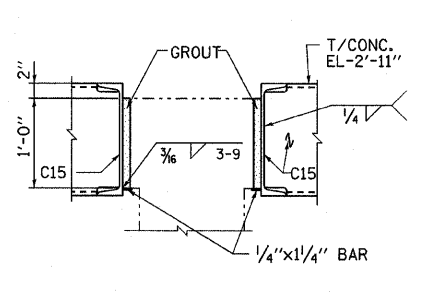
ENLARGED PLAN EL-2'-9" S-6
CASING SUPPORT P3 & P6 (AS SHOWN) CASING SUPPORT P2 & P5 (OPP. HAND)



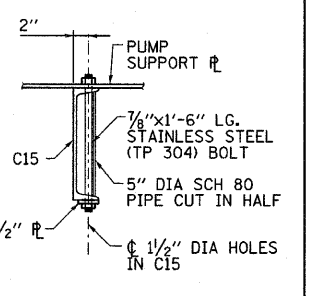
SECTION X-X



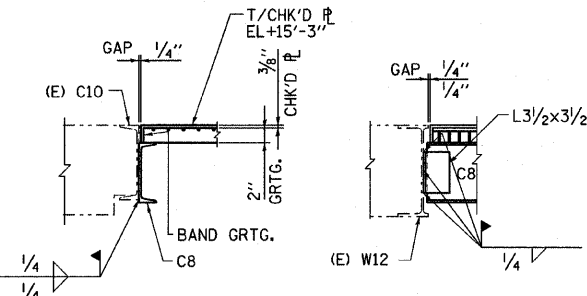
SECTION Y-Y



SECTION Z-Z

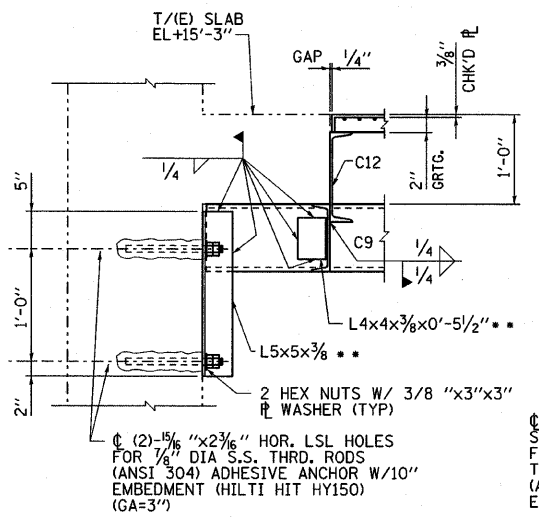


DETAIL 8

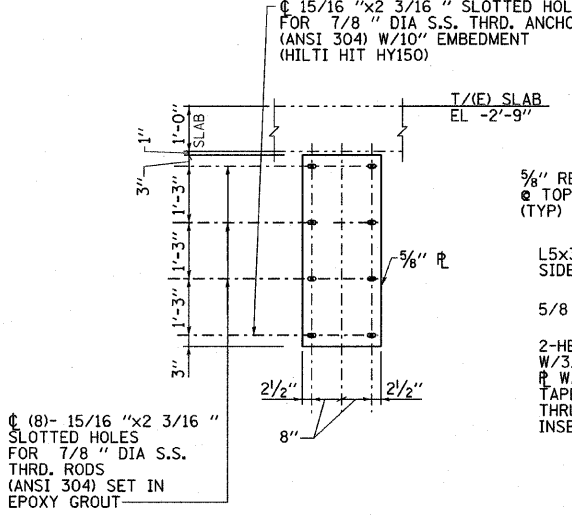


SECTION R-R

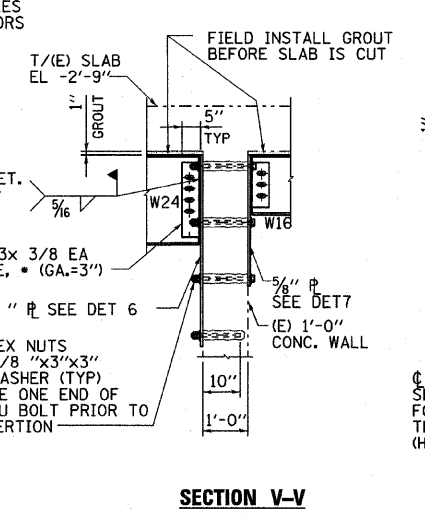
SECTION S-S



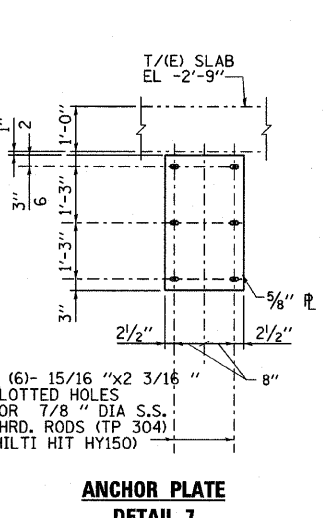
SECTION T-T



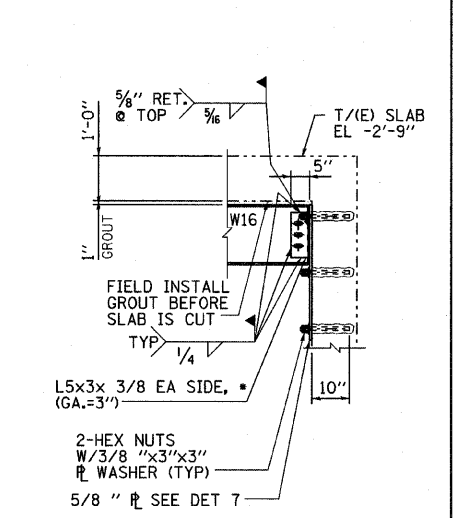
ANCHOR PLATE DETAIL 6
(4 PLACES)



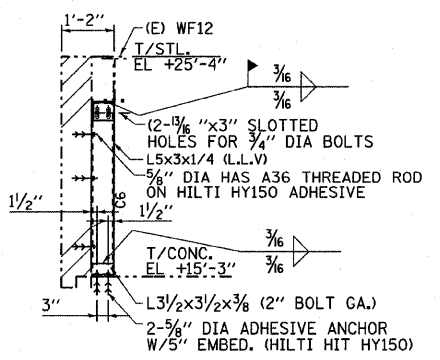
SECTION V-V
(4 PLACES, S-6)



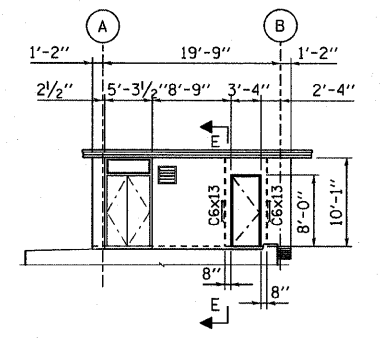
ANCHOR PLATE DETAIL 7
(8 PLACES)



SECTION W-W
(4 PLACES, S-6)



SECTION E-E (S-6)



SOUTH ELEVATION - SECTION C (S-6)

• PROVIDE HORIZ. SLOTTED HLS. & ERECTION BOLTS AS REQ'D

GENERAL NOTES:

- FOR STRUCTURAL GENERAL NOTES SEE DWG. S-1 AND S-2.
- ALL WORK ON THIS DRAWING SHALL FALL UNDER PAY ITEM "PUMP STATION GENERAL WORK".

850 West Higgins Road, Suite 730, Chicago, Illinois 60633-2001
www.stanleygroup.com
Whole Firm Registration No. 04-00533

REVISIONS	
NAME	DATE

ILLINOIS DEPARTMENT OF TRANSPORTATION

FLOOR OPENING CLOSURES & CASING SUPPORT DETAILS

SCALE: VERT. NO SCALE
HORIZ. DATE: 3/23/2010

DRAWN BY: A.T.
CHECKED BY: A.N.

DATE: 3/22/2010
FILE NAME: D:\B2020-MA-5-10.dgn
PLOT SCALE: 1/2"
USER NAME: #USER#