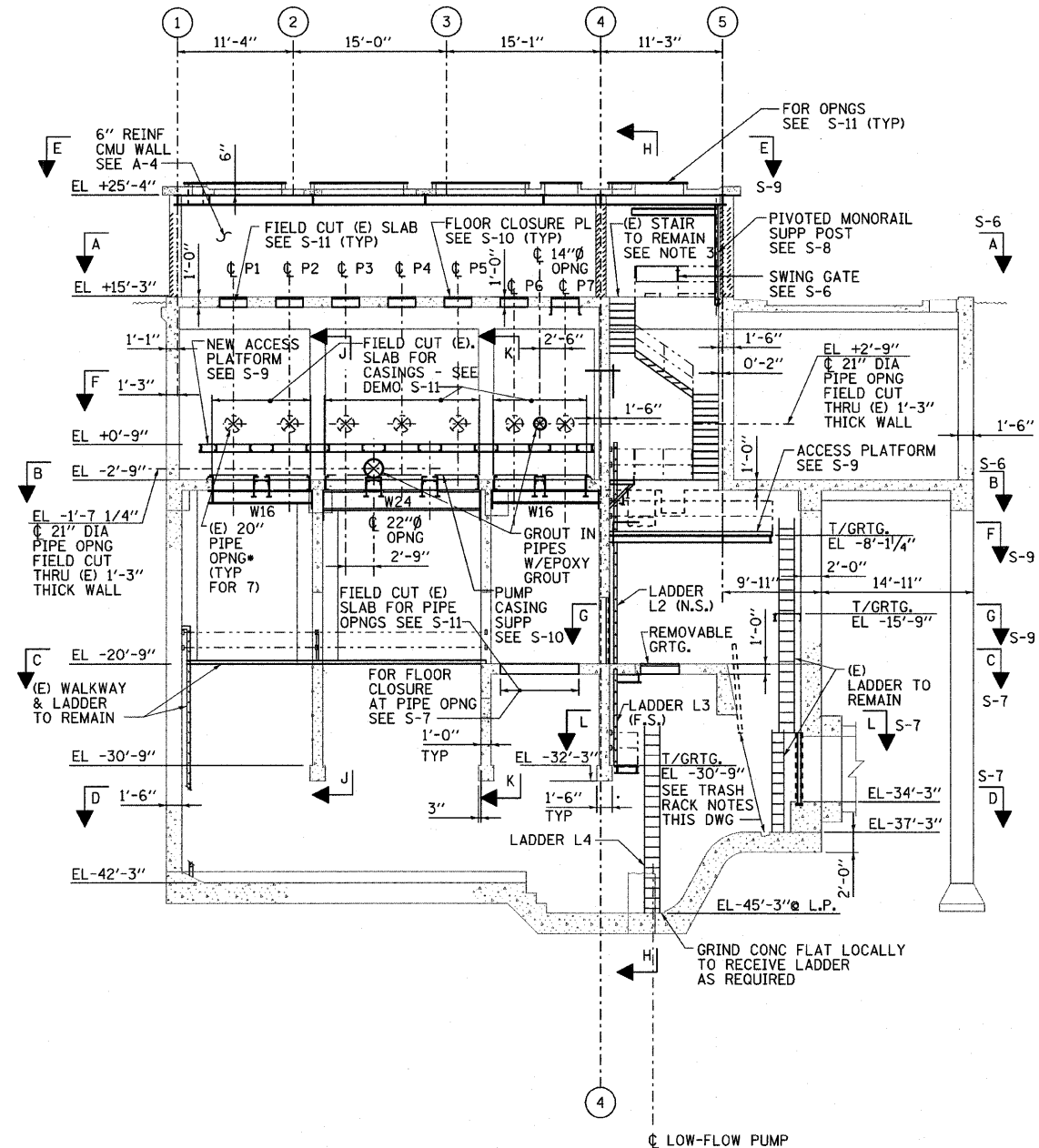
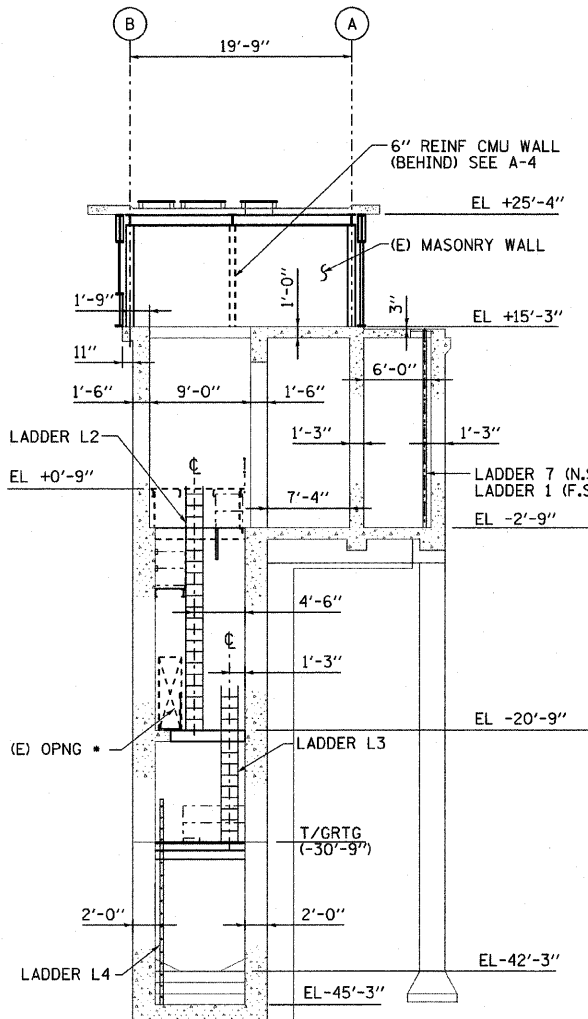


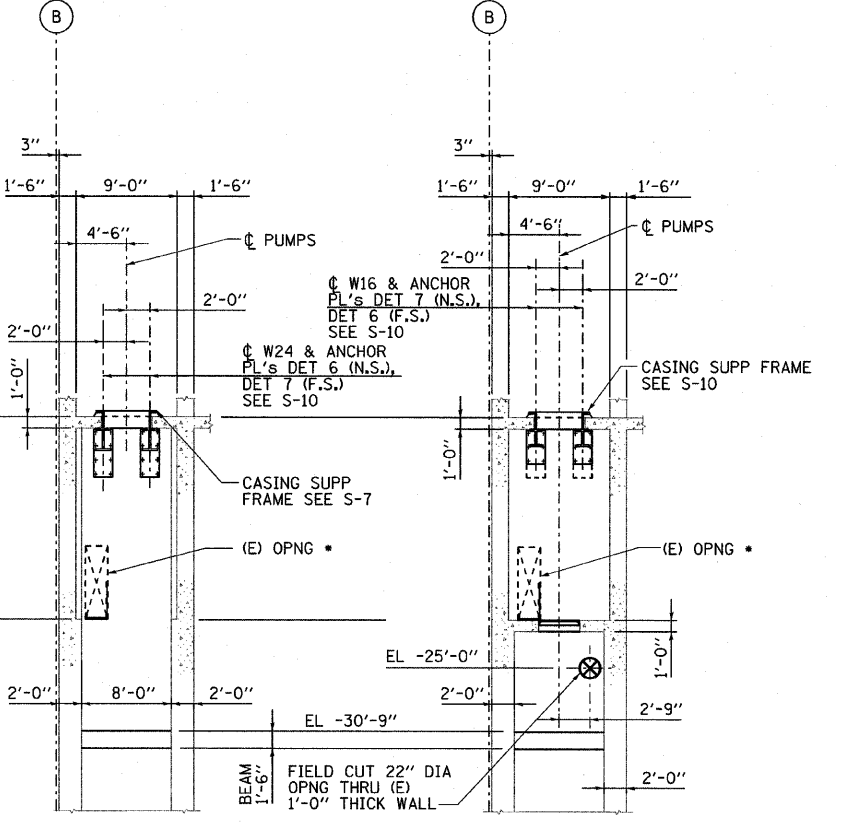
F.A.P. RTE.	SECTION	COUNTY	TOTAL SHEETS	SHEET NO.
90/94	1999-161-1	COOK	75	24
STA.		TO STA.		
FED. ROAD DIST. NO.	ILLINOIS	FED. AID PROJECT		
D-91-411-99				



SECTION G-G
(S-6)
(LOOKING WEST)



SECTION H-H
(LOOKING SOUTH)
(E) STAIR NOT SHOWN FOR CLARITY



SECTION J-J
(LOOKING SOUTH)

SECTION K-K
(LOOKING SOUTH)

TRASH RACK NOTES:

1. CONTRACTOR SHALL FIELD MEASURE THE DIAMETER OF TRASH RAKE MOUNTING BOLT HOLES.
2. PROVE ANSI 304 S.S. THREAD RODS ASSEMBLY W/6" EMB. PER HILTI HIT HY 150.
3. THREAD RODS DIAMETER = MEASURED BOLT HOLE DIAMETER MINUS 1/16".
4. PATCH UP THE (E) BASE SLOT WITH CONCRETE AS REQ'D (I.E. ROUGHEN THE (E) SURFACE AND APPLY BONDING AGENT).

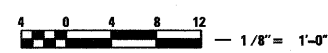
GENERAL NOTES:

1. FOR STRUCTURAL GENERAL NOTES SEE DWG. S-1 AND S-2.
2. ALL WORK ON THIS DRAWING SHALL FALL UNDER PAY ITEM "PUMP STATION GENERAL WORK".
3. CONTRACTOR MAY NEED TO TEMPORARILY REMOVE EXISTING STAIRS BETWEEN EL +15'-3" AND EL -2'-9" FOR INSTALLATION OF TRASH RACK. CONTRACTOR SHALL COORDINATE ALL TEMPORARY MODIFICATIONS AS REQUIRED FOR INSTALLATION OF TRASH RACK. ANY TEMPORARILY REMOVED ITEMS SHALL BE RE-INSTALLED IN THEIR ORIGINAL CONDITION AND REPAIRED IF ANY DAMAGE WAS INCURRED.

NOTE:

FOR OPENING SYMBOL SEE DWG S-11.

PLOT DATE = 3/22/2010
FILE NAME = D:\60828\199-161-1\199-161-1.dgn
PLOT SCALE = 1/8"
USER NAME = WJUSER



REVISIONS	
NAME	DATE

ILLINOIS DEPARTMENT OF TRANSPORTATION
STRUCTURAL SECTIONS
SCALE: VERT. 1/8"=1'-0"
HORIZ. 1/8"=1'-0"
DATE: 3/23/2010
DRAWN BY: A.T.
CHECKED BY: A.N.