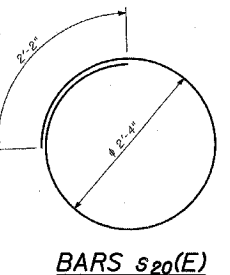
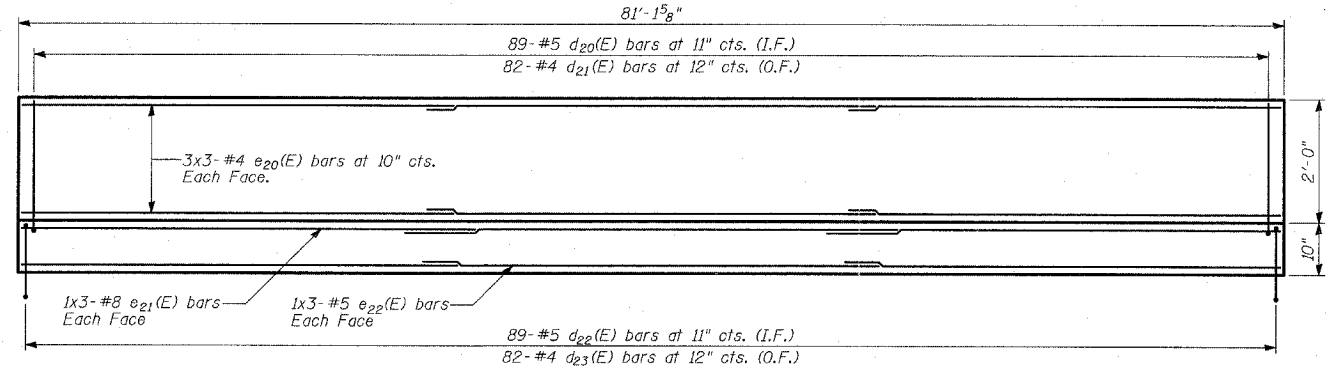


Bar	A	B	C
a29(E)	17'-4"	1'-3"	11'-4"
a31(E)	6'-7"	6"	4"



BILL OF MATERIAL

Bar	No.	Size	Length	Shape
a20(E)	134	#4	6'-8"	U
a21(E)	134	#4	5'-8"	U
a22(E)	26	#6	17'-1"	U
a23(E)	11	#6	21'-11"	U
a24(E)	43	#6	34'-10"	U
a25(E)	21	#6	37'-5"	U
a26(E)	162	#6	24'-2"	U
a27(E)	11	#6	37'-2"	U
a28(E)	65	#5	31'-5"	U
a29(E)	250	#9	18'-7"	U
a30(E)	52	#4	11'-1"	U
a31(E)	104	#4	6'-11"	U
a32(E)	4	#6	16'-0"	U
a33(E)	2	#5	33'-6"	U
b20(E)	5	#5	34'-2"	U
b21(E)	6	#5	32'-4"	U
b22(E)	17	#5	23'-8"	U
b23(E)	4	#5	26'-4"	U
b24(E)	15	#4	23'-0"	U
b25(E)	51	#5	33'-11"	U
b26(E)	10	#4	22'-2"	U
b27(E)	17	#5	10'-11"	U
d20(E)	89	#5	3'-0"	U
d21(E)	82	#4	3'-0"	U
d22(E)	89	#5	3'-2"	U
d23(E)	82	#4	3'-1"	U
e20(E)	18	#4	28'-1"	U
e21(E)	6	#8	29'-11"	U
e22(E)	6	#5	28'-5"	U
h20(E)	24	#5	34'-2"	U
h21(E)	24	#5	23'-10"	U
h22(E)	48	#5	32'-8"	U
h23(E)	48	#5	22'-1"	U
h24(E)	8	#5	6'-3"	U
h25(E)	8	#5	3'-0"	U
s20(E)	1	#5	9'-6"	O
Reinforcement Bars, Epoxy Coated		POUND	40,490	
Bridge Approach Pavement, Special		SQ YD	197	
Bridge Approach Pavement Connector, Special		SQ YD	384	
Bar Splicers		EACH	87	
Protective Coat		SQ YD	645	

TYLIN INTERNATIONAL

*INSIDE ELEVATION OF WEST PARAPET

* Parapet dimensions are measured at the inside face of parapet

NOTES:

- O.F. - denotes Outside Face
- I.F. - denotes Inside Face

REVISIONS	
NAME	DATE

ILLINOIS DEPARTMENT OF TRANSPORTATION
 F.A.I. 94 (DAN RYAN EXPRESSWAY)
 BRIDGE APPROACH PAVEMENT (SPECIAL)
 NORTH - DETAIL 2

S.N. DESIGNED BY: MAF
 SCALE: NTS DRAWN BY: MAF
 DATE: MARCH 7, 2006 CHECKED BY: MI