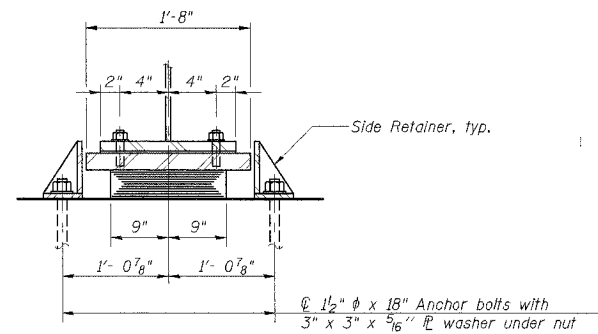
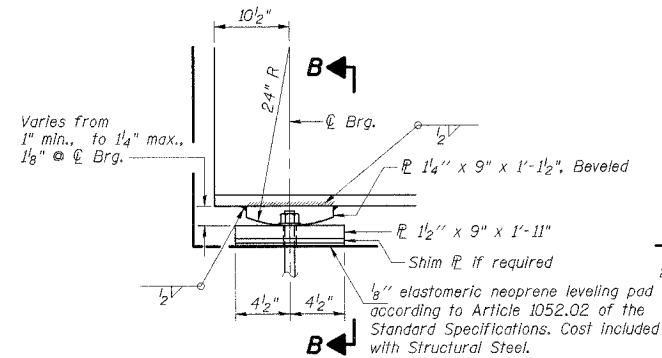


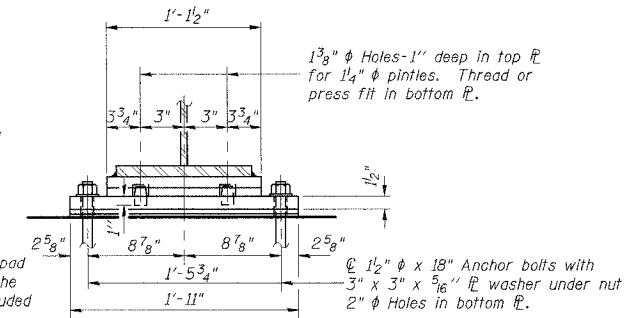
ELEVATION AT NORTH ABUT.



SECTION A-A



ELEVATION AT SOUTH ABUT.



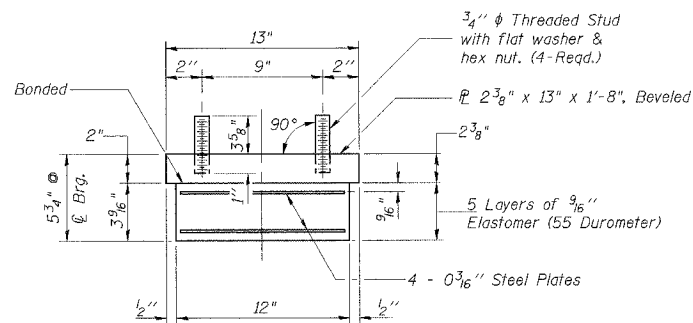
SECTION B-B

TYPE I ELASTOMERIC EXP. BRG.

Notes: Anchor bolts at fixed bearings may be built into the masonry.

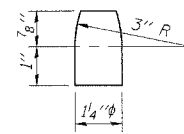
FIXED BEARING

No. Required = 8

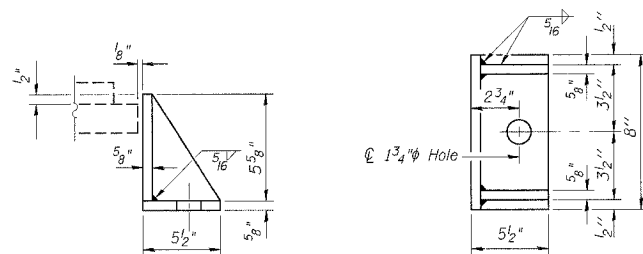


BEARING ASSEMBLY

Note: Shim plates shall not be placed under Bearing Assembly.



PINTLE
(M270, Gr. 50)



SIDE RETAINER

Equivalent rolled angle with stiffeners will be allowed in lieu of welded plates. Weight included with Structural Steel.

BILL OF MATERIAL

Item	Unit	Total
Erecting Elastomeric Bearing Assembly Type I	Each	8

Notes:

- The orientation of the bearings in the field shall be coordinated with the slope of the girders.
- All threaded studs shall be AASHTO M164 (A325).
- All steel bearing plates shall be AASHTO M270 Grade 50.
- The fixed steel bearings including the shim plates shall be included with Structural Steel.
- Structural Steel and Elastomeric Bearings shall be fabricated and erected under separate contracts and shall be paid for according to the Special Provisions Furnishing Structural Steel and Elastomeric Bearings and Sections 503 and 505 of the Standard Specifications.
- Anchor bolts furnished and installed by the erection Contractor as part of the erection contract.

SHT. S-019

REVISIONS	
NAME	DATE

ILLINOIS DEPARTMENT OF TRANSPORTATION
F.A.I. ROUTE 57 (INTERSTATE 57)
I-57 NB OVER WB CONNECTOR
SN 016-0072 OLD, SN 016-2852 NEW
STA. 238+73.54
COOK COUNTY, SECTION (1516.1, 1717, & 1818) R-4
BEARING DETAILS

DATE: 03/07/06
DRAWN BY: VV
CHECKED BY: RDS

TENG
TENG & ASSOCIATES, INC.
ENGINEERS/ARCHITECTS/PLANNERS
205 N. MICHIGAN AVE., CHICAGO, IL 60601
TELEPHONE: 312.644.0000