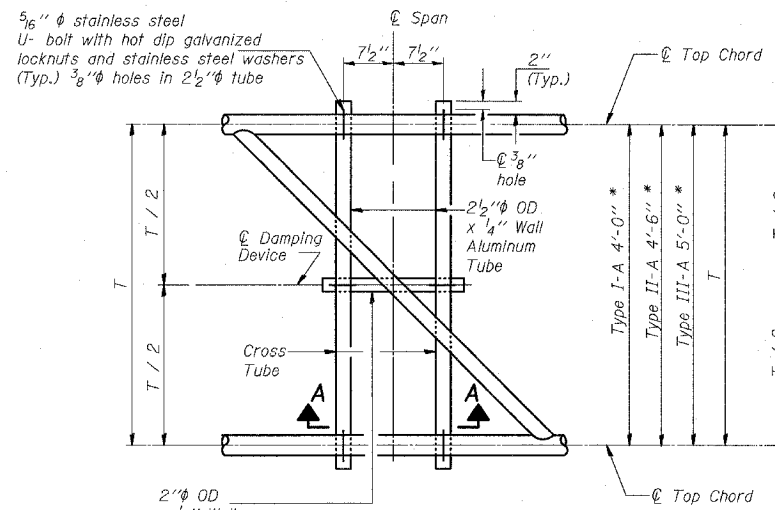
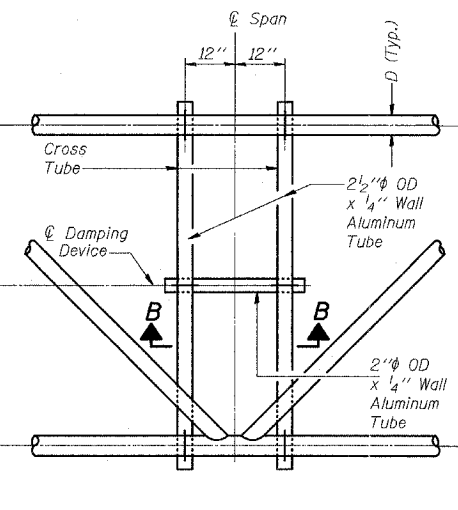


STATE OF ILLINOIS  
DEPARTMENT OF TRANSPORTATION

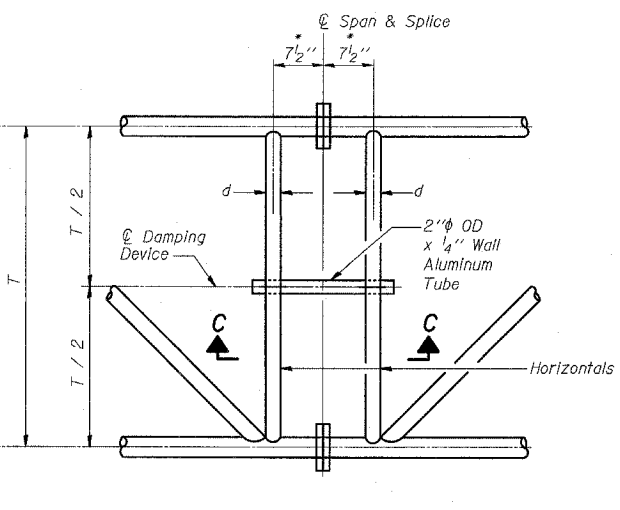
\* Center of horizontal to center of splice dimension may vary. Verify before drilling holes in mounting tube.



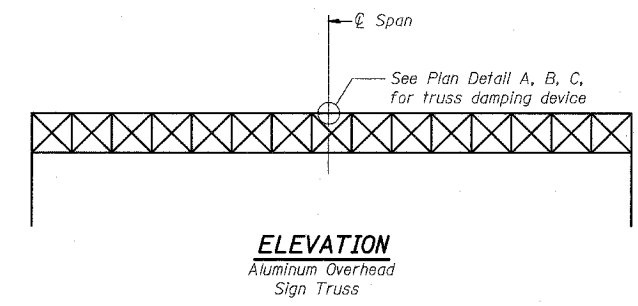
**PLAN DETAIL "A"**  
Span Between Panel Points



**PLAN DETAIL "B"**  
Span at Panel Point



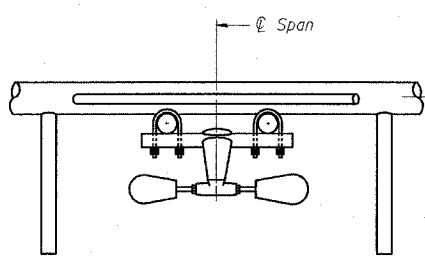
**PLAN DETAIL "C"**  
Span at Chord Splice



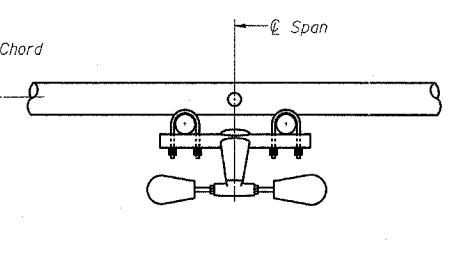
**ELEVATION**  
Aluminum Overhead Sign Truss

**NOTES**

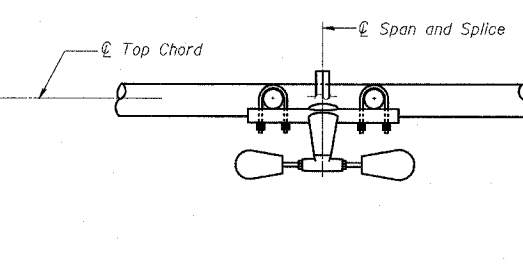
Damper: One damper per truss.  
(31 lbs. Stockbridge-Type Aluminum)  
Cost included in "Overhead Sign Structure..."  
Materials: Aluminum tubes shall be ASTM B221 alloy 6061 temper T6. Cost included in "Overhead Sign Structure..."



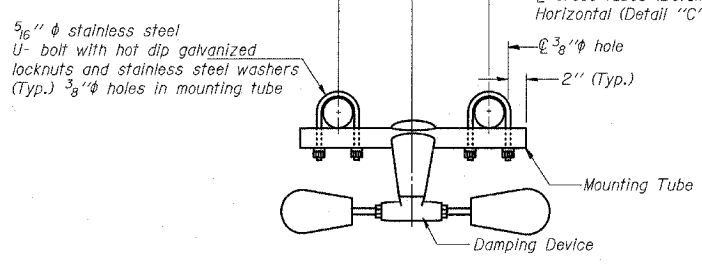
**SECTION A-A**



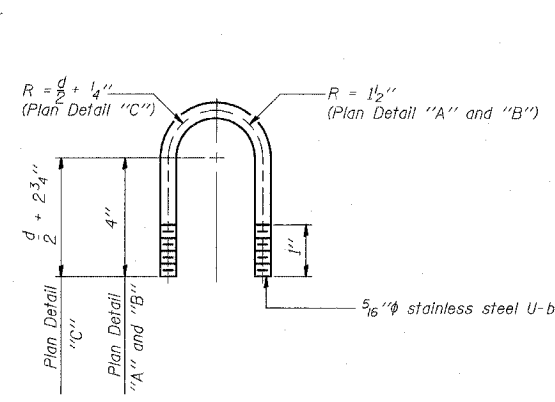
**SECTION B-B**



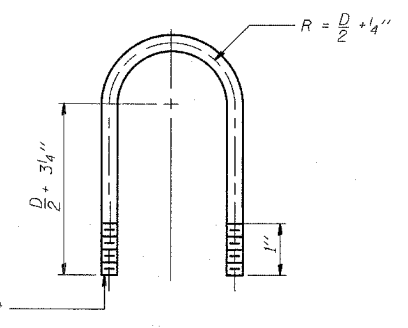
**SECTION C-C**



**TRUSS DAMPING DEVICE CONNECTION DETAIL**  
(Typical)



**DAMPING DEVICE MOUNTING TUBE U-BOLT DETAIL**  
(Typical)



**TOP CHORD TO CROSS TUBE U-BOLT DETAIL**  
(Typical - Detail "A" and "B")

DESIGNED	20
CHECKED	EXAMINED
DRAWN	PASSED
CHECKED	ENGINEER OF BRIDGES AND STRUCTURES

OS-A-D 11/1/2002

**INCLUDED FOR INFORMATION ONLY.  
SHEET ORIGINALLY IN CONTRACT 62694.**

TYLIN INTERNATIONAL

REVISIONS	
NAME	DATE

ILLINOIS DEPARTMENT OF TRANSPORTATION  
F.A.I. 94 (DAN RYAN EXPRESSWAY)  
  
OVERHEAD SIGN STRUCTURES  
DAMPING DEVICE  
  
SCALE: AS NOTED  
DATE: MARCH 18, 2005  
DRAWN BY: AMB  
CHECKED BY: TB