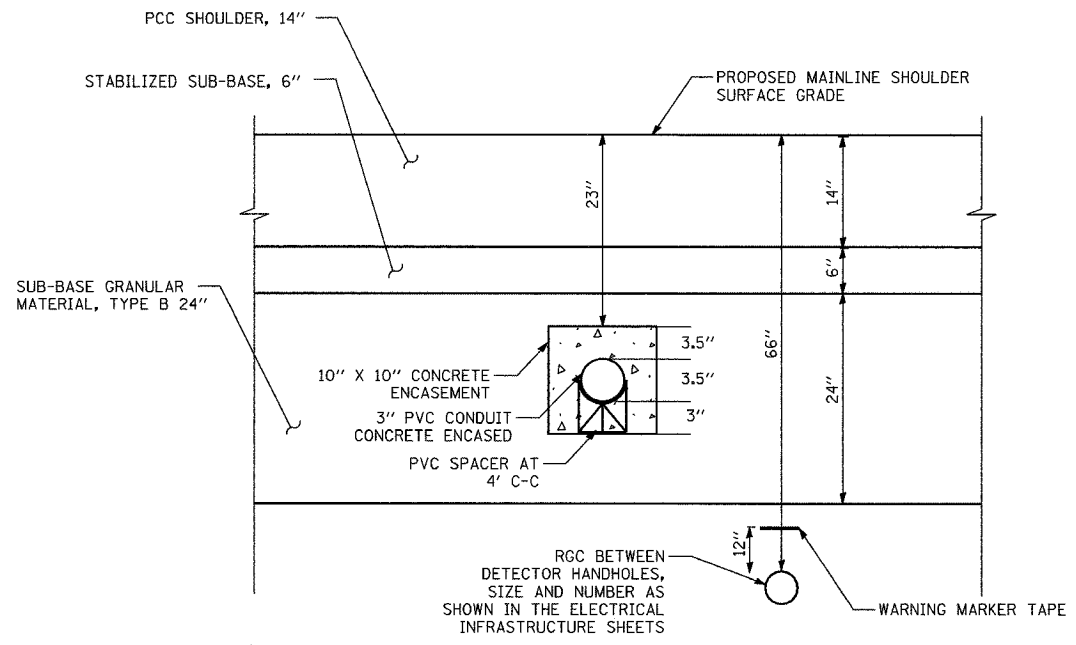
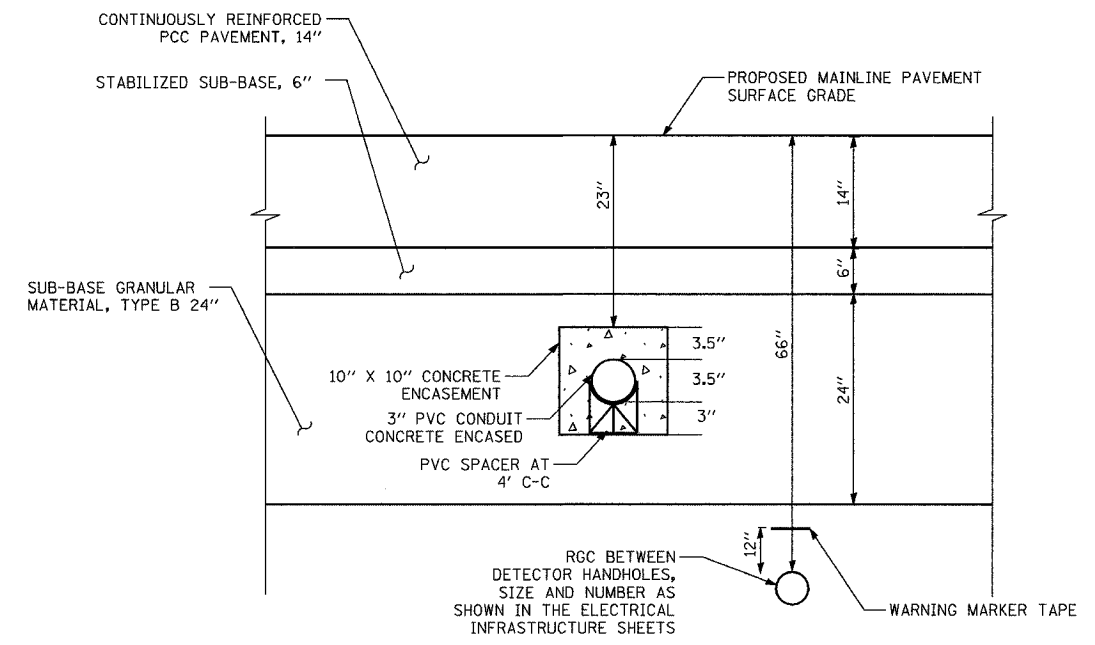


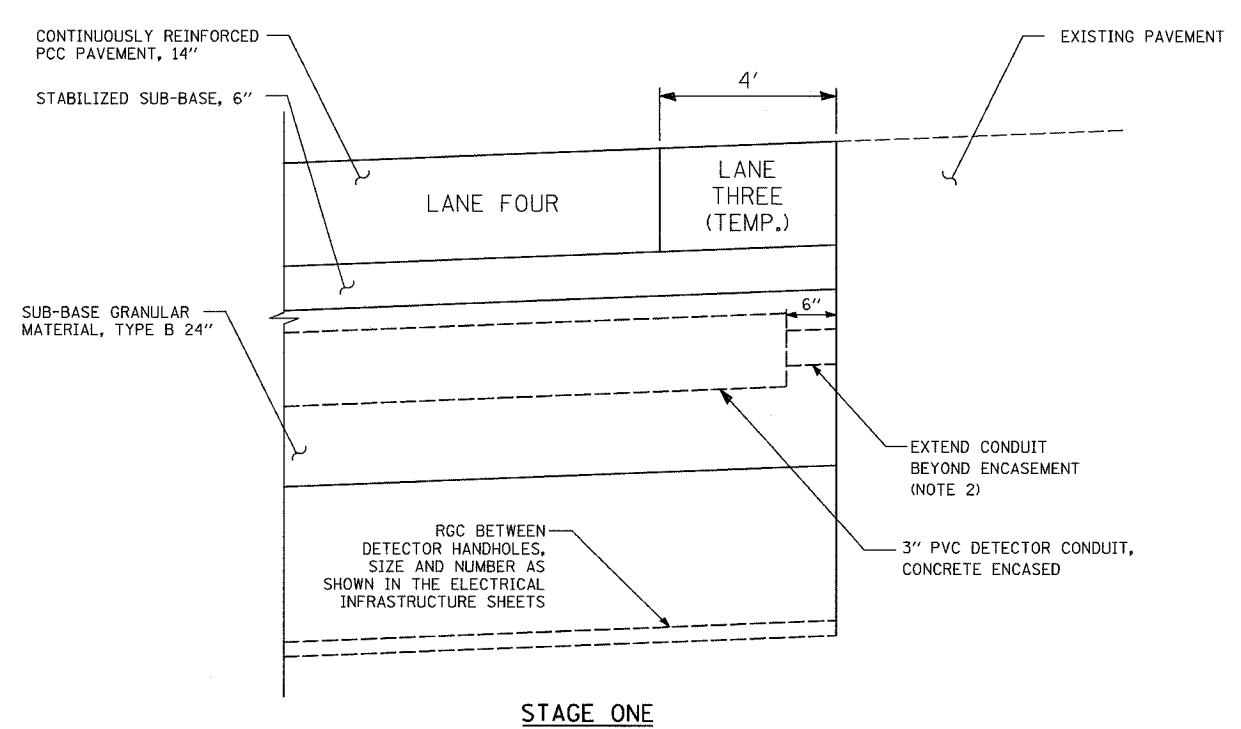
F.A.I. RTE.	SECTION	COUNTY	TOTAL SHEETS	SHEET NO.
94	*	COOK	9/16	522
STA.		TO STA.		
FED. ROAD DIST. NO.	ILLINOIS	FED. AID PROJECT		
* (1516.1, 1717, & 1818) R-4		62304		



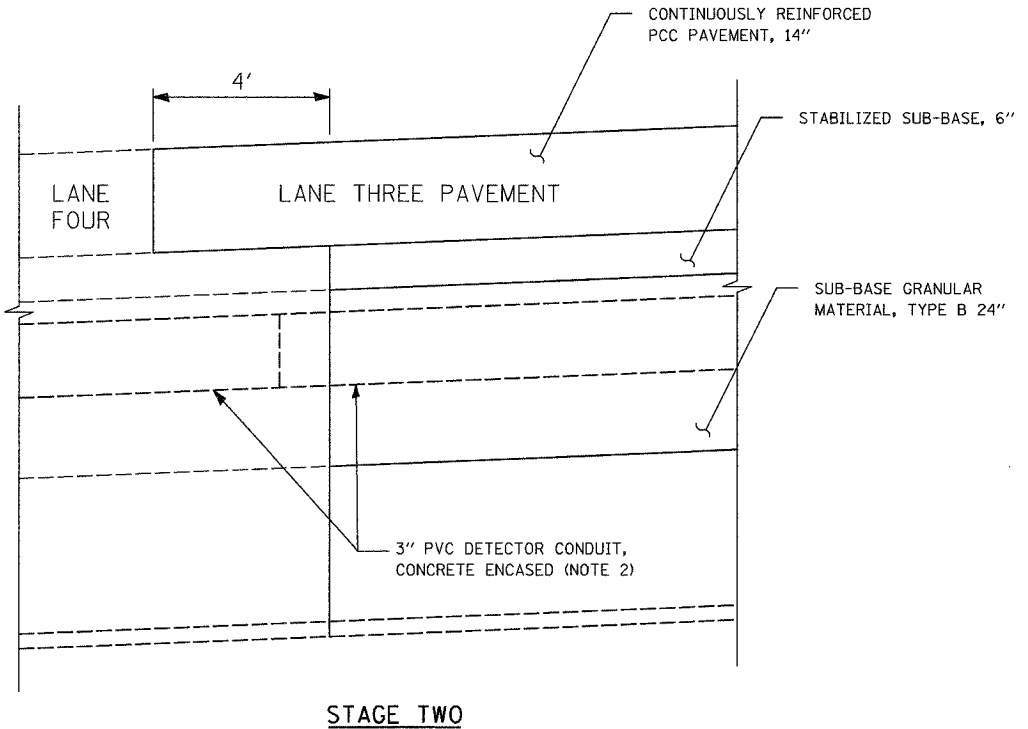
**TYPICAL DETECTOR CONDUIT INSTALLATION  
IN MAINLINE SHOULDER: SECTION B-B**



**TYPICAL DETECTOR CONDUIT INSTALLATION  
IN MAINLINE PAVEMENT: SECTION C-C**



**STAGE ONE**



**STAGE TWO**

**TWO-STAGE DETECTOR CONDUIT INSTALLATION DETAIL  
(FOR APPLICABLE LOCATIONS, SEE SHEET EI-115)**

- NOTES:**
- CONTRACTOR MUST VERIFY THE DETECTOR CONDUIT STRAIGHTNESS ACCORDING TO THE CONTRACT SPECIFICATIONS BEFORE THE CONCRETE ENCASEMENT IS INSTALLED.
  - DURING STAGE ONE, CONDUIT TO BE CAPPED AND MARKED FOR FUTURE STAGE CONNECTION. IN STAGE TWO, CONNECT 3" PVC DETECTOR CONDUITS WITH CONDUIT SLEEVE. ALIGNMENT OF THE CONDUIT INSTALLED IN THE TWO STAGES SHALL NOT DEVIATE MORE THAN 1/4" PER FOOT OVER THE COURSE OF THE CONDUIT INSTALLED IN LANES 3, 4, AND 5.

**SINGH** 300 W. ADAMS ST.  
CHICAGO, IL 60606  
SINGH & ASSOCIATES, INC. TEL: (312) 629-0240  
CONSULTING ENGINEERS FAX: (312) 629-8449

REVISIONS	
NAME	DATE

ILLINOIS DEPARTMENT OF TRANSPORTATION  
F.A.I. 94 (DAN RYAN EXPRESSWAY)

**TYPICAL MAINLINE DETECTOR  
INSTALLATION DETAIL (SHEET 2 OF 2)**

SCALE: NONE DRAWN BY: NB  
DATE: MARCH 7, 2006 CHECKED BY: MJL

20/EI-110A

j:\N75\contract 20 details\620.ai\001.dwg 3/7/2006 3:49:25 PM