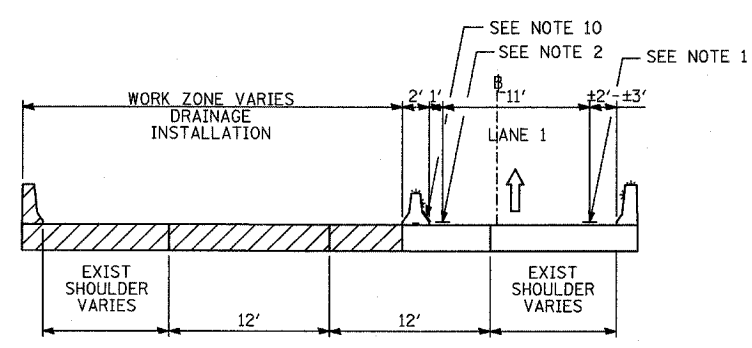


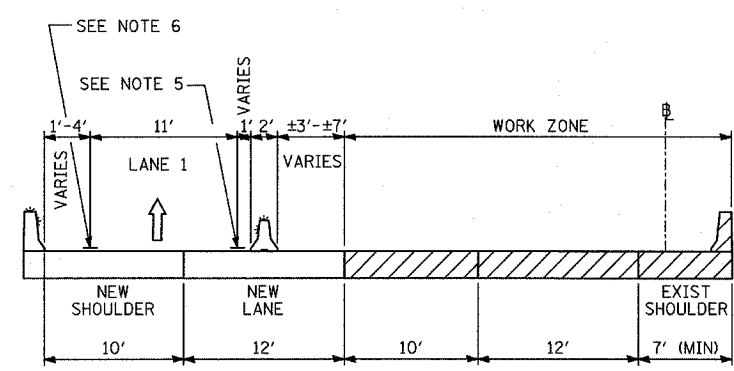
FF-FF

STAGE 2: NB I-57; STA. 232+89 TO STA. 235+77  
 STAGE 2: NB I-57; STA. 240+93 TO STA. 248+30  
 STAGE 3: NB I-57; STA. 232+89 TO STA. 235+77  
 STAGE 3: NB I-57; STA. 240+93 TO STA. 248+30



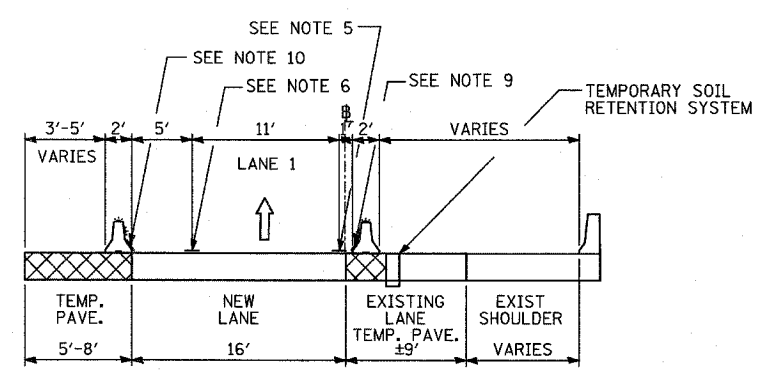
II-II

STAGE 2: WB CONNECTOR; STA. 307+43 TO STA. 328+00



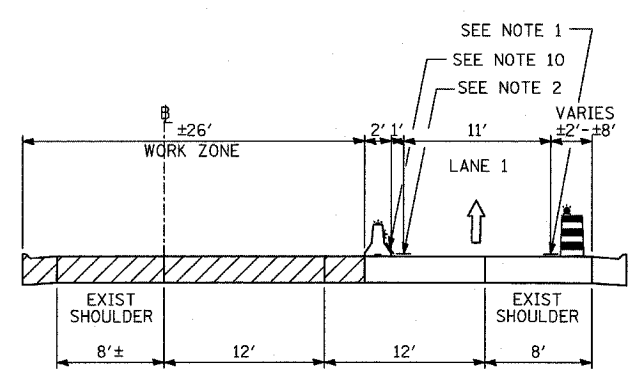
GG-GG

STAGE 2: NB I-57; STA. 236+19 TO STA. 240+93  
 STAGE 3: NB I-57; STA. 236+19 TO STA. 240+93



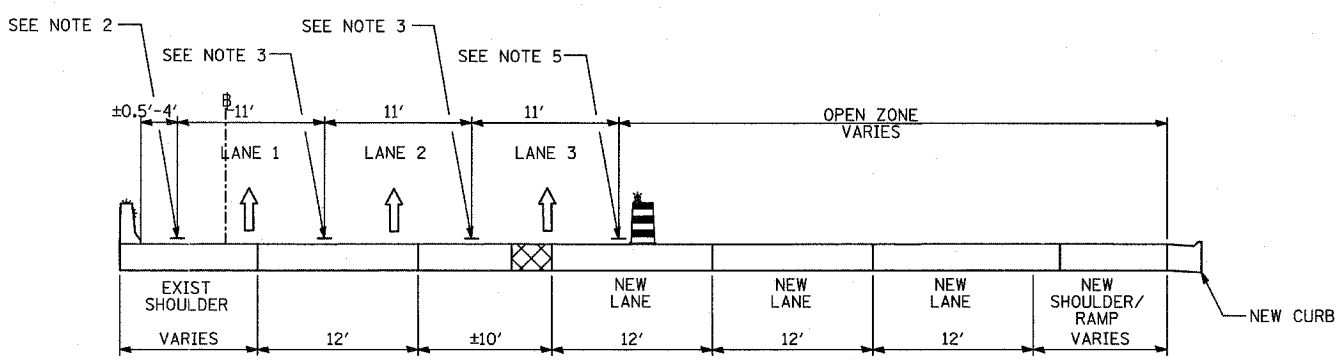
JJ-JJ

STAGE 2: WB CONNECTOR; STA. 330+65 TO STA. 340+29



HH-HH

STAGE 2: EB CONNECTOR; STA. 408+41 TO STA. 415+06  
 STAGE 3: EB CONNECTOR; STA. 408+41 TO STA. 415+06



KK-KK

STAGE 2: NB I-94 (DAN RYAN); STA. 2211+92 TO STA. 2223+48

- NOTE 1 - EPOXY PAVEMENT MARKING-LINE 4" (WHITE)
- NOTE 2 - EPOXY PAVEMENT MARKING-LINE 4" (YELLOW)
- NOTE 3 - EPOXY PAVEMENT MARKING-SKIP-DASH 5" (WHITE), 10' LINE WITH 30' SPACE
- NOTE 4 - EPOXY PAVEMENT MARKING-LINE 8" (WHITE)
- NOTE 5 - PAVEMENT MARKING TAPE, TYPE III 4" LINE (WHITE)
- NOTE 6 - PAVEMENT MARKING TAPE, TYPE III 4" LINE (YELLOW)
- NOTE 7 - PAVEMENT MARKING TAPE, TYPE III 5" SKIP-DASH (WHITE), 10' LINE WITH 30' SPACE
- NOTE 8 - PAVEMENT MARKING TAPE, TYPE III 8" LINE (WHITE)
- NOTE 9 - TEMPORARY PAVEMENT MARKING-LINE 6" (WHITE)
- NOTE 10 - TEMPORARY PAVEMENT MARKING-LINE 6" (YELLOW)

**LEGEND:**

- TEMPORARY CONCRETE BARRIER (WITH REFLECTORS ON TOP AND SIDE FACING TRAFFIC)
- TRAFFIC MOVEMENT
- DRUM WITH MONO-DIRECTIONAL STEADY BURNING LIGHT
- SINGLE-FACE CONCRETE BARRIER, 32"
- SINGLE-FACE CONCRETE BARRIER, 32" (WITH REFLECTORS ON TOP AND SIDE FACING TRAFFIC)

- PAVEMENT REMOVAL AREA
- TEMPORARY PAVEMENT

• ALL NOT TYPICAL SECTIONS ARE DRAWN IN THE DIRECTION OF TRAFFIC

| REVISIONS |      |
|-----------|------|
| NAME      | DATE |
|           |      |
|           |      |
|           |      |
|           |      |
|           |      |
|           |      |
|           |      |
|           |      |
|           |      |
|           |      |