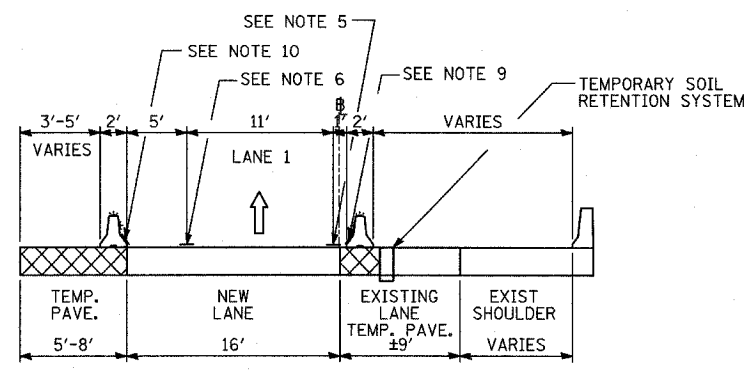
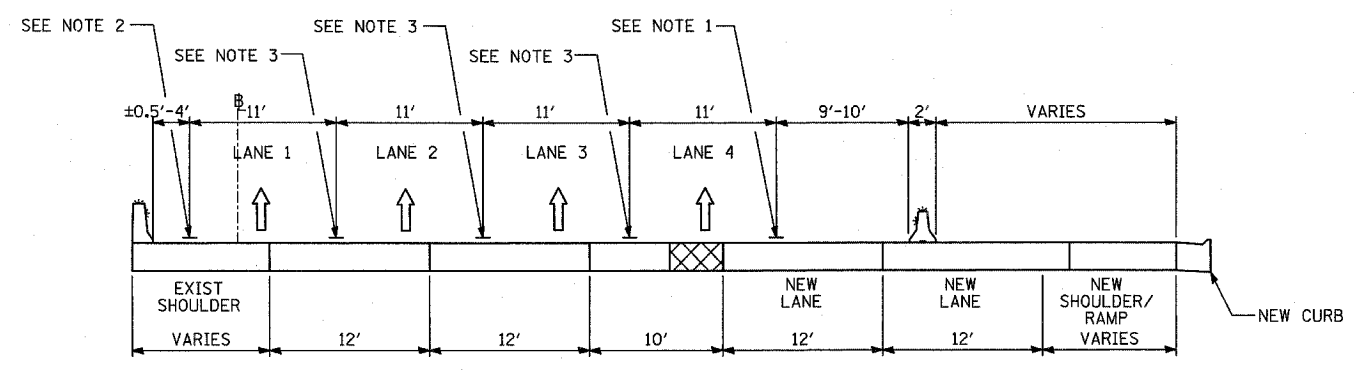


3-3-06 PM



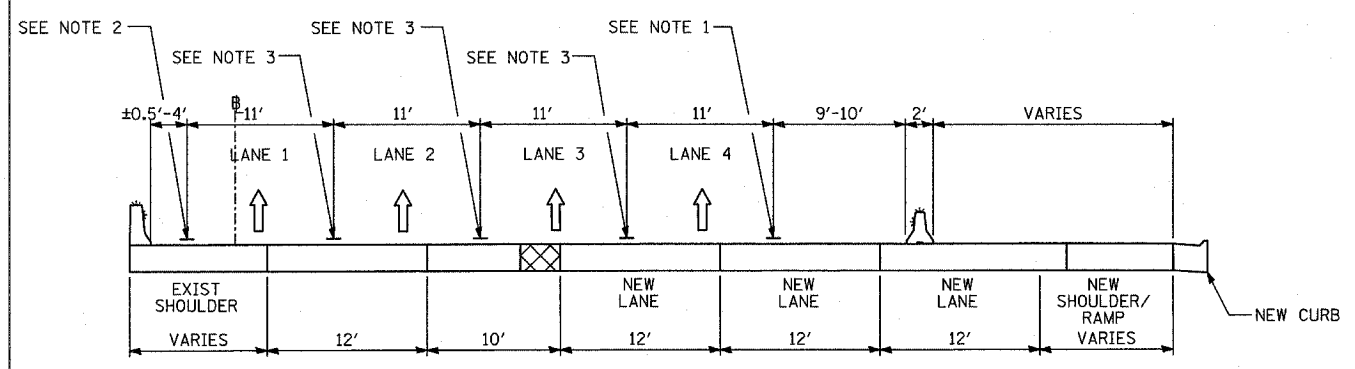
Z-Z

WINTER LANE CONFIGURATION: WB CONNECTOR; STA. 334+92 TO STA. 340+29



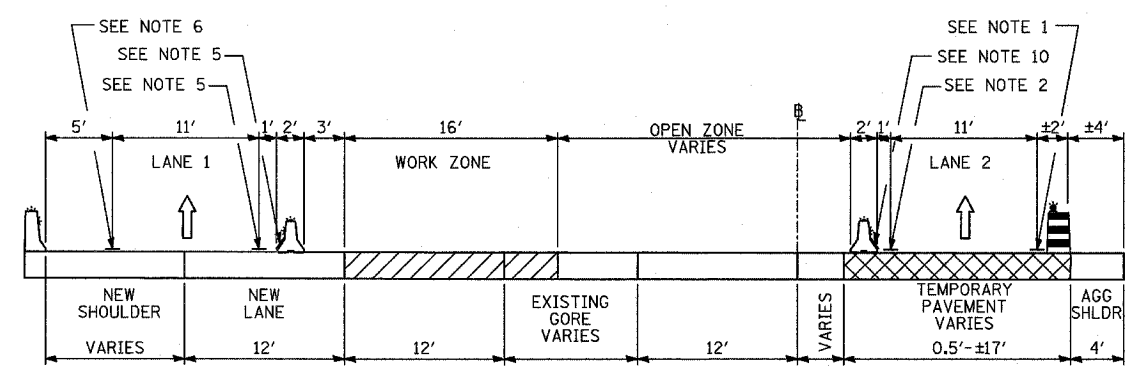
CC-CC

WINTER LANE CONFIGURATION: NB I-94 (DAN RYAN); STA. 2252+02 TO STA. 2316+00



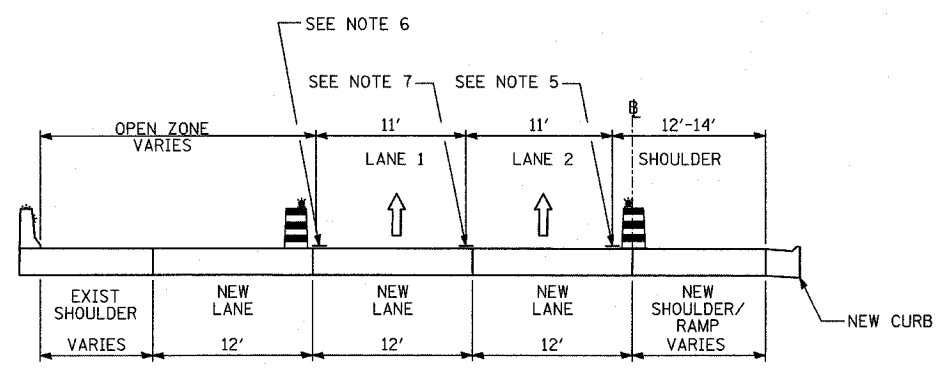
AA-AA

STAGE 1B: NB I-94 (DAN RYAN); STA. 2206+02 TO STA. 2229+02
WINTER LANE CONFIGURATION: NB I-94 (DAN RYAN); STA. 2206+02 TO STA. 2252+02



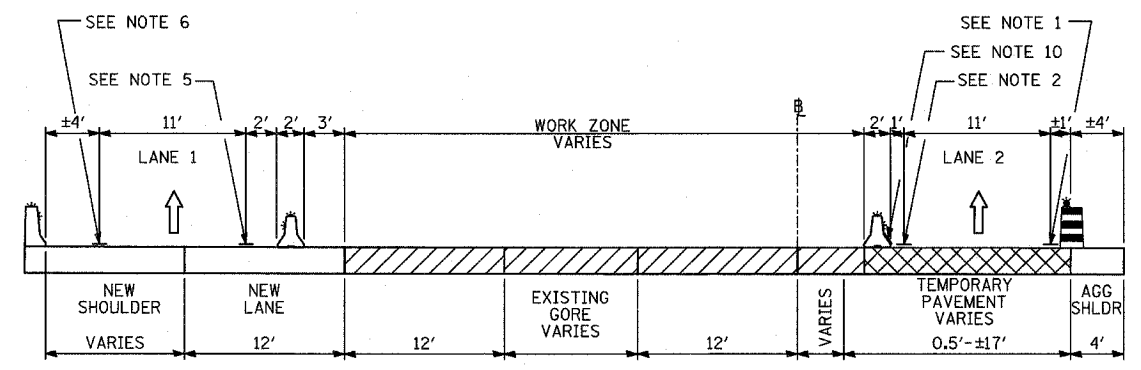
DD-DD

STAGE 2: NB I-57; STA. 219+18 TO STA. 224+86
STAGE 3: NB I-57; STA. 219+18 TO STA. 224+86



BB-BB

STAGE 2: NB I-57; STA. 190+71 TO STA. 206+11
STAGE 3: NB I-57; STA. 190+71 TO STA. 206+11



EE-EE

STAGE 2: NB I-57; STA. 224+86 TO STA. 230+18
STAGE 3: NB I-57; STA. 224+86 TO STA. 230+18

- NOTE 1 - EPOXY PAVEMENT MARKING-LINE 4" (WHITE)
- NOTE 2 - EPOXY PAVEMENT MARKING-LINE 4" (YELLOW)
- NOTE 3 - EPOXY PAVEMENT MARKING-SKIP-DASH 5" (WHITE), 10' LINE WITH 30' SPACE
- NOTE 4 - EPOXY PAVEMENT MARKING LINE 8" (WHITE)
- NOTE 5 - PAVEMENT MARKING TAPE, TYPE III 4" LINE (WHITE)
- NOTE 6 - PAVEMENT MARKING TAPE, TYPE III 4" LINE (YELLOW)
- NOTE 7 - PAVEMENT MARKING TAPE, TYPE III 5" SKIP-DASH (WHITE), 10' LINE WITH 30' SPACE
- NOTE 8 - PAVEMENT MARKING TAPE, TYPE III 8" LINE (WHITE)
- NOTE 9 - TEMPORARY PAVEMENT MARKING-LINE 6" (WHITE)
- NOTE 10 - TEMPORARY PAVEMENT MARKING-LINE 6" (YELLOW)

LEGEND:

- TEMPORARY CONCRETE BARRIER (WITH REFLECTORS ON TOP AND SIDE FACING TRAFFIC)
- TRAFFIC MOVEMENT
- DRUM WITH MONO-DIRECTIONAL STEADY BURNING LIGHT
- SINGLE-FACE CONCRETE BARRIER, 32"
- SINGLE-FACE CONCRETE BARRIER, 32" (WITH REFLECTORS ON TOP AND SIDE FACING TRAFFIC)
- PAVEMENT REMOVAL AREA
- TEMPORARY PAVEMENT

• ALL MOT TYPICAL SECTIONS ARE DRAWN IN THE DIRECTION OF TRAFFIC

REVISIONS	
NAME	DATE

ILLINOIS DEPARTMENT OF TRANSPORTATION
F.A.I. 94 (DAN RYAN EXPRESSWAY)
GENERAL NOTES
CONSTRUCTION STAGING NOTES
MAINTENANCE OF TRAFFIC DETAILS
SHEET 7 OF 13

SCALE: NO SCALE
DATE: MARCH 7, 2006
DRAWN BY: RTM
CHECKED BY: TGB