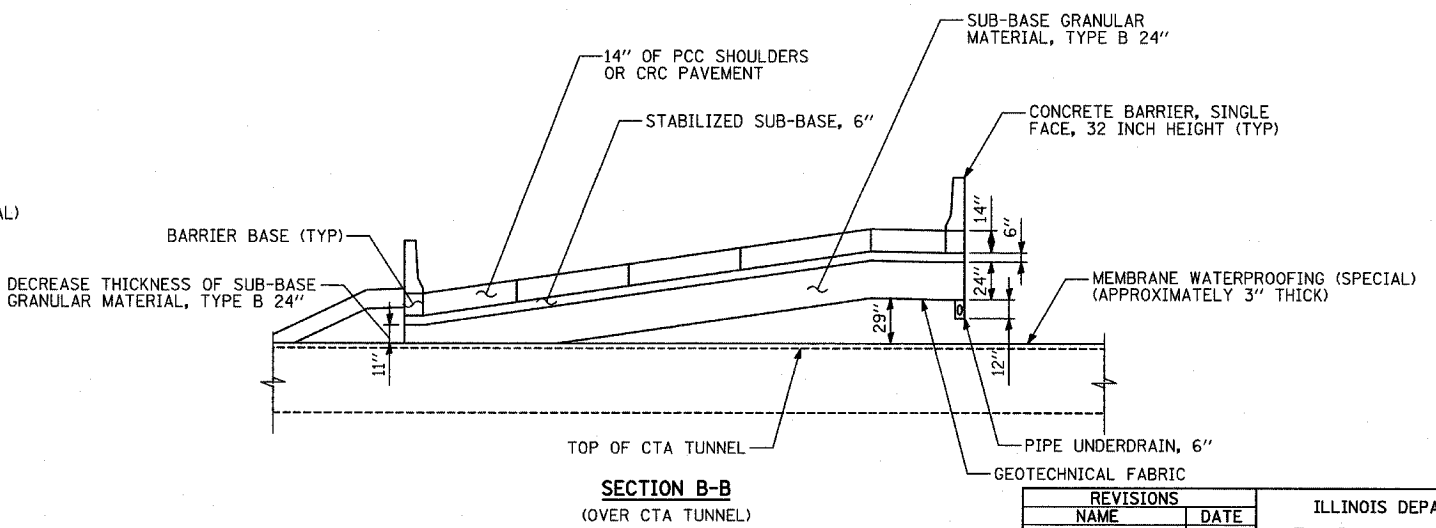
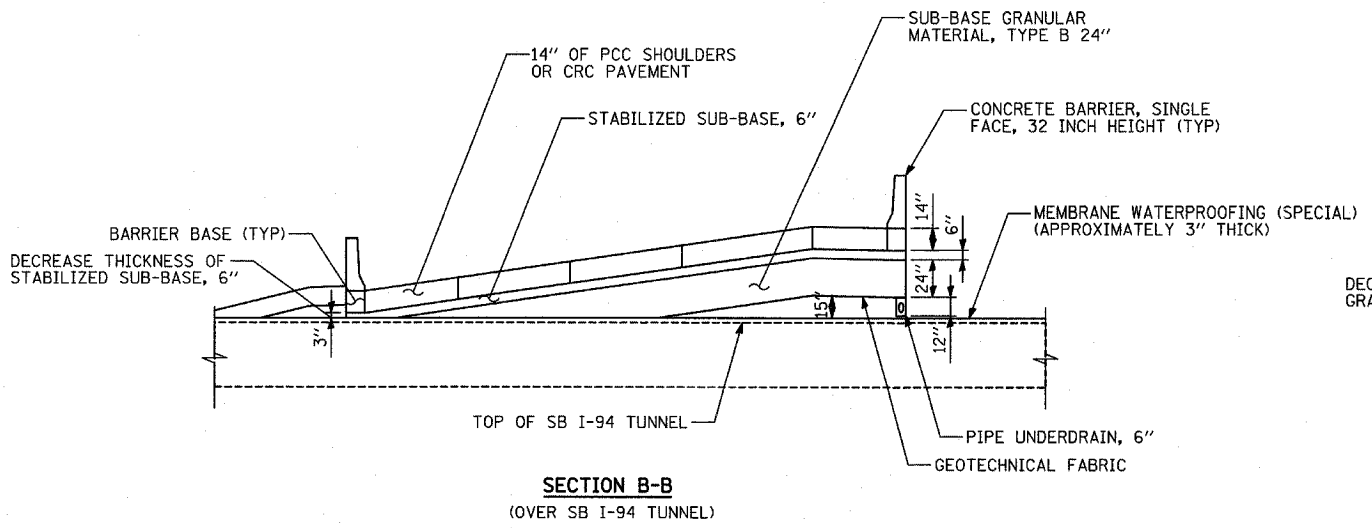
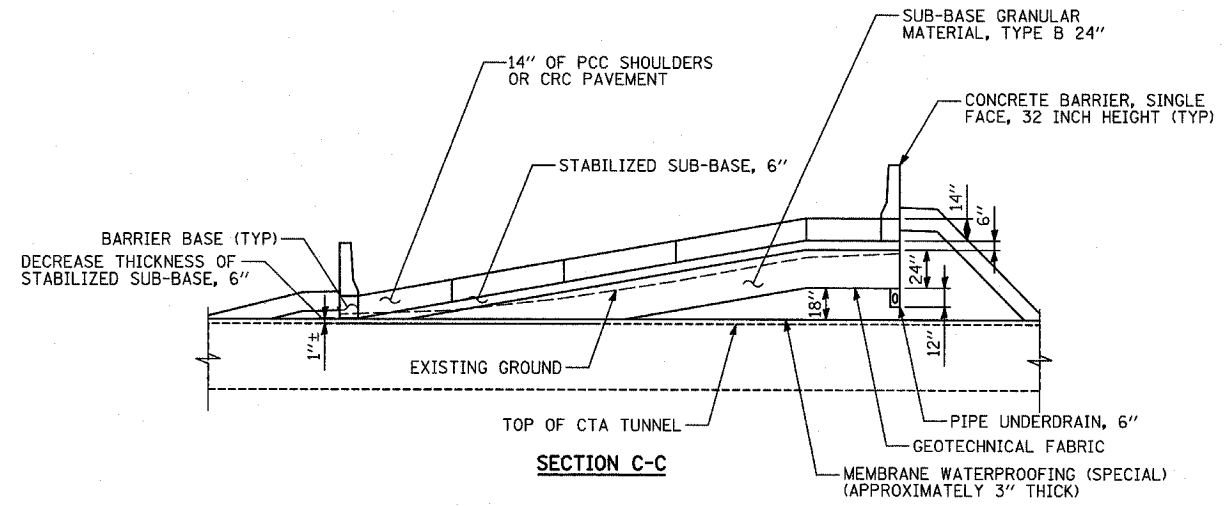
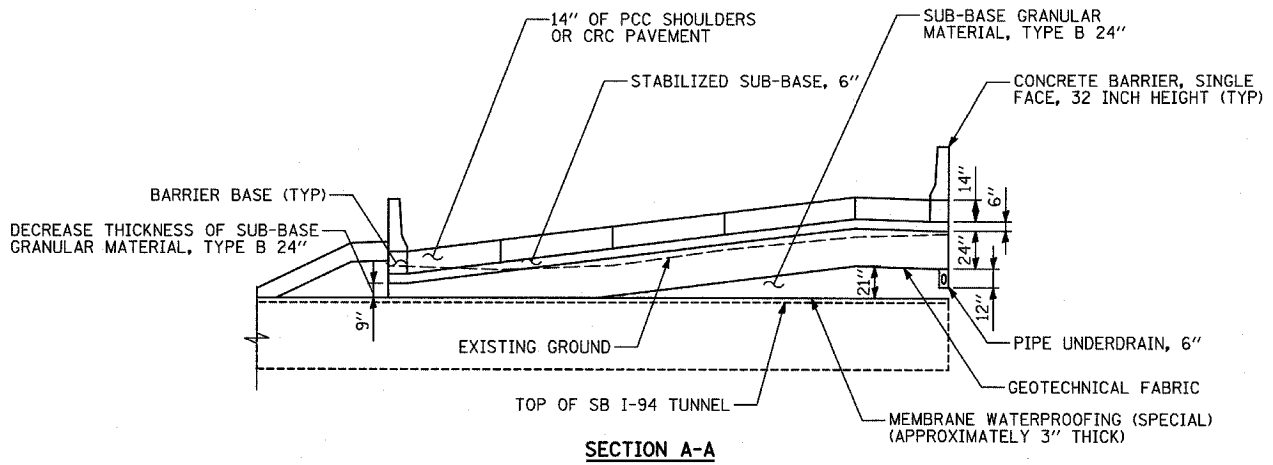
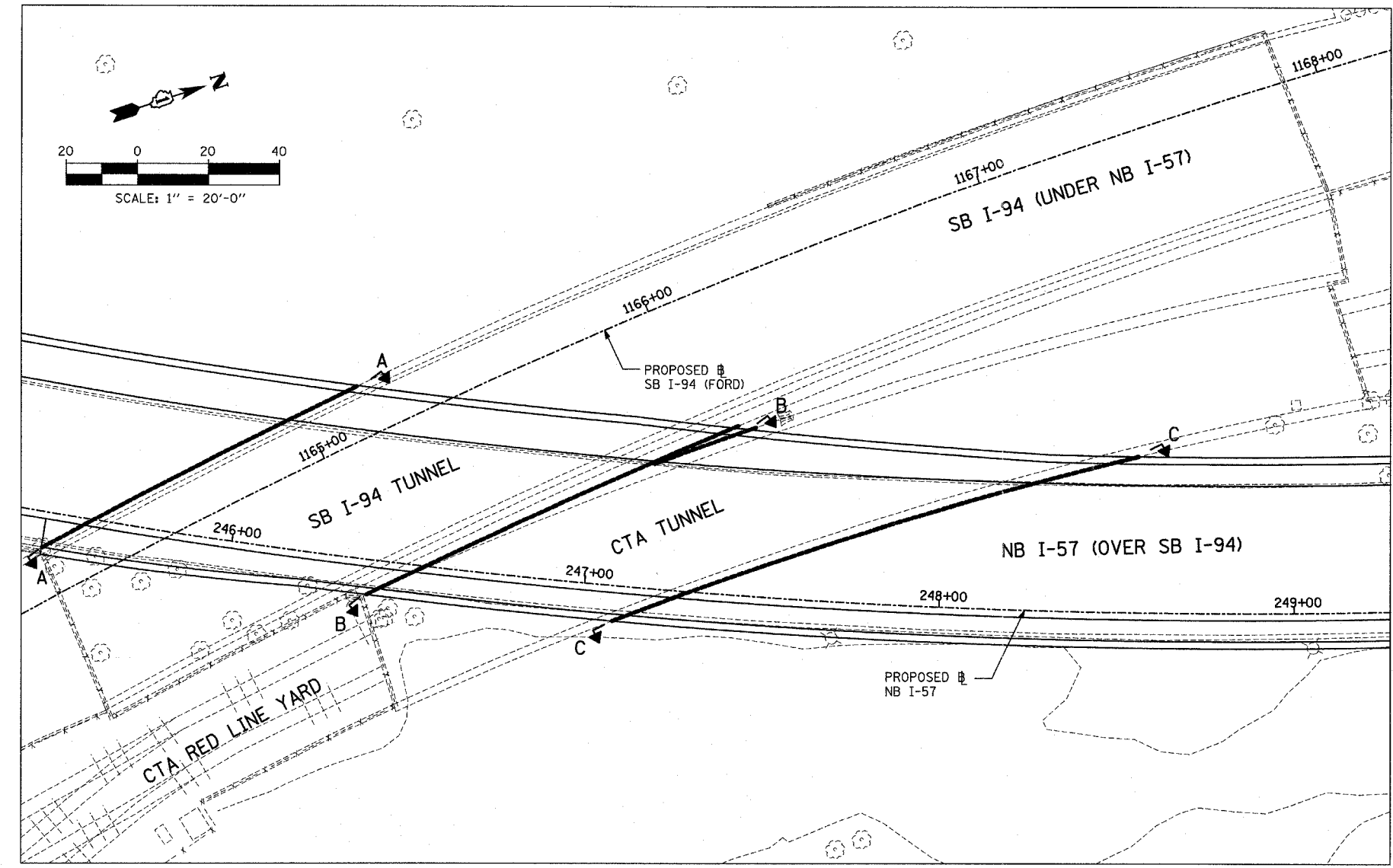
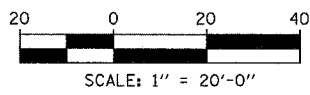


F.A.I. RTE. 94	SECTION *	COUNTY COOK	TOTAL SHEETS 916	SHEET NO. 158
STA. 190+65 (NB I-57) TO STA. 2316+00 (NB RYAN)				
FED. ROAD DIST. NO. ILLINOIS FED. AID PROJECT				
• (1516.1, 1717, & 1818) R-4 62304				



REVISIONS	
NAME	DATE

ILLINOIS DEPARTMENT OF TRANSPORTATION  
 F.A.I. 94 (DAN RYAN EXPRESSWAY)  
 MISCELLANEOUS DETAILS:  
 TUNNEL TYPICAL SECTIONS

SCALE: PLAN: 1"=20'  
 SECTIONS: N.T.S.  
 DATE: MARCH 7, 2006  
 DRAWN BY: RTM  
 CHECKED BY: TGB

**TYLIN** INTERNATIONAL