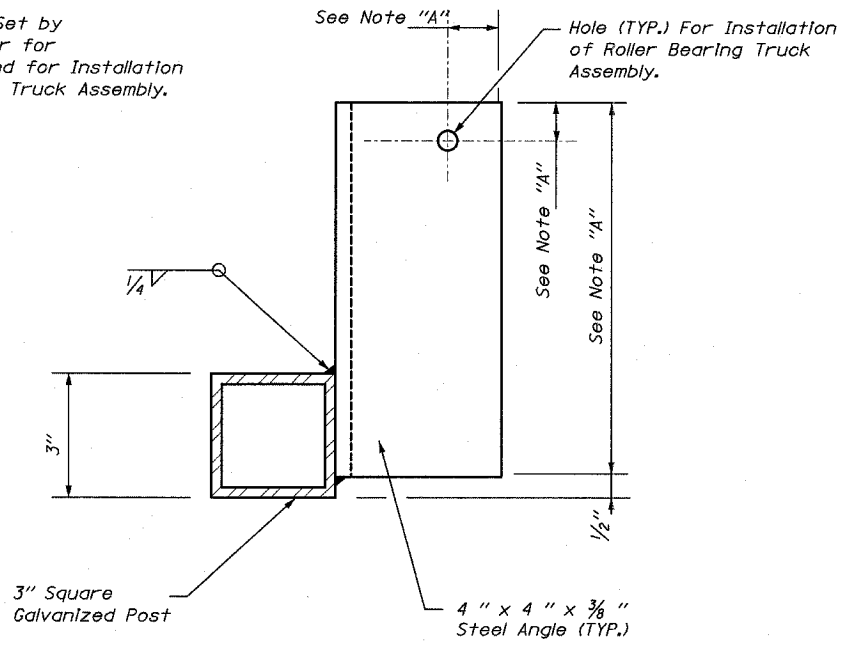
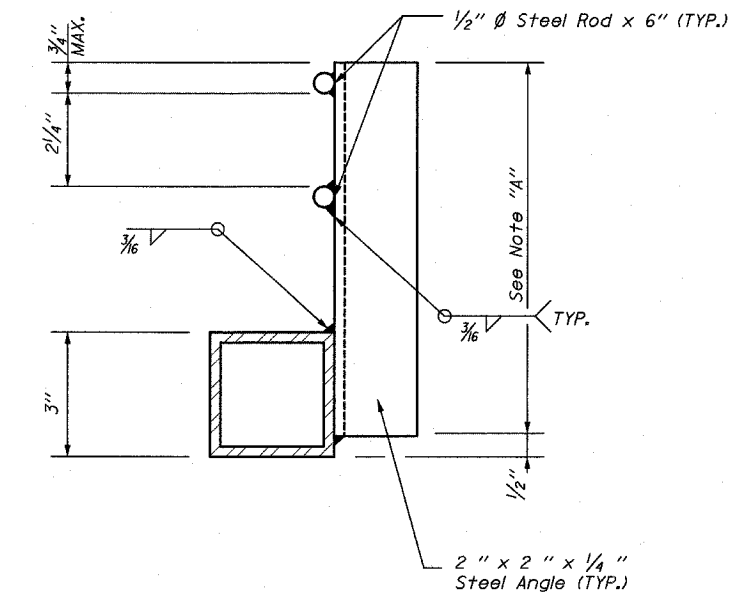


ELEVATION



SECTION 4-4

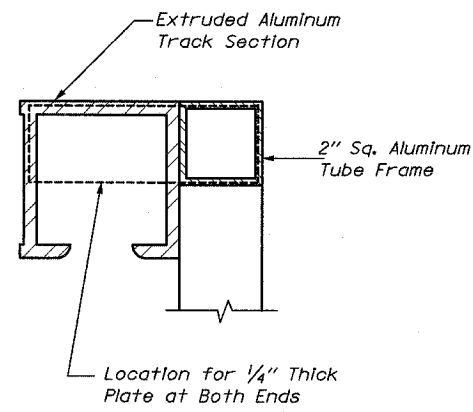


SECTION 5-5

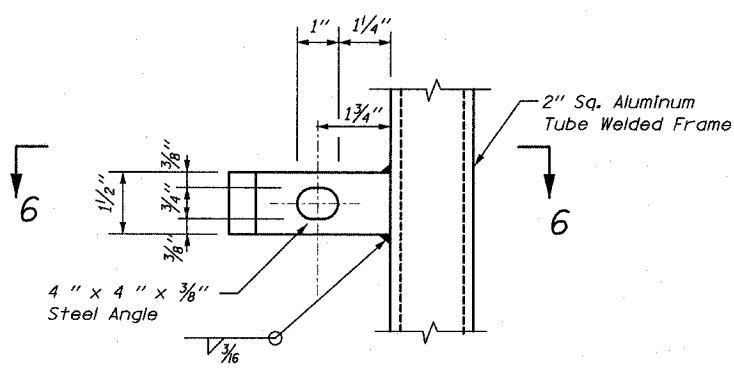
DETAIL A

For Overhang Post - As Shown
 For Gate Post "A" - Opposite Hand

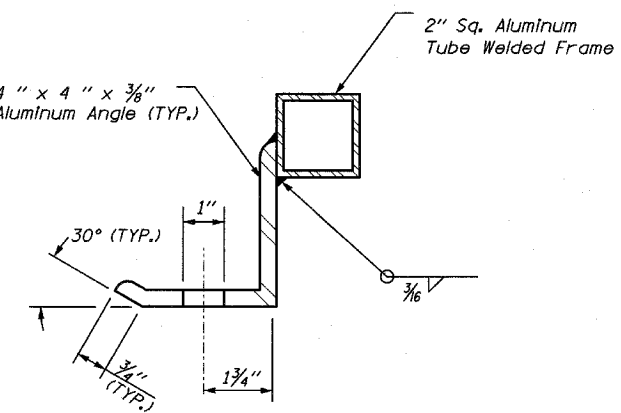
NOTE "A": The Manufacturer of the Sliding Gate Shall Determine the Length of Angles and Location of Hole for Installation of Roller Bearing Truck Assembly.



SECTION 8-8



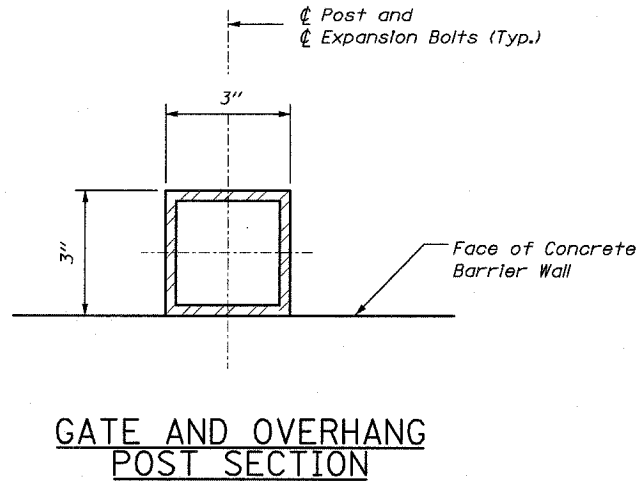
ELEVATION



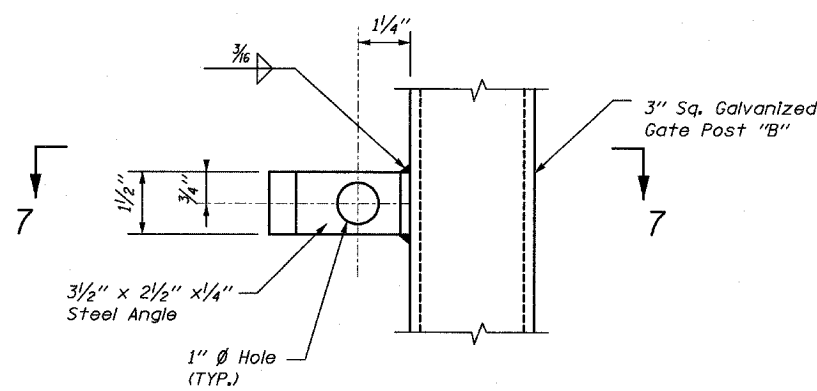
SECTION 6-6

DETAIL B

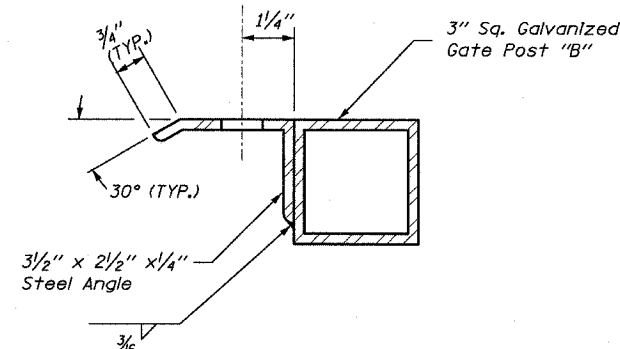
NOTE "A": The Manufacturer of the Sliding Gate Shall Set the Angle Based on the Size of the Track Frame



GATE AND OVERHANG POST SECTION



ELEVATION



SECTION 7-7

DETAIL C

NOTE: The Slide Gates Shall be of the Cantilevered Type with no Track or Support Across the Opening.

| REVISIONS | |
|-----------|------|
| NAME | DATE |
| | |
| | |
| | |
| | |
| | |
| | |
| | |
| | |
| | |