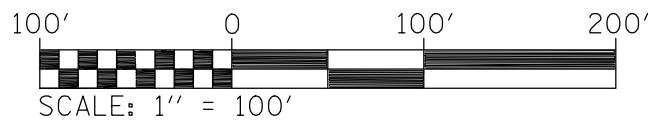
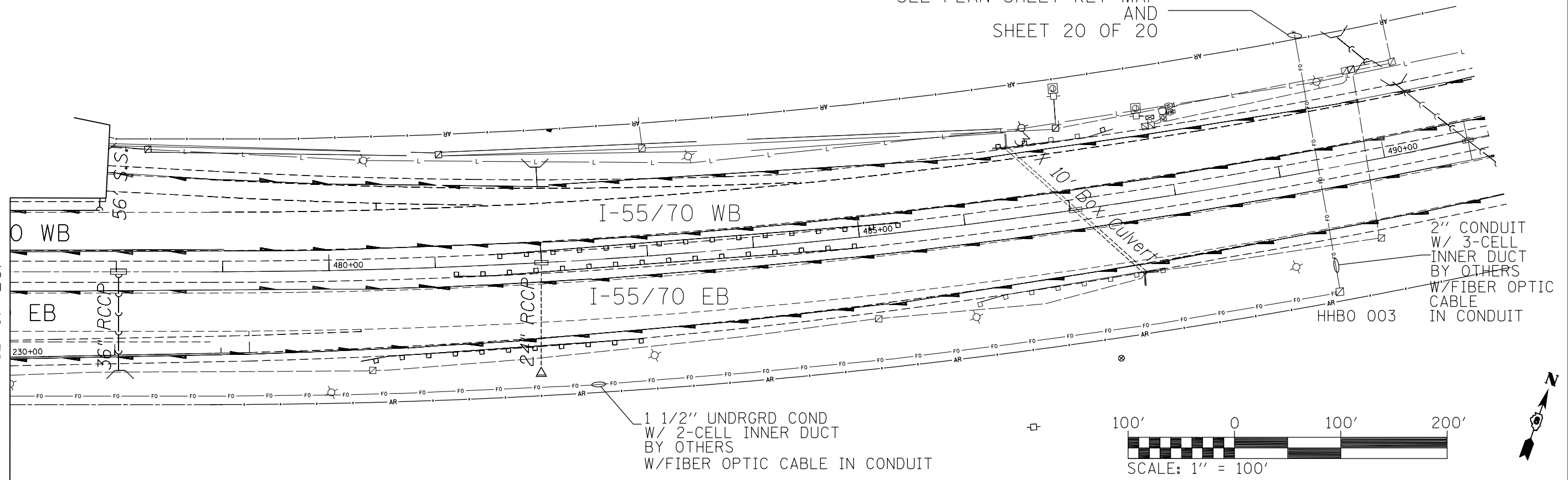


SEE PLAN SHEET KEY MAP  
AND  
SHEET 20 OF 20

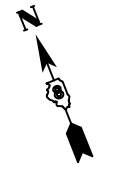
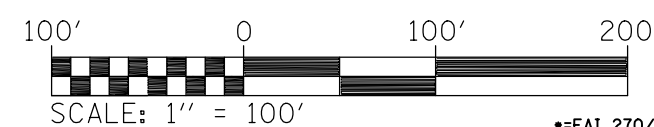
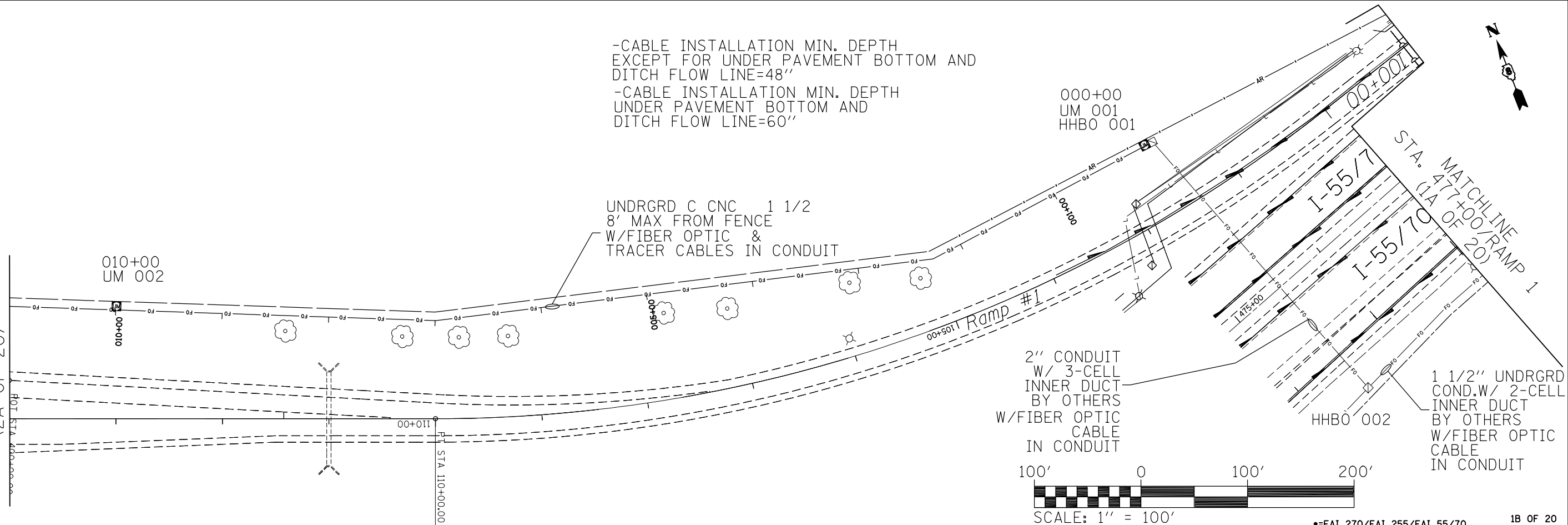
MATCHLINE STA. 477+00/RAMP 1  
(1B OF 20)



1A OF 20

-CABLE INSTALLATION MIN. DEPTH  
EXCEPT FOR UNDER PAVEMENT BOTTOM AND  
DITCH FLOW LINE=48"  
-CABLE INSTALLATION MIN. DEPTH  
UNDER PAVEMENT BOTTOM AND  
DITCH FLOW LINE=60"

MATCHLINE STA. 400+00/RAMP 4  
(2A OF 20)



1B OF 20

FILE NAME =	USER NAME = prestonme	DESIGNED -	REVISED -
et:\pw\work\p\dot\prestonme\d0298000\d076f77-sht-ITS.dgn		DRAWN -	REVISED -
	PLOT SCALE = 100.0000' / in.	CHECKED -	REVISED -
	PLOT DATE = 3/21/2013	DATE -	REVISED -

**STATE OF ILLINOIS  
DEPARTMENT OF TRANSPORTATION**

**PLAN SHEET**  
**EASTPORT PLAZA DR. TO I-55/70 STA. 477+00/RAMP 1**  
**I-255 STA.100+00/RAMP 1 TO STA. 400+00/RAMP 4**

SCALE: SHEET NO. 1 OF 20 SHEETS STA. TO STA.

\*FAI 270/FAI 255/FAI 55/70

F.A.I. RTE.	SECTION	COUNTY	TOTAL SHEETS	SHEET NO.
	DIST 8 ITS 2013-1	MADISON	27	7
FED. ROAD DIST. NO.			ILLINOIS FED. AID PROJECT	
CONTRACT NO. 76F77				