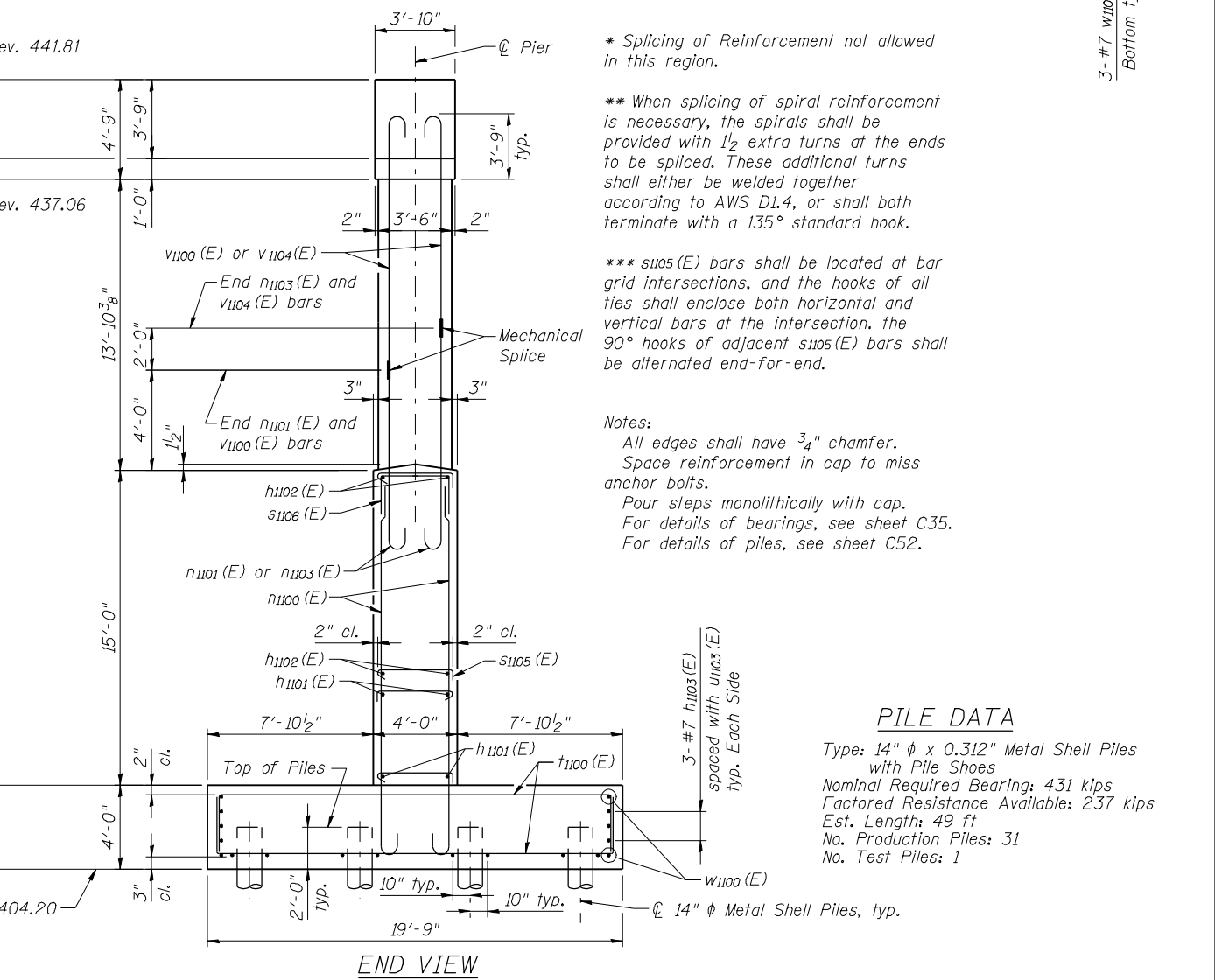
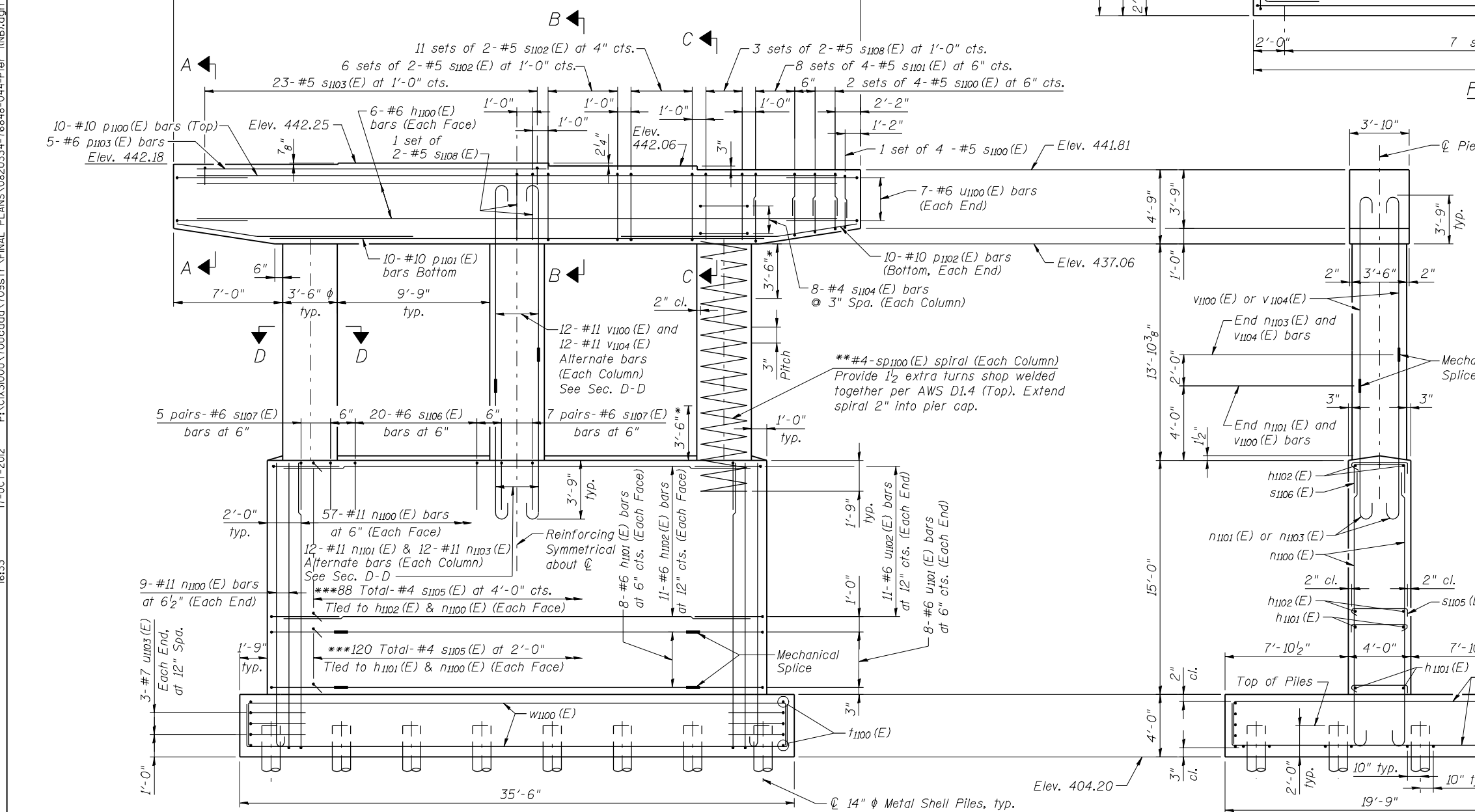
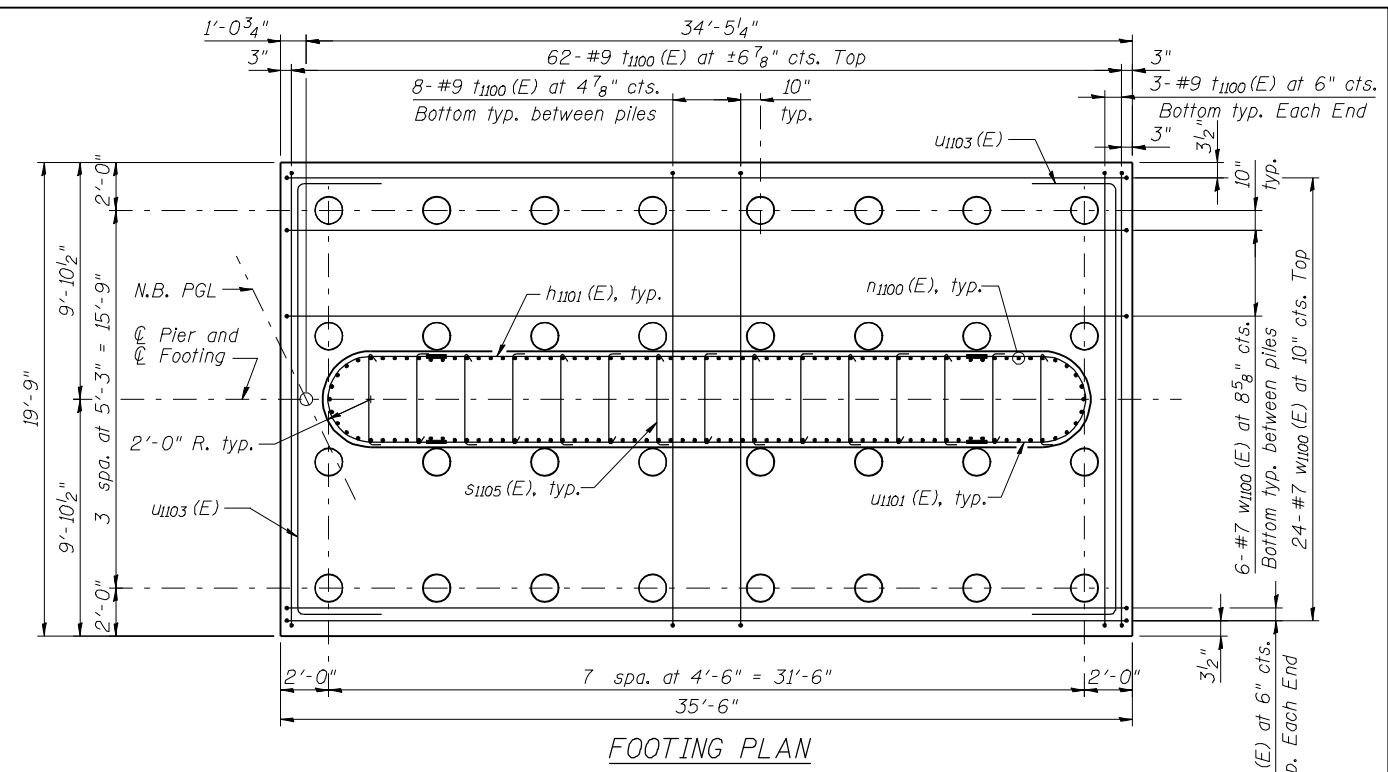
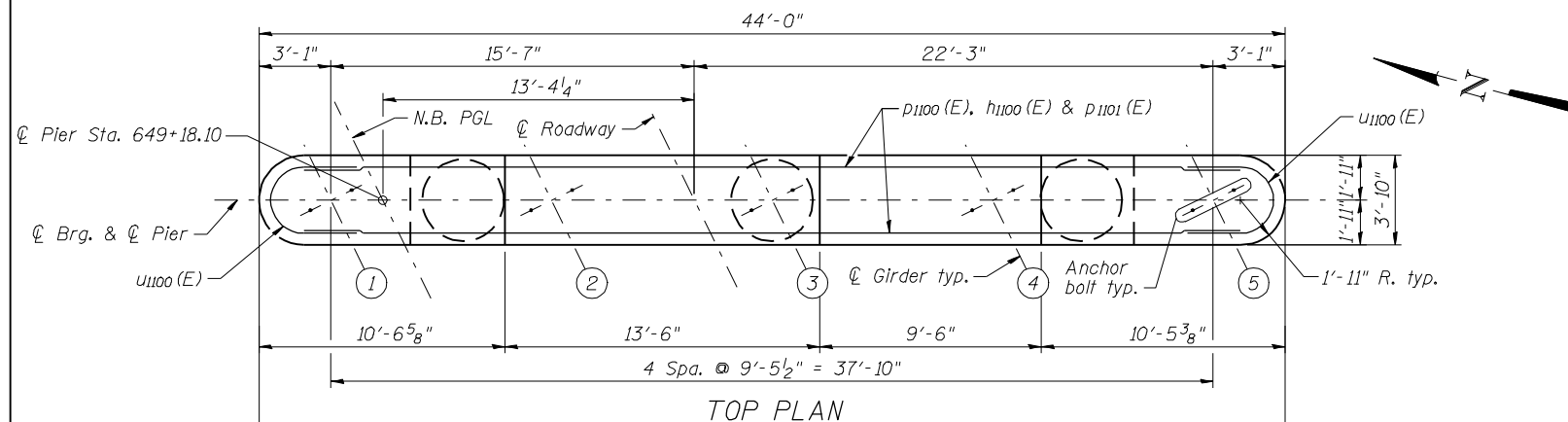


P:\CX3000\700cadd\7095\FINAL_PLANS\0820334-76848-044-Pier (INB).dgn 17-OCT-2012 16:33



* Splicing of Reinforcement not allowed in this region.

** When splicing of spiral reinforcement is necessary, the spirals shall be provided with 1/2 extra turns at the ends to be spliced. These additional turns shall either be welded together according to AWS D1.4, or shall both terminate with a 135° standard hook.

*** s1105(E) bars shall be located at bar grid intersections, and the hooks of all ties shall enclose both horizontal and vertical bars at the intersection, the 90° hooks of adjacent s1105(E) bars shall be alternated end-for-end.

Notes:
 All edges shall have 3/4" chamfer.
 Space reinforcement in cap to miss anchor bolts.
 Pour steps monolithically with cap.
 For details of bearings, see sheet C35.
 For details of piles, see sheet C52.

PILE DATA

Type: 14" φ x 0.312" Metal Shell Piles with Pile Shoes
 Nominal Required Bearing: 431 kips
 Factored Resistance Available: 237 kips
 Est. Length: 49 ft
 No. Production Piles: 31
 No. Test Piles: 1

JACOBS	USER NAME =	DESIGNED - N. KHATRI	REVISED -	STATE OF ILLINOIS DEPARTMENT OF TRANSPORTATION	PIER NO. 1 PLAN AND ELEVATION - N.B. STRUCTURE NO. 082-0334 (N.B.) & 082-0335 (S.B.)	F.A.P. RTE. =	SECTION =	COUNTY =	TOTAL SHEETS =	SHEET NO. =
	PLOT DATE = 17-OCT-2012	CHECKED - R. RILEY	REVISED -			788	520-1-2HVB	ST. CLAIR	237	101
FILE NAME = 0820334-76848-044-Pier (INB).dgn	DRAWN - E. KRACK	REVISOR -		SHEET NO. C44 OF 76 SHEETS			CONTRACT NO. 76848			
	CHECKED - N. KHATRI	REVISOR -					ILLINOIS FED. AID PROJECT			