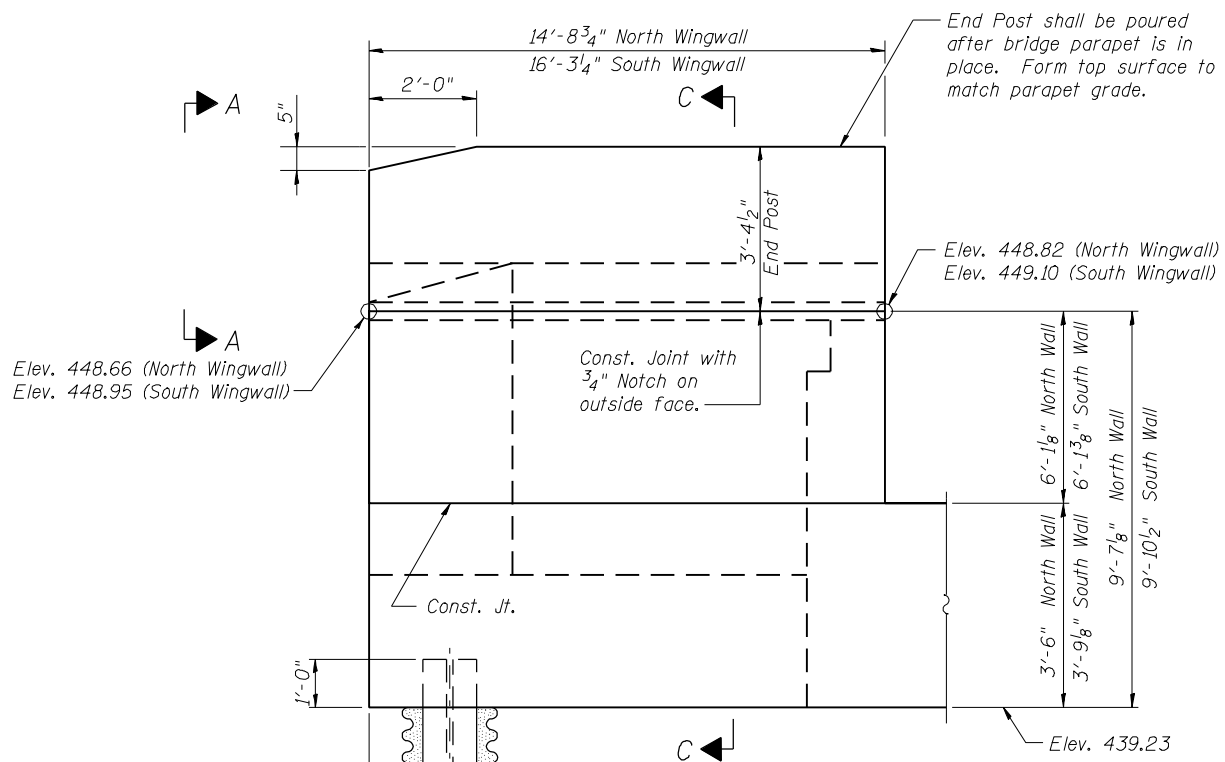
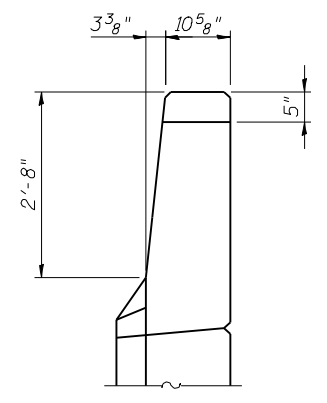


P:\CX31000\700cadd\7095tr\FINAL PLANS\0820335-76848-043-N Abut Details(SB).dgn
17-OCT-2012 16:32

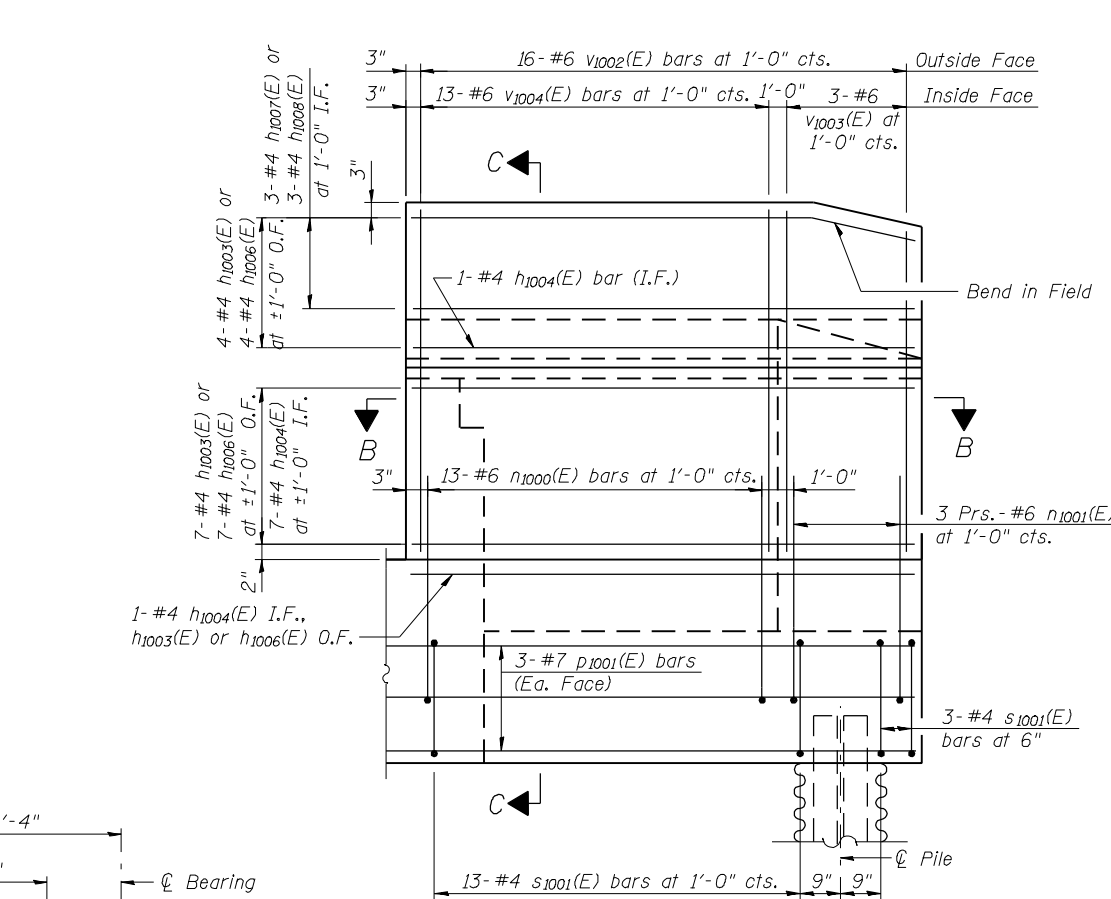


WINGWALL ELEVATION
Showing Dimensions

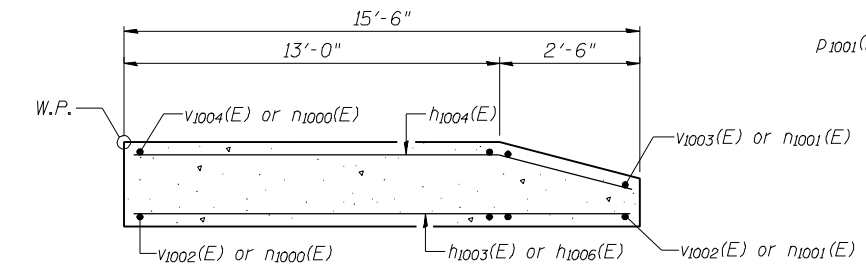
Note: Elevations shown are at outside face of Wingwall.



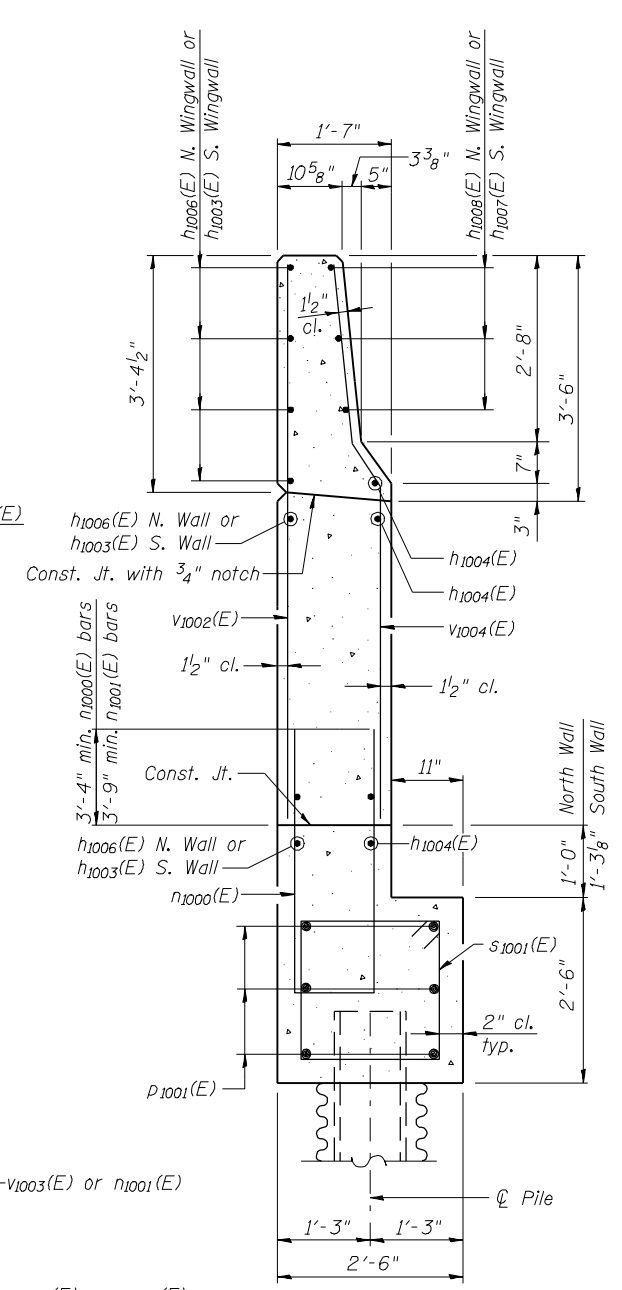
VIEW A-A



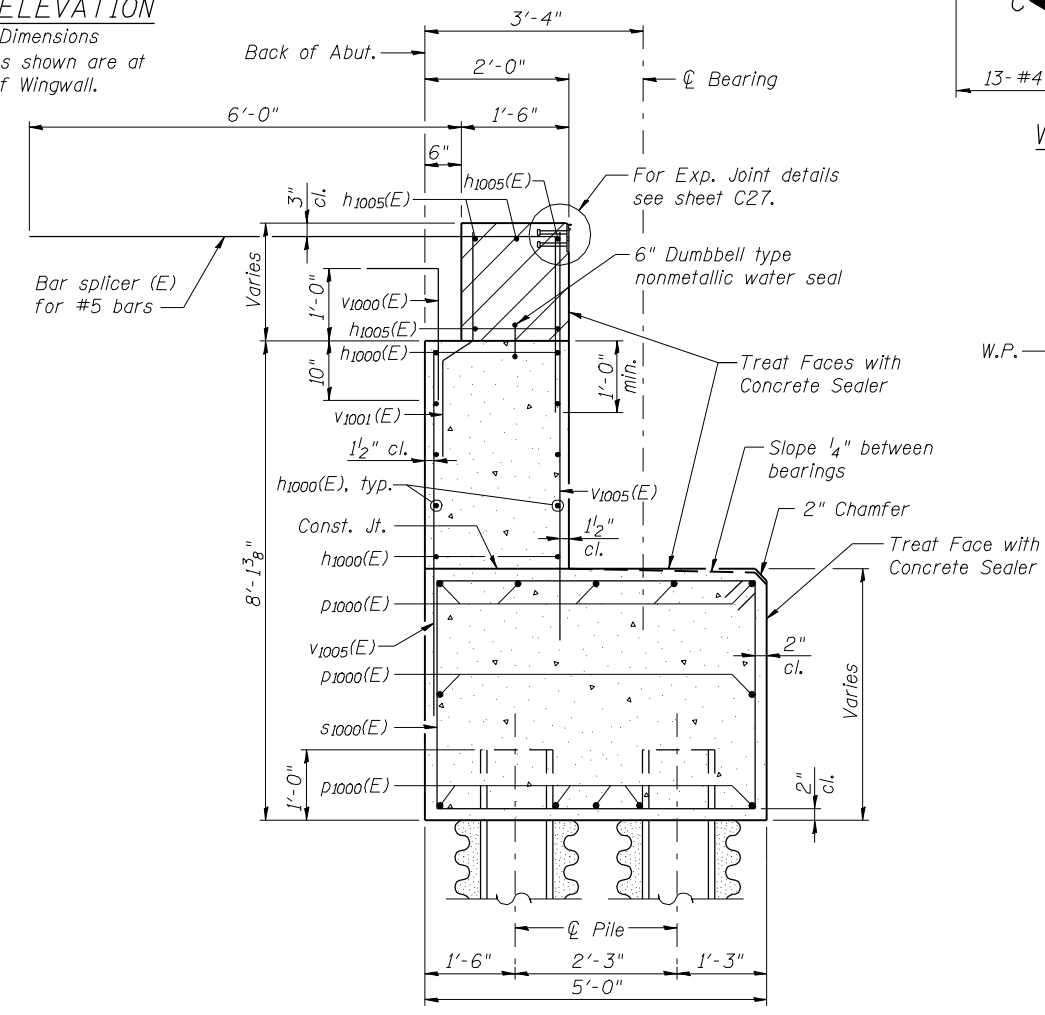
WINGWALL ELEVATION
Showing Reinforcement



SECTION B-B



SECTION C-C



SECTION THRU ABUTMENT

NOTES
Hatched area to be poured after superstructure false work has been removed.
Quantity of concrete included with Concrete Superstructure.
Pour steps monolithically with cap.
Quantity of concrete in end post included with Concrete Superstructure on sheet C2.
For Abutment Soil Reinforcing and Pile Coating requirements, see Sheet C2.



USER NAME =	DESIGNED - N. KHATRI	REVISED -
PLOT DATE = 17-OCT-2012	CHECKED - S. HENNING	REVISED -
	DRAWN - C. SALLADE	REVISED -
	CHECKED - N. KHATRI	REVISED -

STATE OF ILLINOIS
DEPARTMENT OF TRANSPORTATION

NORTH ABUTMENT DETAILS- S.B.
STRUCTURE NO. 082-0334 (N.B.) & 082-0335 (S.B.)

SHEET NO. C43 OF 76 SHEETS

F.A.P. RTE.	SECTION	COUNTY	TOTAL SHEETS	SHEET NO.
788	520-1-2HVB	ST. CLAIR	237	100
CONTRACT NO. 76848				

ILLINOIS FED. AID PROJECT