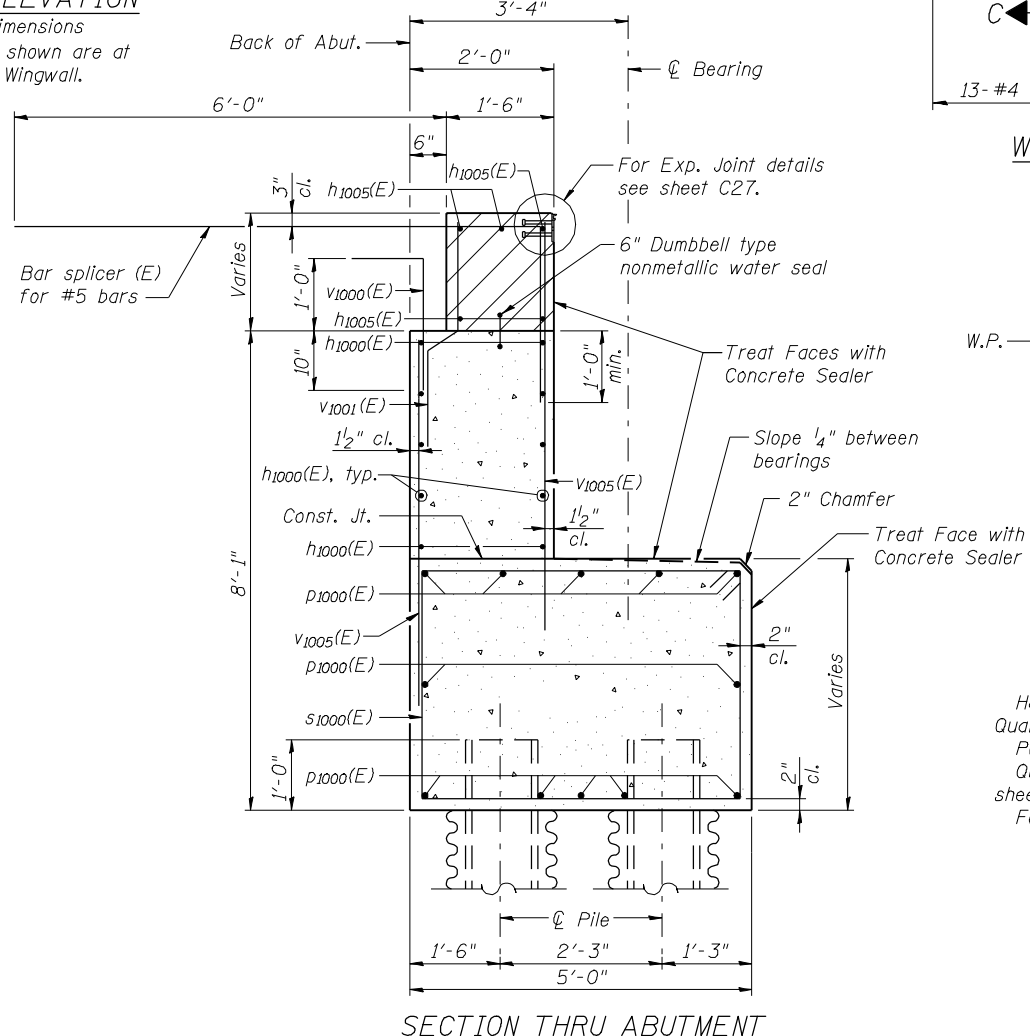
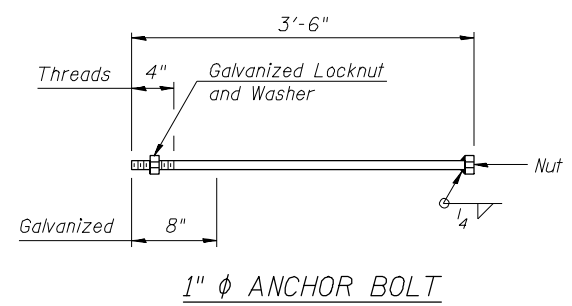
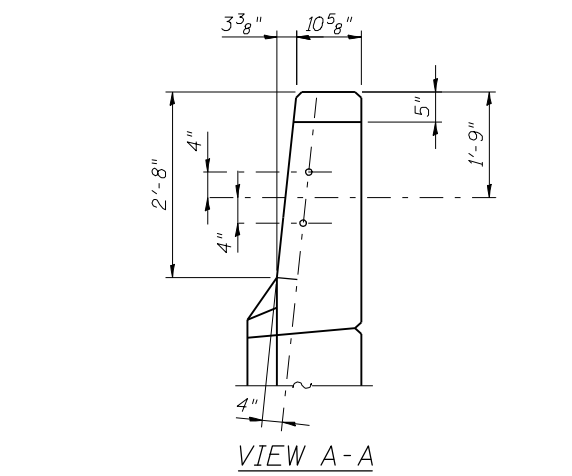
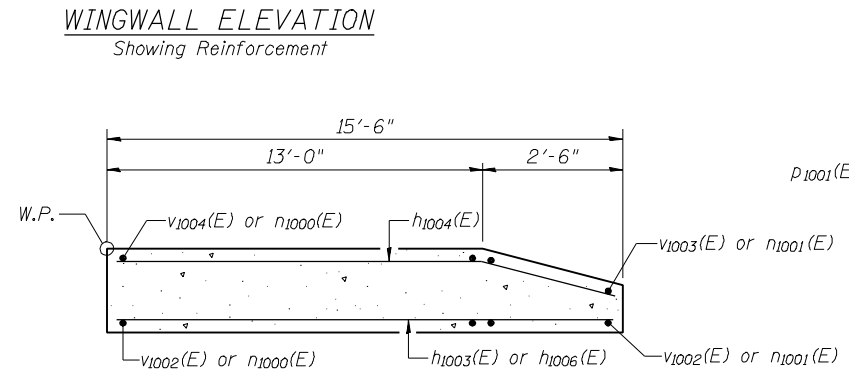
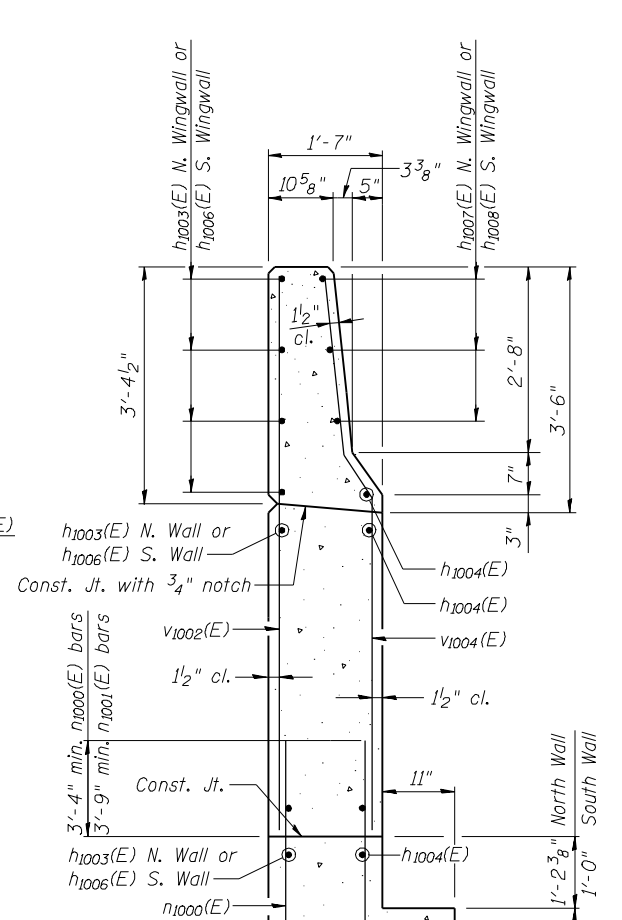
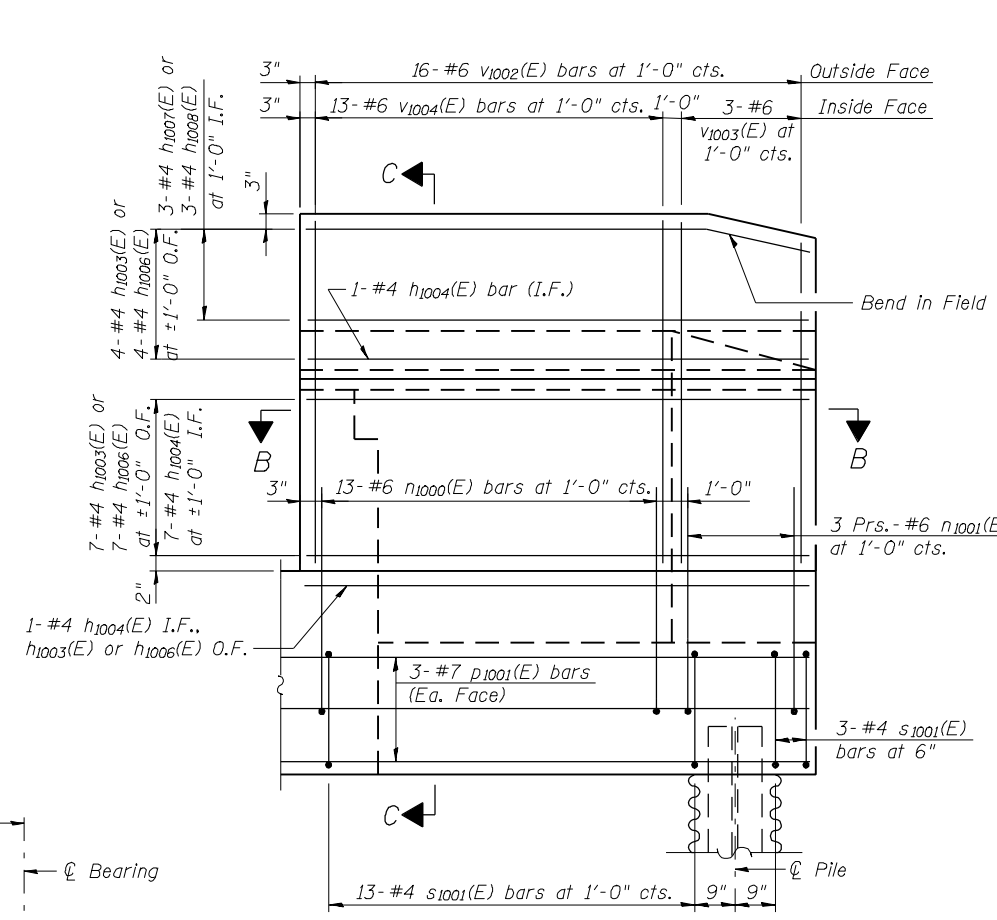
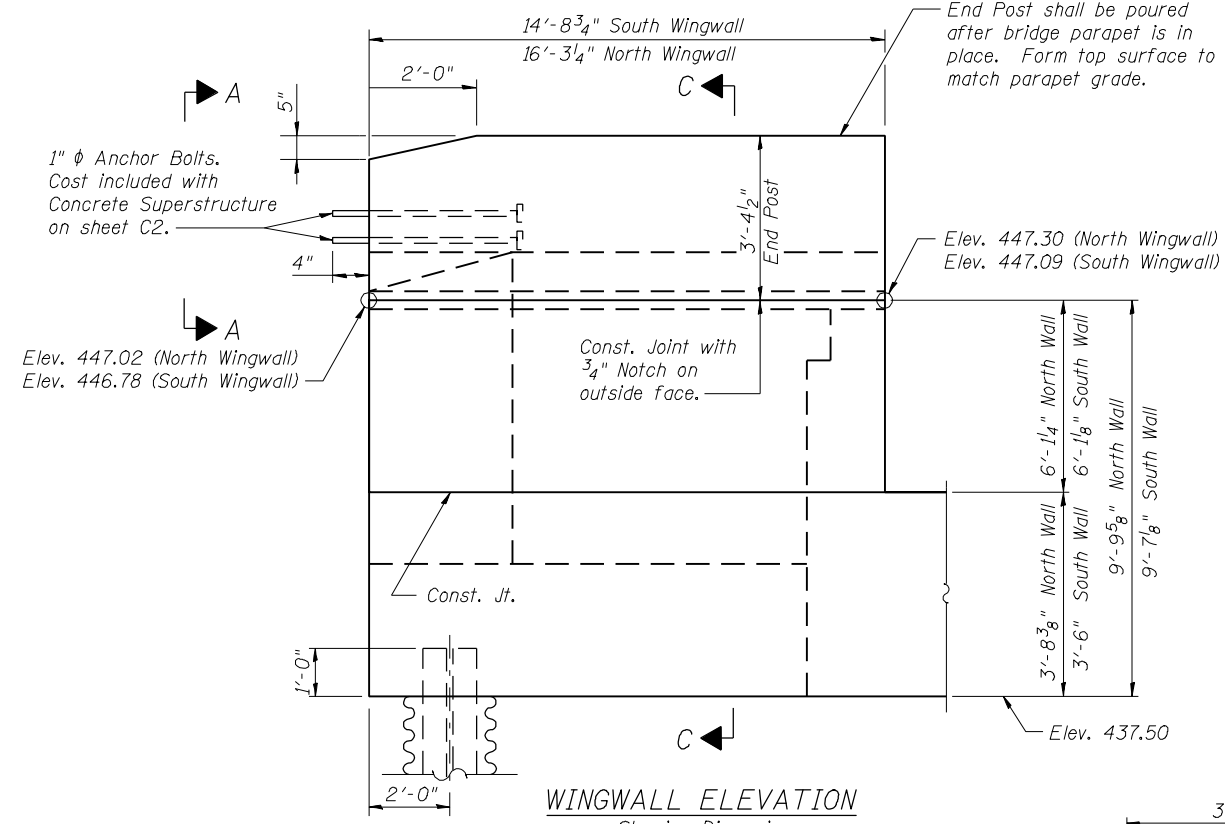


17-OCT-2012 P:\CX31000\700cadd\7095tr\FINAL PLANS\0820335-76848-041-S Abut Details(SB).dgn 16:32



NOTES
Hatched area to be poured after superstructure false work has been removed. Quantity of concrete included with Concrete Superstructure.
Pour steps monolithically with cap.
Quantity of concrete in end post included with Concrete Superstructure on sheet C2.
For Abutment Soil Reinforcing and Pile Coating requirements, see Sheet C2.



USER NAME =	DESIGNED - N. KHATRI	REVISED -
PLOT DATE = 17-OCT-2012	CHECKED - S. HENNING	REVISED -
	DRAWN - C. SALLADE	REVISED -
	CHECKED - J. SMITH	REVISED -

**STATE OF ILLINOIS
DEPARTMENT OF TRANSPORTATION**

**SOUTH ABUTMENT DETAILS - S.B.
STRUCTURE NO. 082-0334 (N.B.) & 082-0335 (S.B.)**

F.A.P. RTE.	SECTION	COUNTY	TOTAL SHEETS	SHEET NO.
788	520-1-2HVB	ST. CLAIR	237	98
CONTRACT NO. 76848				

SHEET NO. C41 OF 76 SHEETS

ILLINOIS FED. AID PROJECT