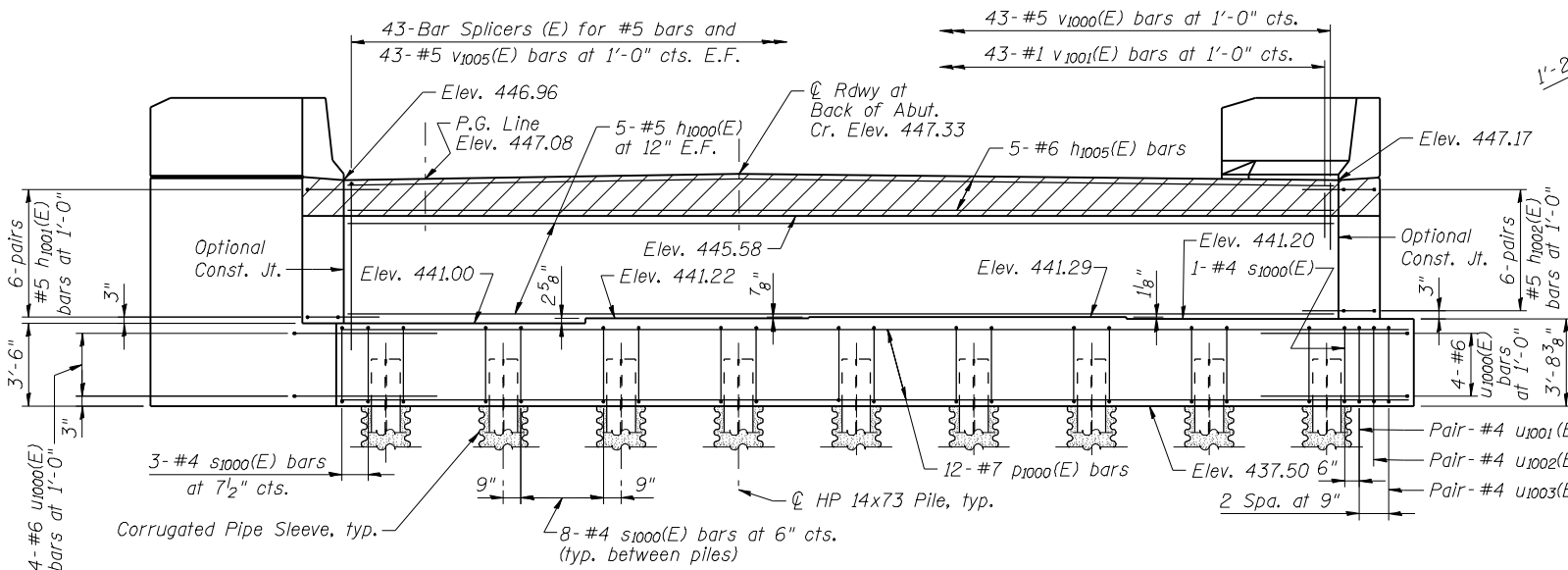
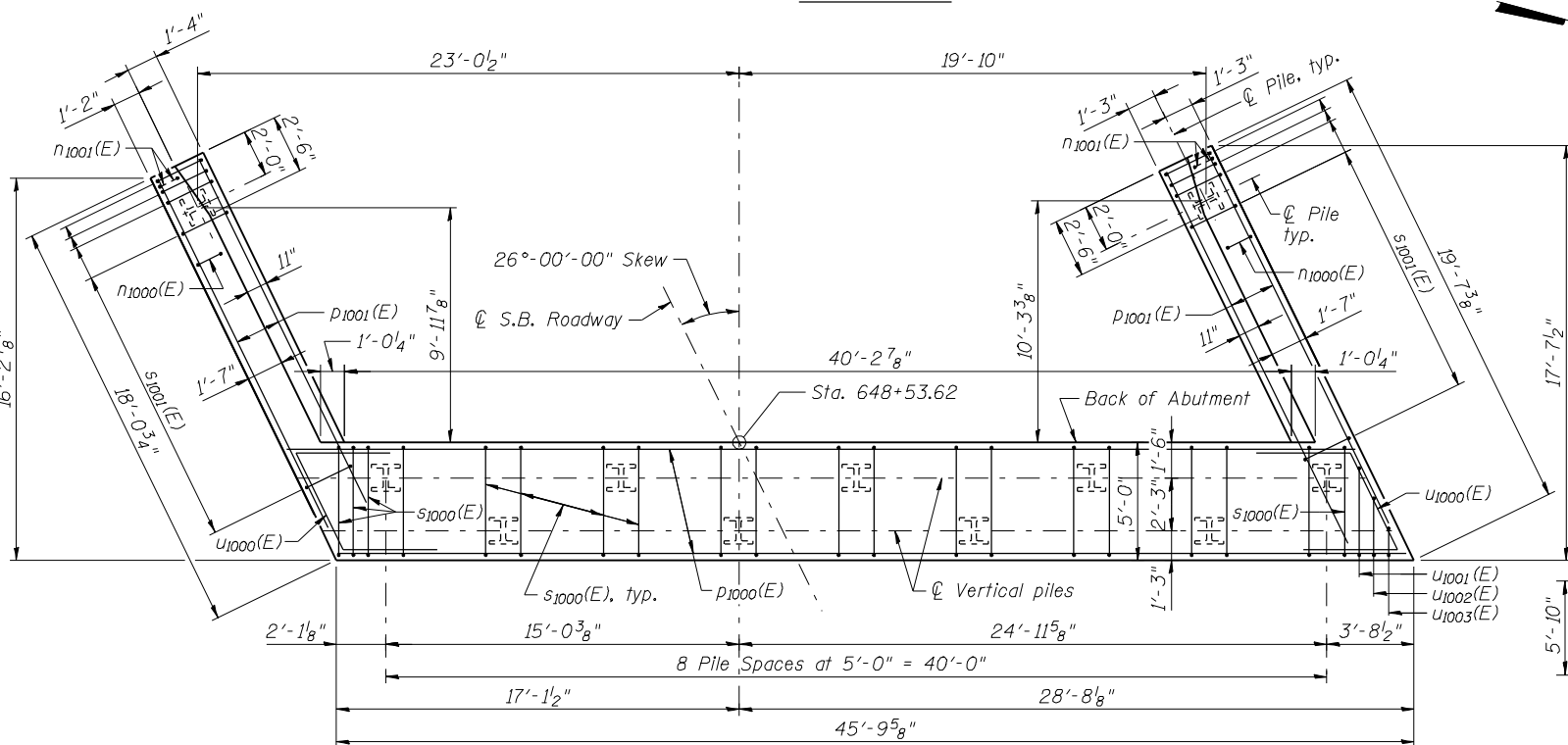


17-OCT-2012 P:\CX31000\T00cadd\T095H\FINAL PLANS\0820335-76848-040-S ABUT(SB).dgn 16:31

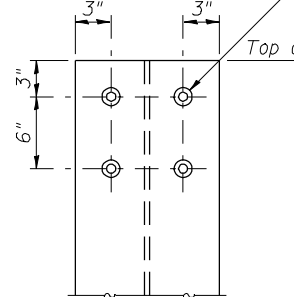


ELEVATION



PLAN-PILE CAP

4-3/4"φ x 4" Granular or solid flux filled headed studs automatically end welded (Typ. each flange, each pile)

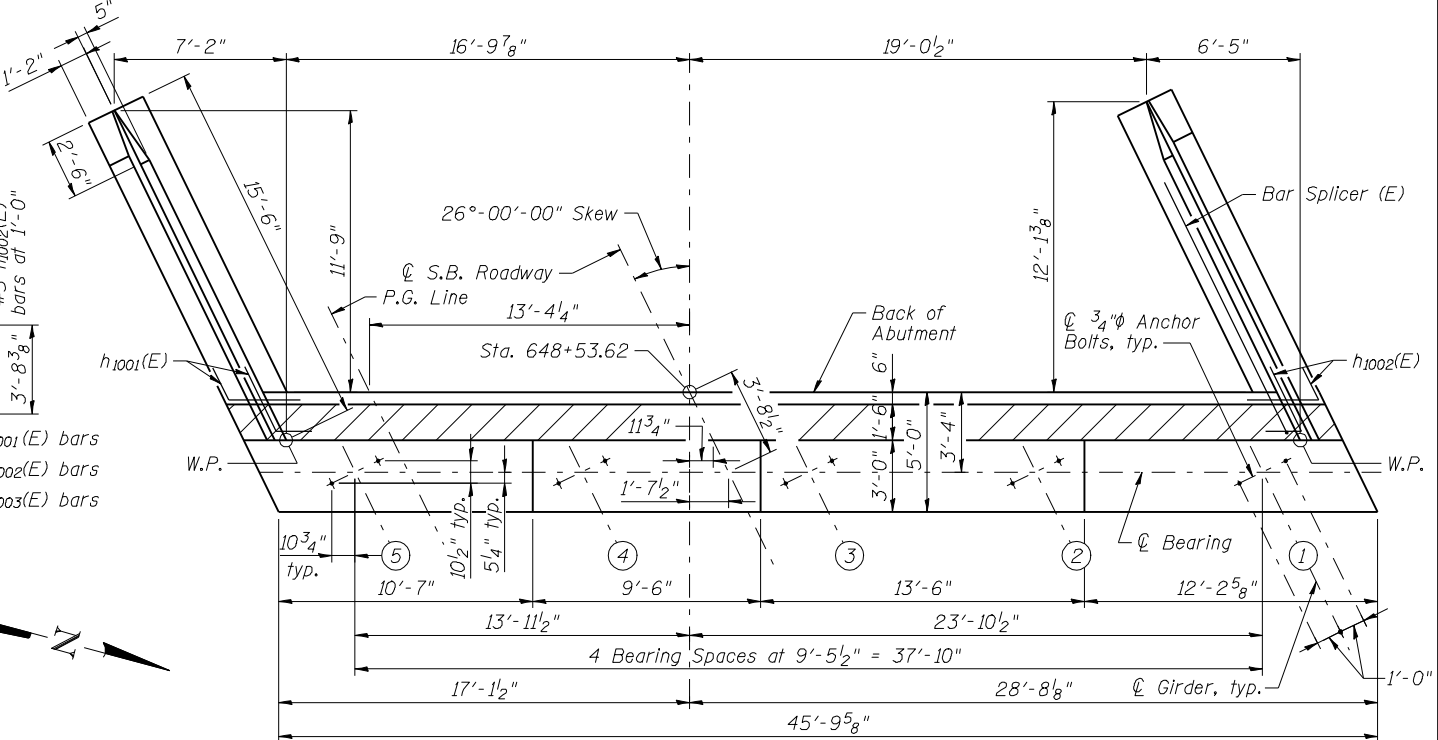
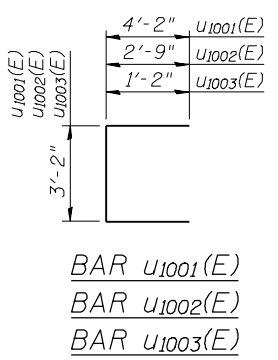


SEISMIC PILE DETAILS

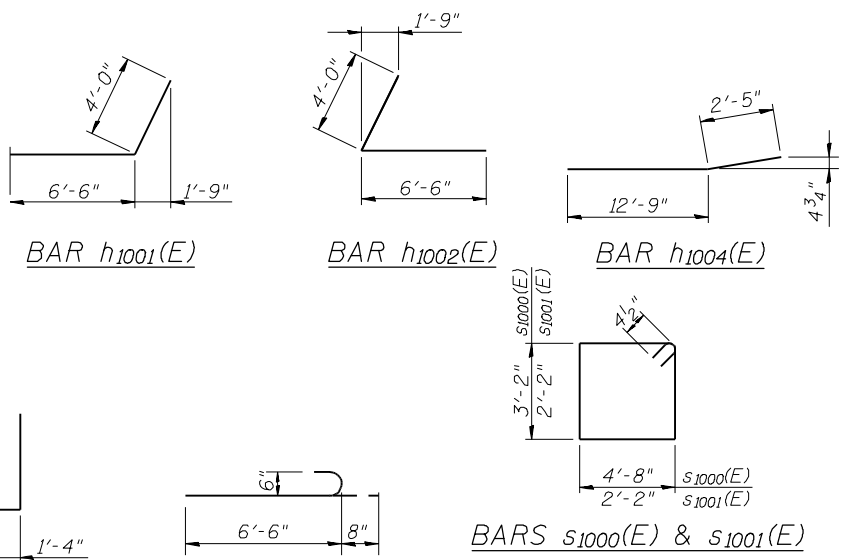
Cost of 3/4"φ Studs shall be included in item "Furnishing Steel Piles, HP14x73."

PILE DATA

Type: HP14x73 with Pile Shoes
 Nominal Required Bearing: 578 kips
 Factored Resistance Available: 318 kips
 Est. Length: 137 ft.
 No. Production Piles: 10
 No. Test Piles: 1



TOP VIEW



NOTES

Top of backwall shall conform to longitudinal grade and cross slope of roadway.
 Pour steps monolithically with cap.
 Space reinforcement in cap to miss anchor bolts.
 Concrete Sealer should be applied to the designated areas of the abutment shown on sheet C41.
 All edges shall have a standard 3/4" chamfer except as noted.
 For details of Bar Splicers, see sheet C50.
 For details of piles, see sheet C51.
 Abutment piles installed through MSE Wall fill shall be fitted with corrugated pipe sleeves prior to MSE Wall fill placement. Sleeves shall be filled with sand after pile installation. Cost of the corrugated pipe sleeves is included with the cost of Mechanically Stabilized Earth Retaining Wall.

SOUTH ABUTMENT - S.B. BILL OF MATERIAL

Bar	No.	Size	Length	Shape
h1000(E)	10	#5	42'-0"	—
h1001(E)	12	#5	10'-6"	—
h1002(E)	12	#5	10'-6"	—
h1003(E)	12	#4	15'-11"	—
h1004(E)	18	#4	15'-2"	—
h1005(E)	5	#6	42'-0"	—
h1006(E)	12	#4	14'-5"	—
h1007(E)	3	#4	15'-4"	—
h1008(E)	3	#4	15'-0"	—
n1000(E)	26	#6	13'-0"	—
n1001(E)	12	#6	7'-2"	—
p1000(E)	12	#7	45'-5"	—
p1001(E)	12	#7	17'-2"	—
s1000(E)	68	#4	16'-5"	—
s1001(E)	32	#4	9'-5"	—
u1000(E)	8	#6	14'-1"	—
u1001(E)	2	#4	11'-6"	—
u1002(E)	2	#4	8'-8"	—
u1003(E)	2	#4	5'-6"	—
v1000(E)	43	#5	3'-9"	—
v1001(E)	43	#4	3'-4"	—
v1002(E)	32	#6	9'-2"	—
v1003(E)	6	#6	8'-7"	—
v1004(E)	26	#6	9'-3"	—
v1005(E)	86	#5	7'-3"	—
Concrete Structures		Cu. Yd.	62.9	
Reinforcement Bars, Epoxy Coated		Pound	6620	
Furnishing - Piles, HP14x73		Foot	1370.0	
Driving Piles		Foot	1370.0	
Test Pile, HP14x73		Each	1	
Concrete Sealer		Sq. Ft.	407	



USER NAME =	DESIGNED - N. KHATRI	REVISED -
PLOT DATE = 17-OCT-2012	CHECKED - S. HENNING	REVISED -
	DRAWN - C. SALLADE	REVISED -
	CHECKED - J. SMITH	REVISED -

STATE OF ILLINOIS DEPARTMENT OF TRANSPORTATION

SOUTH ABUTMENT - S.B. STRUCTURE NO. 082-0334 (N.B.) & 082-0335 (S.B.)

F.A.P. RTE.	SECTION	COUNTY	TOTAL SHEETS	SHEET NO.
788	520-1-2HVB	ST. CLAIR	237	97
CONTRACT NO. 76848				

SHEET NO. C40 OF 76 SHEETS

ILLINOIS FED. AID PROJECT