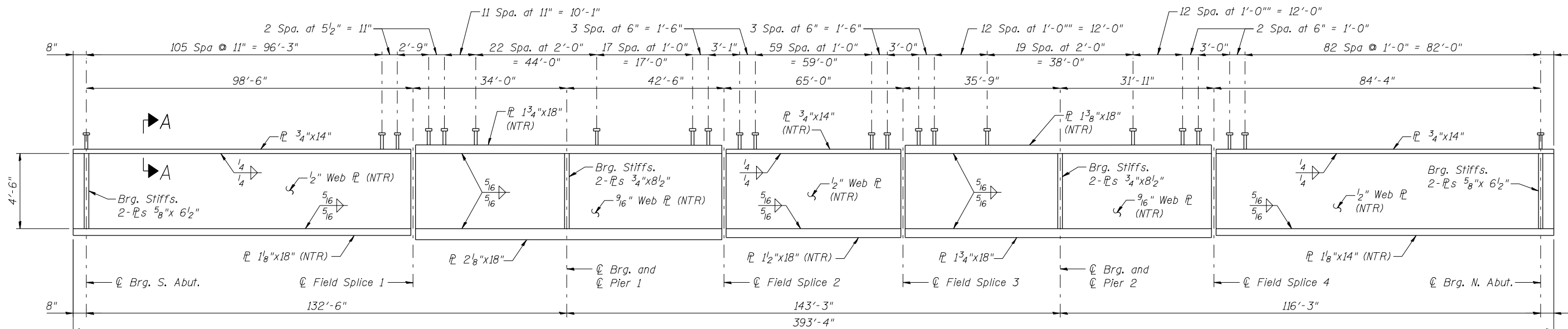
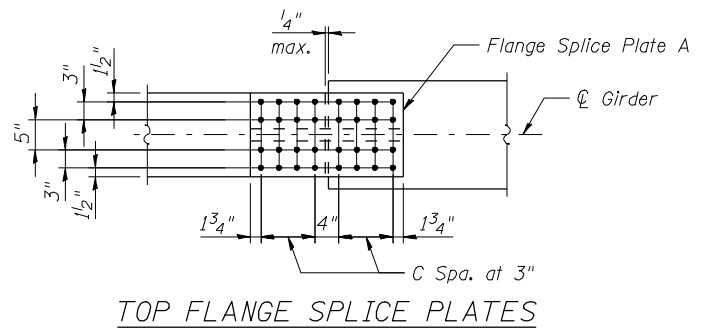


17-OCT-2012 16:28 P:\CX31000\100cadd\1095tr\FINAL PLANS\0820334-76848-030-Girder\_Details(NB).dgn

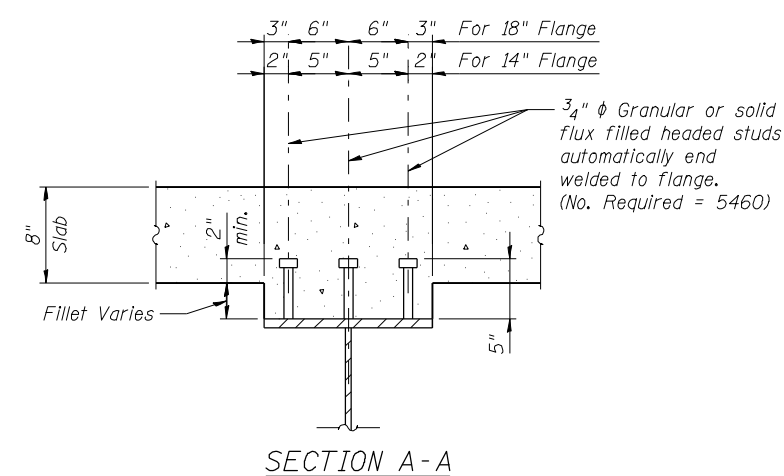


**GIRDER ELEVATION**

"NTR" denotes plates that shall conform to the supplemental requirements for Notch Toughness, Zone 2.



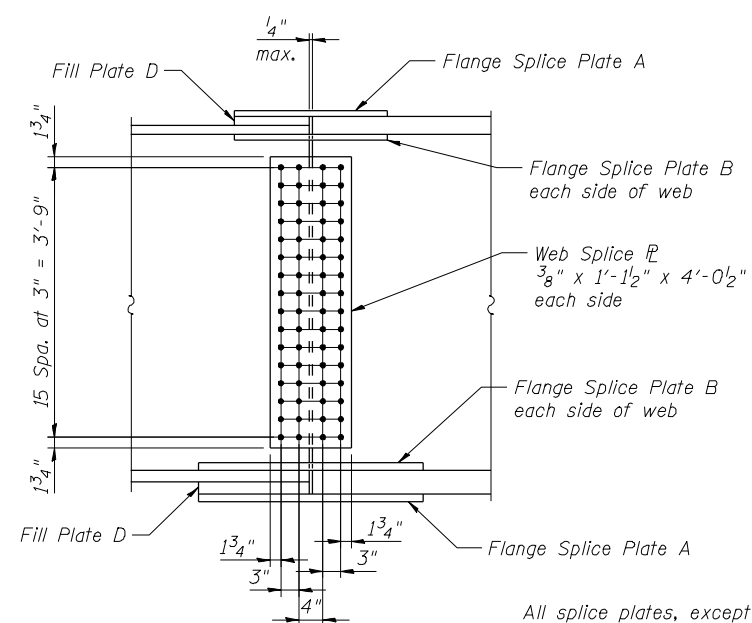
**TOP FLANGE SPLICE PLATES**



**SECTION A-A**

Splice No.	Top Flange Splice			
	Plate A	Plate B	Fill Plate D	C Spaces
1	1/2" x 1'-2" x 2'-1 1/2"	5/8" x 6" x 2'-1 1/2"	1" x 1'-2" x 1'-0 5/8"	3
2	1/2" x 1'-2" x 2'-1 1/2"	5/8" x 6" x 2'-1 1/2"	1" x 1'-2" x 1'-0 5/8"	3
3	1/2" x 1'-2" x 2'-1 1/2"	5/8" x 6" x 2'-1 1/2"	5/8" x 1'-2" x 1'-0 5/8"	3
4	1/2" x 1'-2" x 2'-1 1/2"	5/8" x 6" x 2'-1 1/2"	5/8" x 1'-2" x 1'-0 5/8"	3
Splice No.	Bottom Flange Splice			
	Plate A	Plate B	Fill Plate D	C Spaces
1	5/8" x 1'-6" x 3'-7 1/2"	3/4" x 8" x 3'-7 1/2"	1" x 1'-6" x 1'-9 5/8"	6
2	3/4" x 1'-6" x 4'-1 1/2"	3/4" x 8" x 4'-1 1/2"	5/8" x 1'-6" x 2'-0 5/8"	7
3	3/4" x 1'-6" x 3'-7 1/2"	7/8" x 8" x 3'-7 1/2"	1/4" x 1'-6" x 1'-9 5/8"	6
4	1/2" x 1'-2" x 2'-7 1/2"	5/8" x 6" x 2'-7 1/2"	1/8" x 1'-2" x 1'-3 5/8"	4

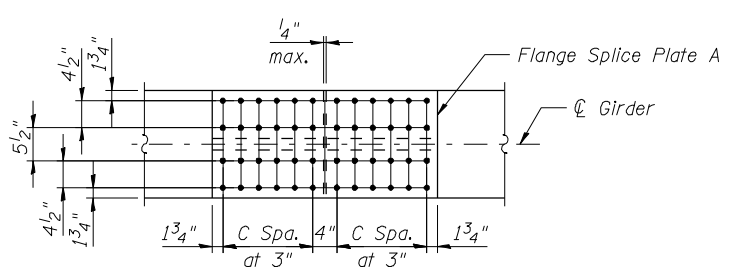
**TABLE OF FLANGE SPLICE VARIABLES**



**SPLICE DETAIL**

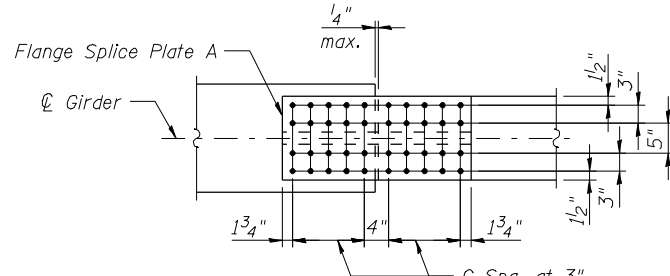
(20 Required)

All splice plates, except fill plates, shall conform to the supplemental requirements for Notch Toughness, Zone 2.



**BOTTOM FLANGE SPLICE PLATES**

(Field Splices 1, 2 and 3)



**BOTTOM FLANGE SPLICE PLATES**

(Field Splice 4)

Notes:  
 Structural steel shall conform to the requirements of AASHTO M270 Grade 50 except as noted.  
 All bolts are 7/8" phi ASTM A325 high strength bolts in 15/16" phi holes.



USER NAME =	DESIGNED - S. STEIB	REVISED -
PLOT DATE = 17-OCT-2012	CHECKED - R. RILEY	REVISED -
	DRAWN - E. KRACK	REVISED -
	CHECKED - J. SMITH	REVISED -

**STATE OF ILLINOIS  
DEPARTMENT OF TRANSPORTATION**

**GIRDER DETAILS - N.B.  
STRUCTURE NO. 082-0334 (N.B.) & 082-0335 (S.B.)**

F.A.P. RTE.	SECTION	COUNTY	TOTAL SHEETS	SHEET NO.
788	520-1-2HVB	ST. CLAIR	237	87
CONTRACT NO. 76848				

SHEET NO. C30 OF 76 SHEETS

ILLINOIS FED. AID PROJECT

FILE NAME = 0820334-76848-030-Girder\_Details(NB).dgn