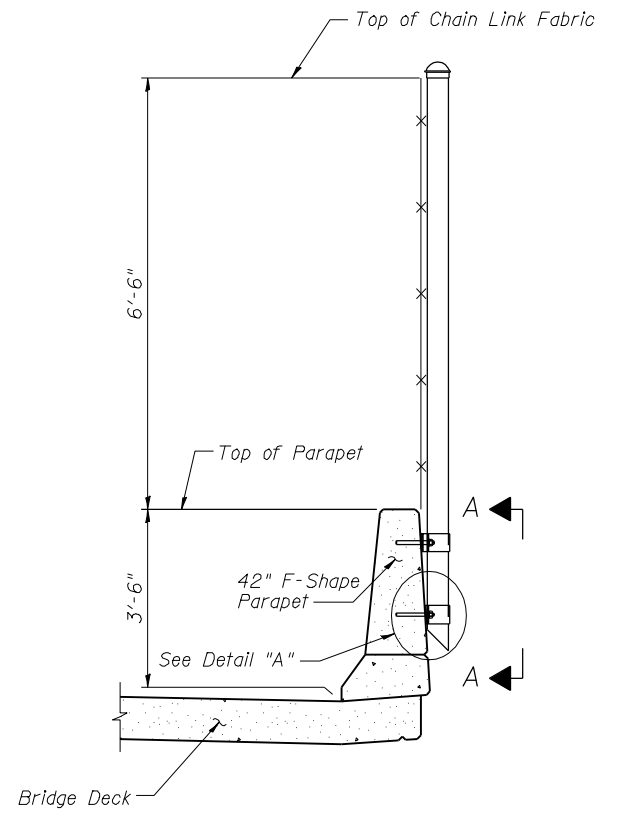
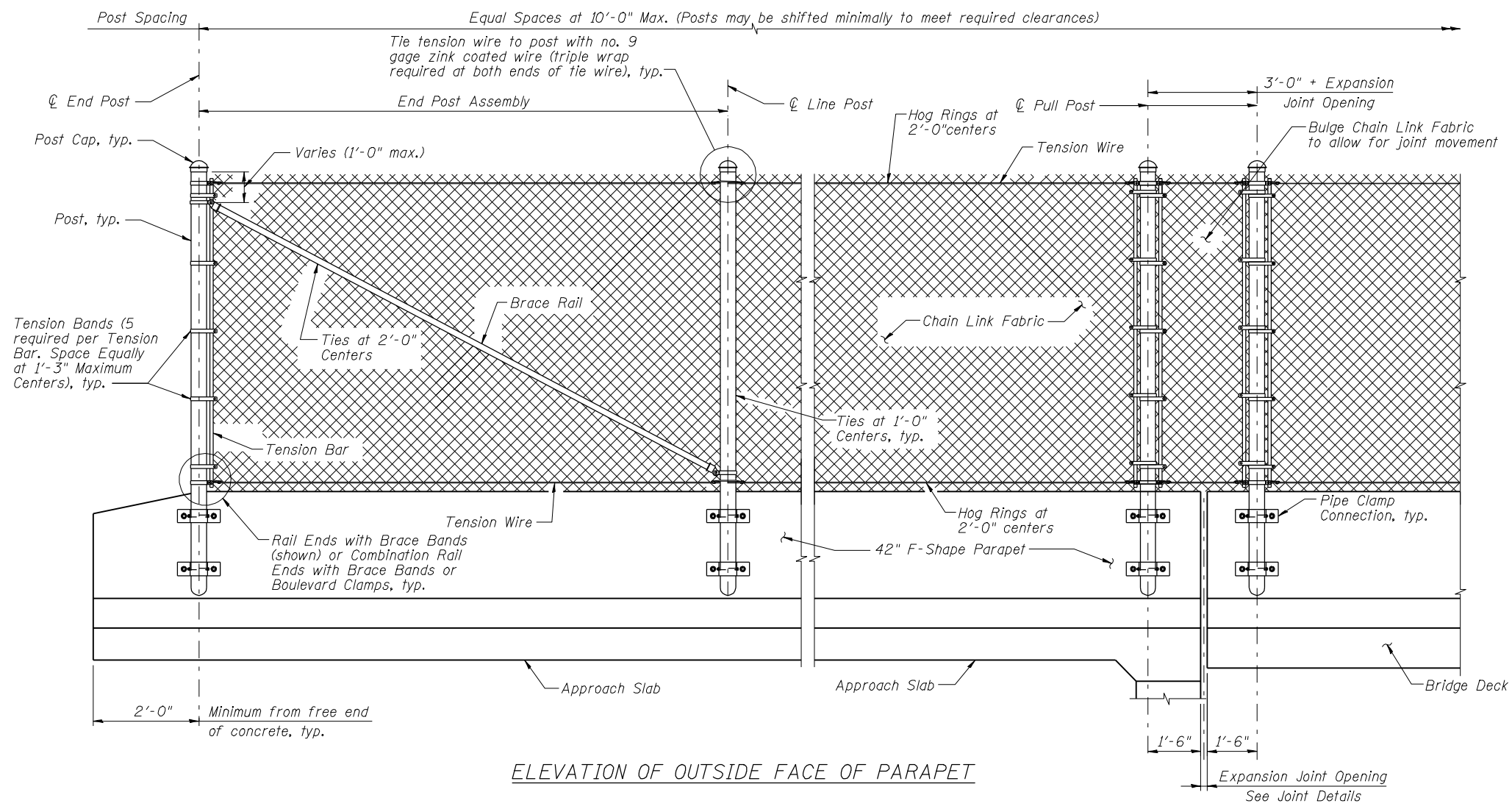


16:25 17-OCT-2012 P:\CX31000\100cadd\7095tr\FINAL PLANS\0820334-76848-020-Fence_Details.dgn



ELEVATION OF OUTSIDE FACE OF PARAPET

TYPICAL SECTION
For View A-A, see sheet C22.

FENCING NOTES

All work and materials shall be in accordance with Section 509, 664 and 1006.27 of the Standard Specifications.
 Install posts plumb (within a tolerance of $\pm 1/2$ ""). Use shim plates as required to achieve plumb. The required quantity and thickness of shim plates will be determined in the field. Install chain link fence in accordance with ASTM F 567 as applicable.
 Limits of fencing are from begin of parapet on approach slab at Begin Bridge to end of parapet on approach slab at End Bridge, unless otherwise shown in the plans.
 Payment will be made under Bridge Fence Railing. Payment includes posts, tension wire, ties, hog rings, brace rails and bands, rail ends, combination rail ends, boulevard clamps, chain link fabric, ties, tension bars and bands, post caps, pipe clamps, anchor rods, bolts, nuts, washers, shim plates, spacers, elastomeric pads, miscellaneous fence fittings and hardware and all incidental materials and labor required to complete installation of the fence.
 See sheets C18, C19, C37, C39, C41 and C43 for parapet details.
 For Table of Fence Components, Table of Post Attachment Components, View A-A and Detail "A" see sheet C22.
 For Pull Post Assembly Detail see sheet C21.



USER NAME =	DESIGNED - N. KHATRI	REVISED -
	CHECKED - R. RILEY	REVISED -
PLOT DATE = 17-OCT-2012	DRAWN - E. BAZZELL	REVISED -
	CHECKED - R. RILEY	REVISED -

STATE OF ILLINOIS
DEPARTMENT OF TRANSPORTATION

BRIDGE FENCE RAILING DETAILS
STRUCTURE NO. 082-0334 (N.B.) & 082-0335 (S.B.)

F.A.P. RTE.	SECTION	COUNTY	TOTAL SHEETS	SHEET NO.
788	520-1-2HVB	ST. CLAIR	237	77
CONTRACT NO. 76848				