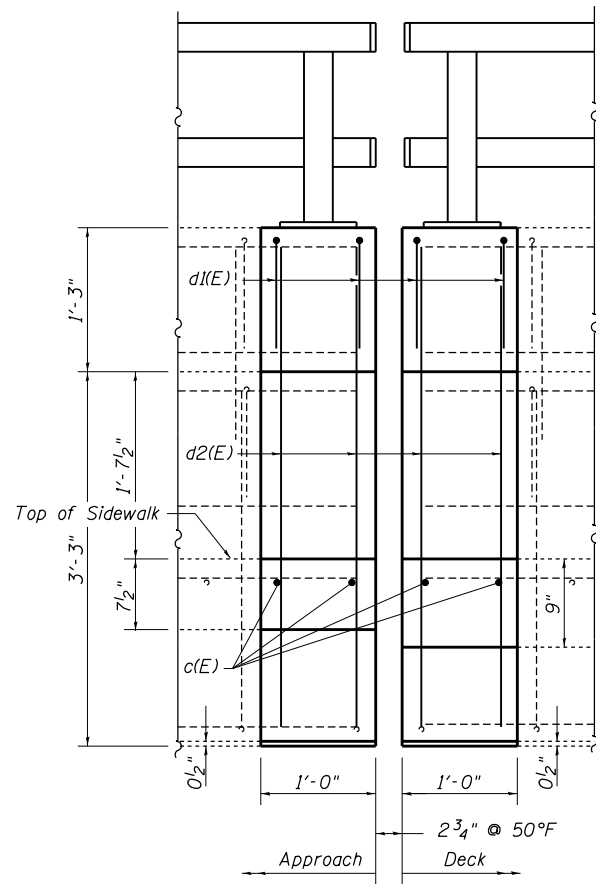
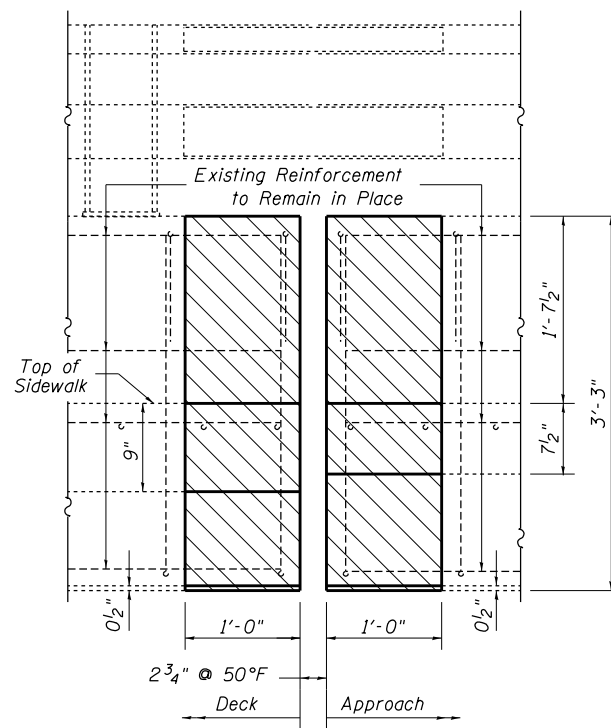


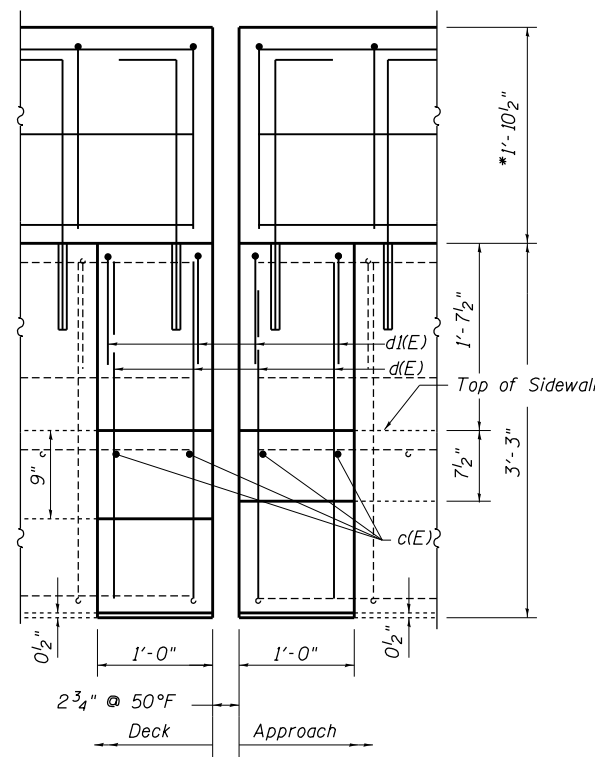
Section J-J



Section K-K



Section L-L

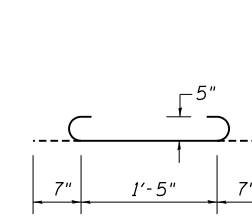


Section M-M

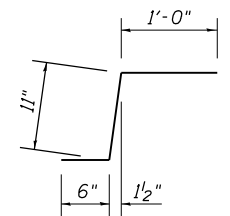
BILL OF MATERIAL

Longitudinal Joint

BAR	NUMBER OF BARS		TOTAL	SIZE	LENGTH	SHAPE	
	STAGE I	STAGE II					
a2(E)	22		22	#5	0'-9"	—	
a3(E)	330		330	#5	2'-2"	—	
a4(E)	330		330	#5	2'-7"	C	
b (E)	8		8	#5	18'-1"	—	
b1(E)	84		84	#5	27'-3"	—	
REINFORCEMENT BARS (EPOXY COATED)						POUND	4190
CONCRETE REMOVAL						CU YD	12.7
CONCRETE SUPERSTRUCTURE						CU YD	12.7



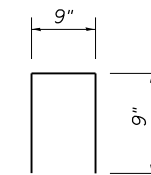
Bar a4(E)



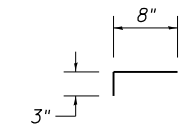
Bar c1(E)

- Existing Reinforcement
- Proposed Reinforcement

Hatching indicates Concrete Removal.



Bar d1(E)



Bar x(E)

* See sheet 12 of 17 for South Parapet Modification details.

BILL OF MATERIAL

PER ABUTMENT

BAR	NUMBER OF BARS		TOTAL	SIZE	LENGTH	SHAPE	
	STAGE I	STAGE II					
a (E)	4	4	8	#5	32'-10"	—	
a1(E)	6		6	#5	14'-6"	—	
a5(E)		6	6	#5	11'-5"	—	
c (E)	4	4	8	#6	9'-7"	—	
c1(E)	8	8	16	#5	2'-5"	J	
d (E)	4		4	#4	3'-0"	—	
d1(E)	4	4	8	#4	2'-3"	□	
d2(E)		4	4	#4	4'-3"	—	
x (E)	64	64	128	#5	0'-11"	┌	
REINFORCEMENT BARS (EPOXY COATED)						POUND	750
CONCRETE REMOVAL						CU YD	5.8
CONCRETE SUPERSTRUCTURE						CU YD	5.8