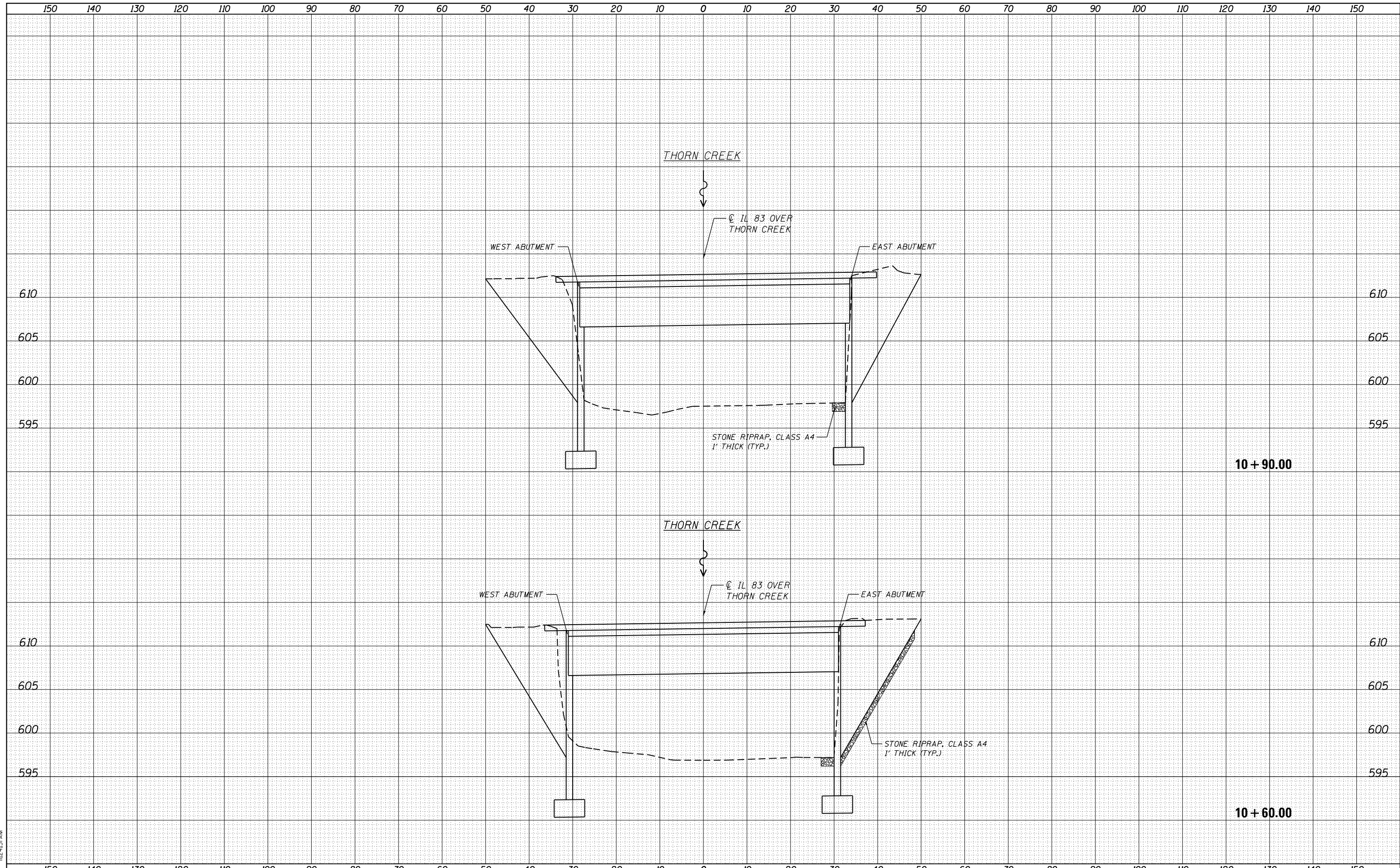


DATE	
BY	
FINAL SURVEY	SURVEYED
NOTE BOOK	PLOTTED
NO.	TEMPLATE
	AREAS
	CHECKED

DATE	
BY	
ORIGINAL SURVEY	SURVEYED
NOTE BOOK	PLOTTED
NO.	TEMPLATE
	AREAS
	CHECKED

H:\Jobs\2011\201102-25\CAD\Site\ dgn\Site.dgn\0151-5111-SN016-0623-XS.dgn  
3/12/2013 11:24:13 AM



<p>8501 N. Higgins Road Suite 280 Chicago, Illinois 60631 (773) 399-0112</p>	USER NAME = 1485	DESIGNED - EF	REVISED -	<p align="center"><b>STATE OF ILLINOIS</b> <b>DEPARTMENT OF TRANSPORTATION</b></p> <p align="center"><b>COOK &amp; WILL COUNTY RIP RAP IMPROVEMENTS</b> <b>SN 016-0623 VINCENNES ROAD OVER THORN CREEK - CROSS SECTIONS</b></p> <p>SCALE:      SHEET 1    OF 1    SHEETS    STA. 10+60.00    TO STA. 10+90.00</p>	F.A. RTÉ.	SECTION	COUNTY	TOTAL SHEETS	SHEET NO.
	PLOT SCALE = 20.0000' / in.	CHECKED - RS	REVISED -		• 2012-007 I	COOK/WILL	38	10	
	PLOT DATE = 3/12/2013	DATE - 03/20/2013	REVISED -		• VARIOUS ROUTES	CONTRACT NO. 60T53			
					ILLINOIS FED. AID PROJECT				