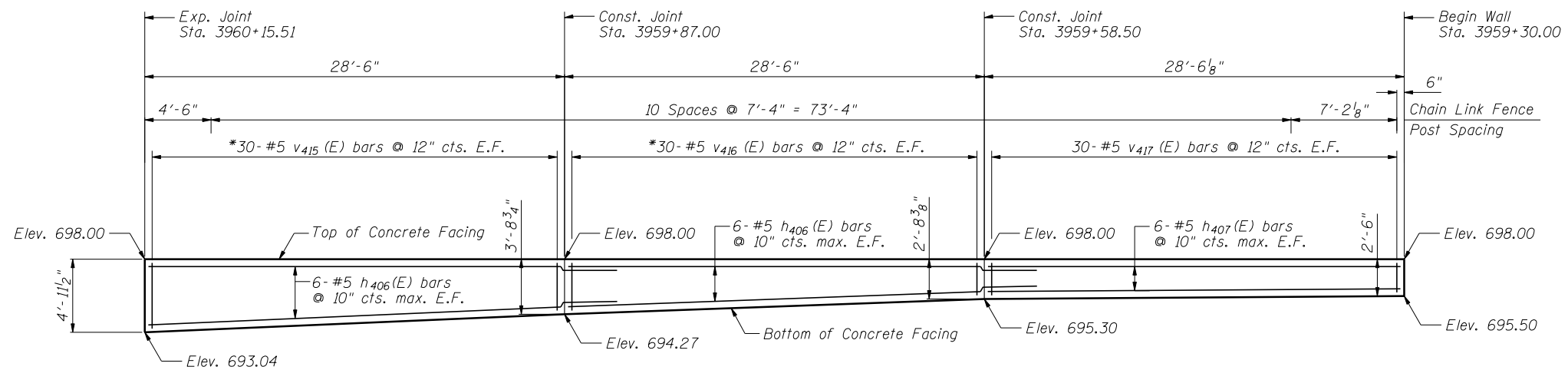


ELEVATION



ELEVATION

Notes:

Minimum lap for #5 bar is 3'-8".

Space reinforcement in wall to miss shear studs.

* signifies cut bar. Order per length on Bill of Material. Cut as shown in Cutting Diagram and use half of bars in each face.

See Sheet SB-11 for Concrete Facing Details and Bill of Material.

FILE NAME = ...60R30-W061-010-ConcreteFacing3.dgn



DESIGNED - LAS	REVISIONS
CHECKED - DAZ	REVISIONS
DRAWN - SAW	REVISIONS
CHECKED - LAS	REVISIONS
SCALE - NONE	
DATE - 12/14/2012	

STATE OF ILLINOIS
DEPARTMENT OF TRANSPORTATION

CONCRETE FACING 3
STA. 3959+30.00 TO STA. 3964+32.50 S.N. 022-W061

SHEET NO. SB-10 OF SB-17 SHEETS

F.A.P. RTE.	SECTION	COUNTY	TOTAL SHEETS	SHEET NO.
338	(112 & 113) WRS-7	DUPAGE	1156	869
CONTRACT NO. 60R30				

ILLINOIS FED. AID PROJECT