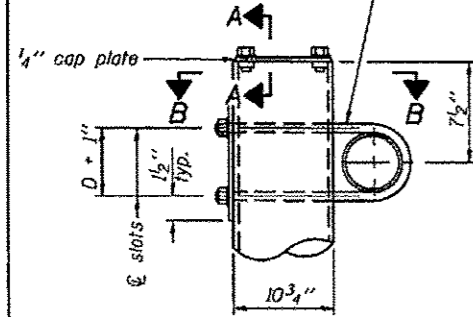
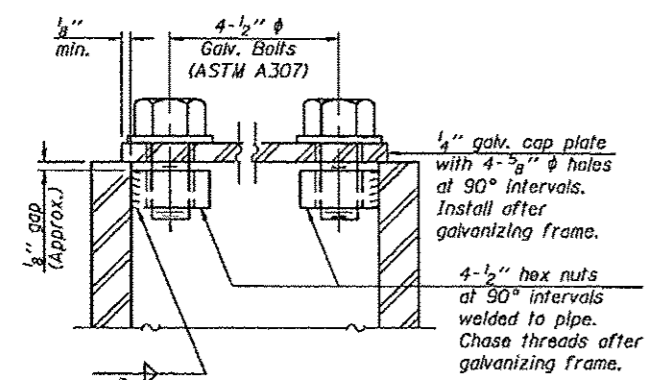


3/4" φ stainless steel U-bolt.
Provide two washers and two hexagon locknuts. (4)
1 1/2" x 2" slots on 10" φ pipe.
(4 slots required per pipe)

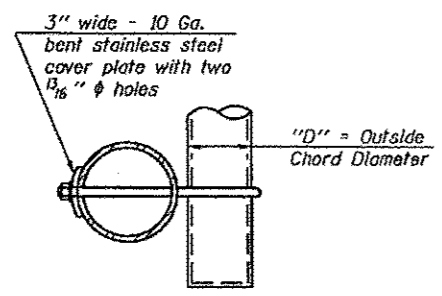


DETAIL A

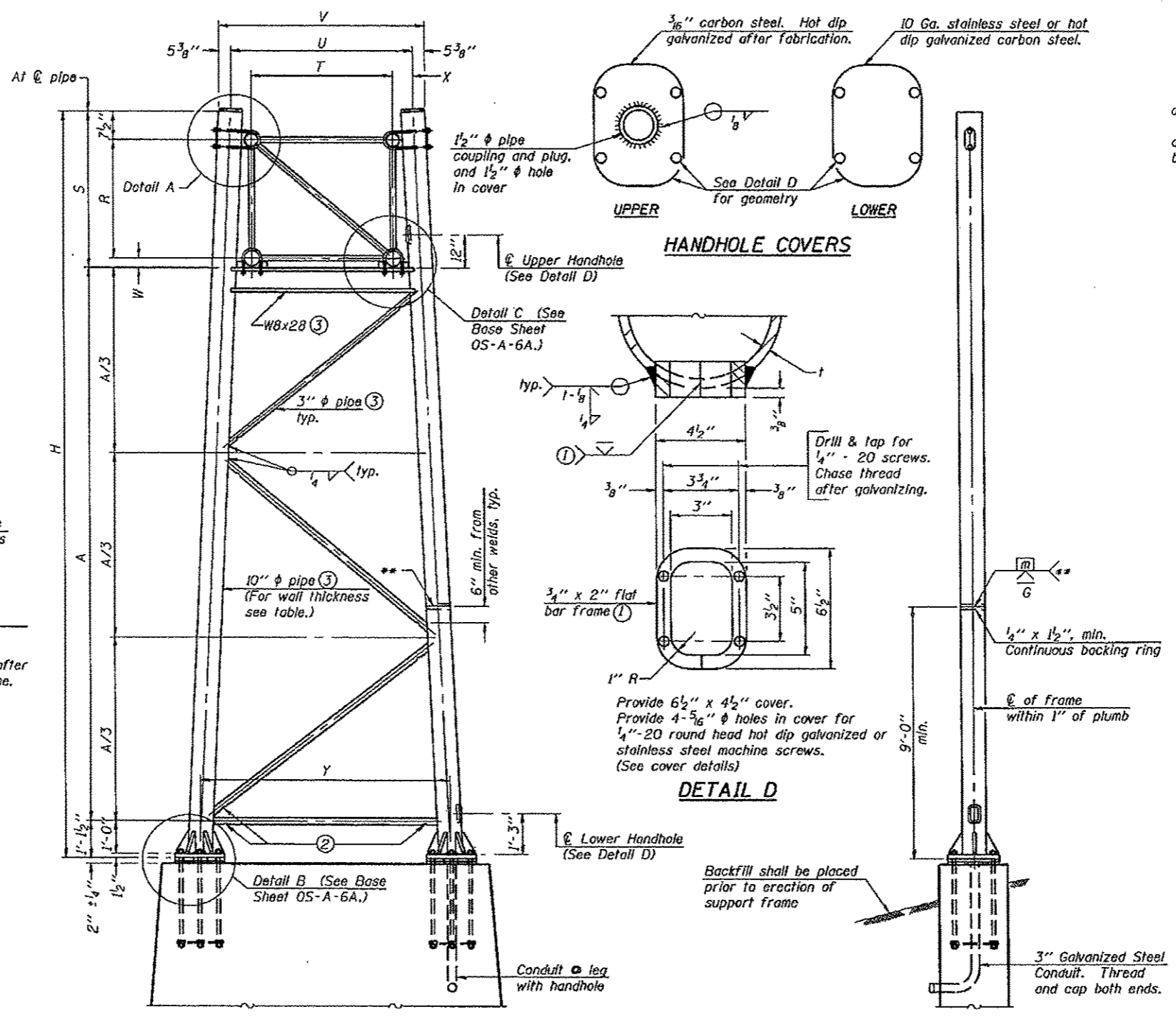


SECTION A-A

As an alternate to bolts, may use galvanized drive-fit caps installed after galvanizing frame.



SECTION B-B



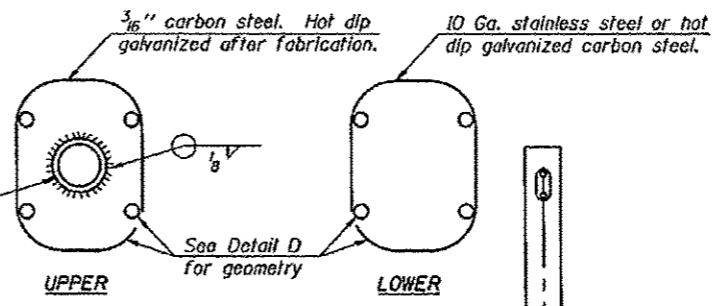
For Foundation Details, see base sheet OS-F3 (Spread Footing) or OS4-F3 (Drilled Shaft).

SIDE ELEVATION

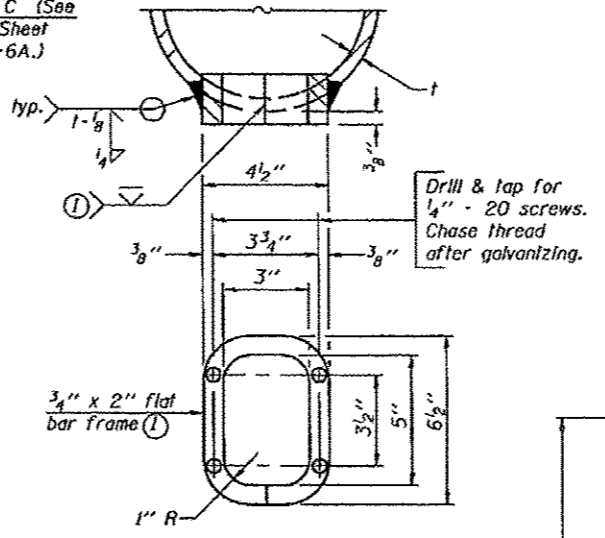
10" φ PIPE TRUSS SUPPORT FRAME

** One butt welded joint is allowed only on one post per support frame. If used, weld procedure must be pre-approved by Engineer and joint shall receive 100% RT or UT (tension criteria) at Contractor's expense.

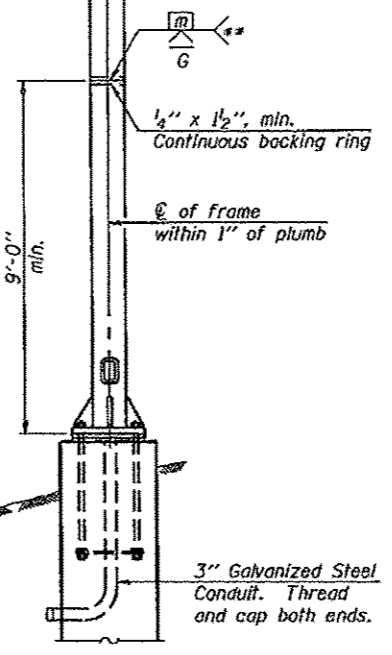
Truss Type	Dimensions							
	R	S	T	U	V	W	X	Y
I-A	4'-6"	5'-5 1/2"	4'-0"	5'-6"	6'-4 3/4"	4"	9"	8'-3"
II-A (6)	5'-3"	6'-3 1/4"	4'-6"	6'-1"	6'-11 3/4"	4 3/4"	9 1/2"	8'-3"



HANDHOLE COVERS



DETAIL D



END ELEVATION

Support Design Loads: See Base Sheet OS-A-1 for design and loading criteria.
Load combinations checked include deadload plus:
a) 100% wind normal to sign, 20% parallel to sign
b) 60% wind normal to sign, 30% parallel to sign

- In lieu of fabricated handhole frame as shown, may cut from 2" plate (rolling direction vertical). All cut faces to be ground to ANSI Roughness of 500 μin or less.
- Galvanizing vent holes of adequate size shall be provided on underside at each end of bracing pipes. Alternately, holes may be provided in wall of pipe column. All vent holes shall be drilled and de-burred, typ.
- Steel pipe, plate, carbon steel handhole covers and rolled sections shall be hot dip galvanized after fabrication. Painting is not permitted. See Base Sheet OS-A-1.
- See General Notes for fasteners.
- Dimensions shown are based on selection criteria in the Sign Structures Manual. Nonstandard applications must have dimensions verified or amended as appropriate.
- "H" based on 15'-0" or actual sign height, whichever is greater.

Structure Number	Station	Support		Truss Type	Pipe Wall Thickness	H (6)	A
		Left	Right				
9S0441057R042.3	47+75		X	I-A	0.365	31.70'	25.12'
9S0441057R042.3	47+75	X		I-A	0.365	28.38'	21.80'
9S1001024L001.1	27+45		X	II-A	0.500	31.85'	24.46'
9S1001024L001.1	27+45	X		II-A	0.500	29.93'	22.54'
9S1001024L001.5	118+50		X	I-A	0.365	32.89'	26.31'
9S1001024L001.5	118+50	X		I-A	0.365	29.85'	23.27'

OS-A-6

6-1-12

FILE NAME *	USER NAME *	DESIGNED -	REVISED -
cr:\pwork\p\p\os-a-6\os-a-6.dgn	pritchett	-	-
	gn_2813-shr.pln.dgn	DRAWN -	REVISED -
		-	-
	PLOT SCALE = 1/8" = 1'-0"	CHECKED -	REVISED -
		-	-
	PLOT DATE = 2/20/2013	DATE -	REVISED -
		-	-

STATE OF ILLINOIS
DEPARTMENT OF TRANSPORTATION

OVERHEAD SIGN STRUCTURES
SUPPORT FRAME FOR ALUMINUM TRUSS

*VARIOUS ROUTES			
P.A.I. RTE.	SECTION	COUNTY	TOTAL SHEETS
09 OVD SIN STR REPL13-11		VARIOUS	29
		CONTRACT NO.	46227
SCALE:		SHEET OF SHEETS STA. TO STA.	
ILLINOIS FED. AID PROJECT			