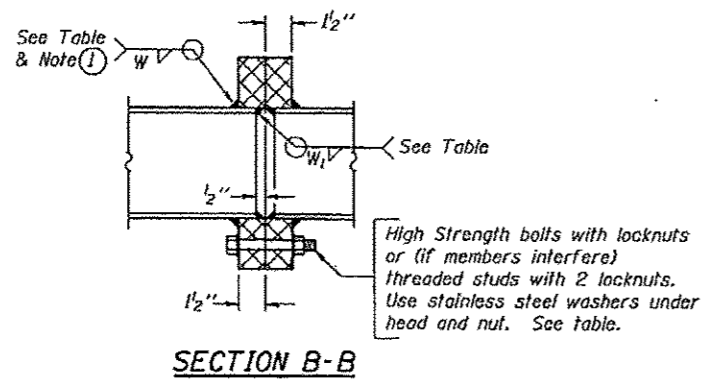
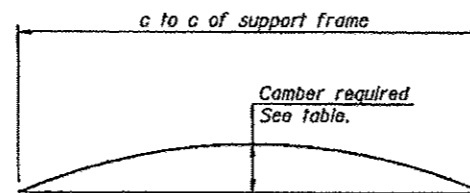
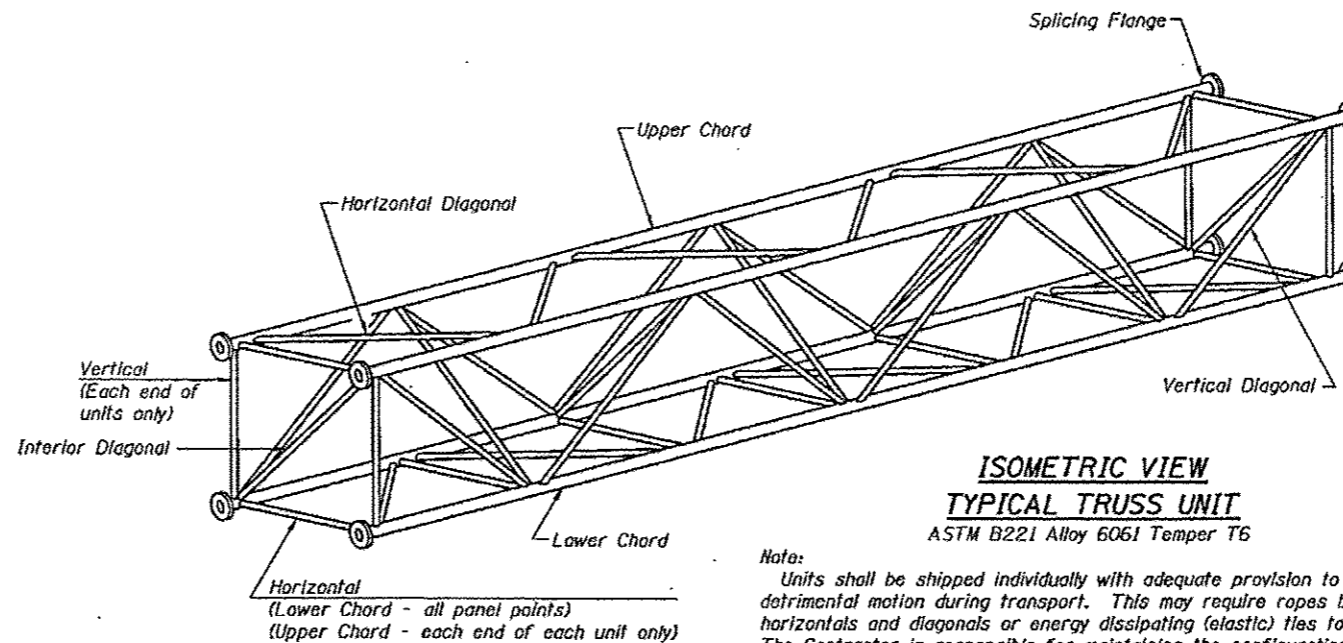


**TRUSS UNIT TABLE**

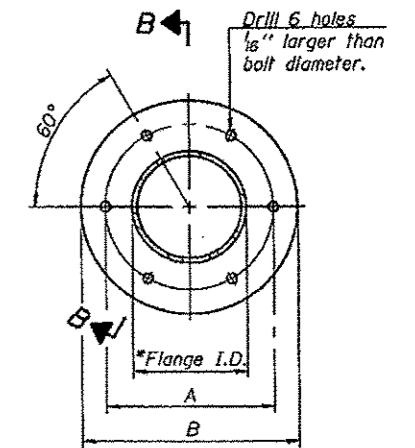
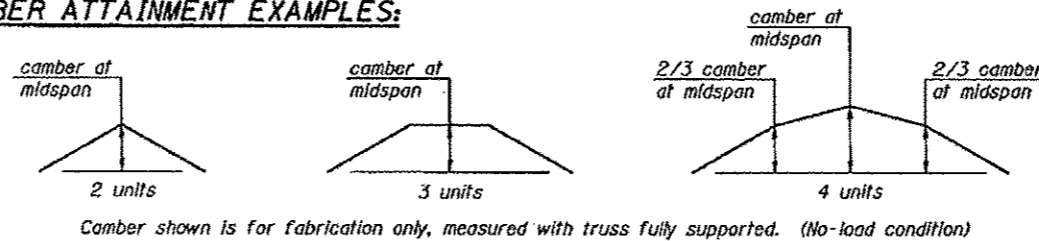
Structure Number	Station	Design Truss Type	Exterior Units (2)			Interior Unit			Upper & Lower Chord		Verticals; Horizontals; Vertical, Horizontal, and Interior Diagonals		Camber at Midspan	Splicing Flange						
			No. Panels per Unit	Unit Lgth.(L <sub>u</sub> )	Panel Lgth.(P)	No. Req'd.	No. Panels per Unit	Unit Lgth.(L <sub>i</sub> )	Panel Lgth.(P)	O.D.	Wall	O.D.		Wall	No./Splice	Bolts Dia.	Weld Sizes W	W <sub>1</sub>	A	B
9S0441057R042.3	47+75	I-A	6	30'-1 1/2"	4'-8 1/2"	1	6	29'-6"	4'-8 1/2"	5"	5/16"	2 1/2"	5/16"	2.65"	6	7/8"	5/16"	1/4"	8 3/4"	11 3/4"
9S1001024L001.1	27+45	II-A	7	36'-8 3/4"	4'-11 3/4"	1	6	31'-1 1/2"	4'-11 3/4"	6 1/2"	5/16"	3"	5/16"	3.25"	6	1"	3/8"	1/4"	11"	14 1/2"
9S1001024L001.5	118+50	I-A	6	30'-1 1/2"	4'-8 1/2"	1	6	29'-6"	4'-8 1/2"	5"	5/16"	2 1/2"	5/16"	2.65"	6	7/8"	5/16"	1/4"	8 3/4"	11 3/4"



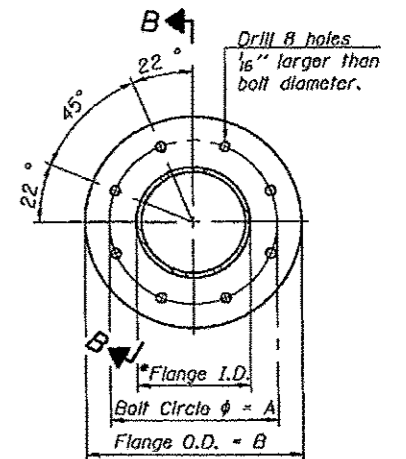
① Splicing Flanges shall be attached to each truss unit with the truss shop assembled to camber shown. Truss units shall be in proper alignment and flange surfaces shall be shop bolted into full contact before welding. Sufficient external welds or lags shall be made to secure flanges until remaining welds are made after disassembly. Adjacent flanges shall be "match marked" to insure proper field assembly.



**CAMBER ATTAINMENT EXAMPLES:**



**TRUSS TYPES I-A, II-A, & III-A**



**TRUSS TYPES II-A & III-A**

**SPLICING FLANGES**

ASTM B221, Alloy 6061-T6  
or ASTM B209, Alloy 6061-T651  
\*To fit O.D. of Chord with maximum gap of 1/16"

OS4-A-2

6-1-12

FILE NAME *	USER NAME * prtohetll	DESIGNED --	REVISED --	STATE OF ILLINOIS DEPARTMENT OF TRANSPORTATION	OVERHEAD SIGN STRUCTURES - ALUMINUM TRUSS DETAILS FOR TRUSS TYPES I-A, II-A AND III-A	*VARIOUS ROUTES		F.A.I. RTE.	SECTION	COUNTY	TOTAL SHEETS	SHEET NO.
ca\pwwork\pwwork\prtohetll\d0334284\	gn_structur2813-ah:pln.dgn	DRAWN --	REVISED --			• 09 QVD SIN STR REPL13-11	VARIOUS	29	10			
Default	PLDT SCALE * 1/8"=1'-0" / in.	CHECKED --	REVISED --			CONTRACT NO. 46227						
	PLDT DATE * 2/26/2013	DATE --	REVISED --			SCALE:	SHEET	OF	SHEETS	STA.	TO STA.	ILLINOIS FED. AID PROJECT