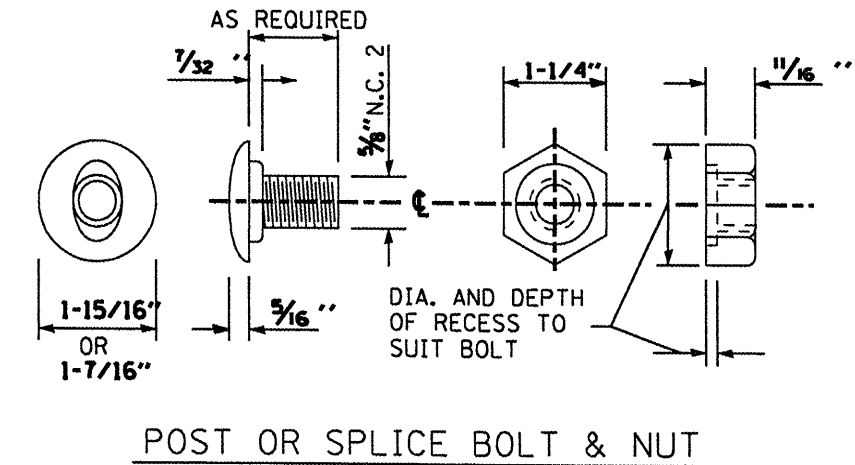
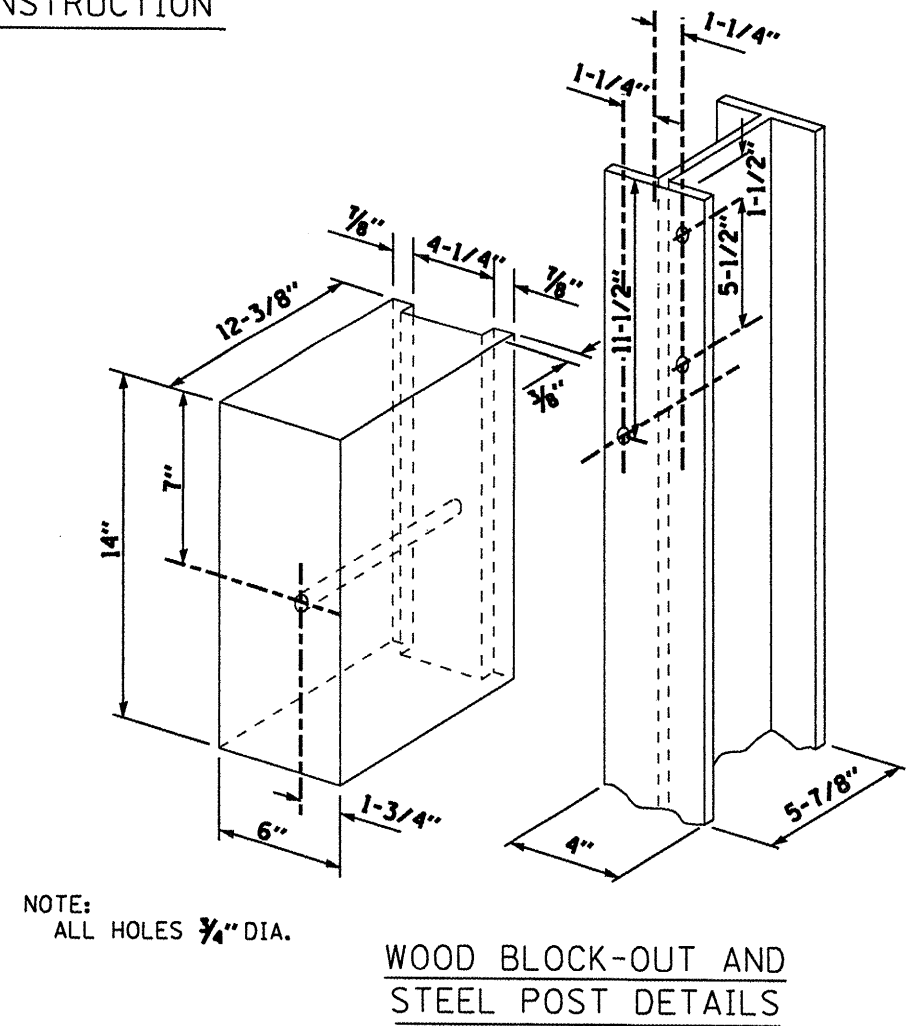
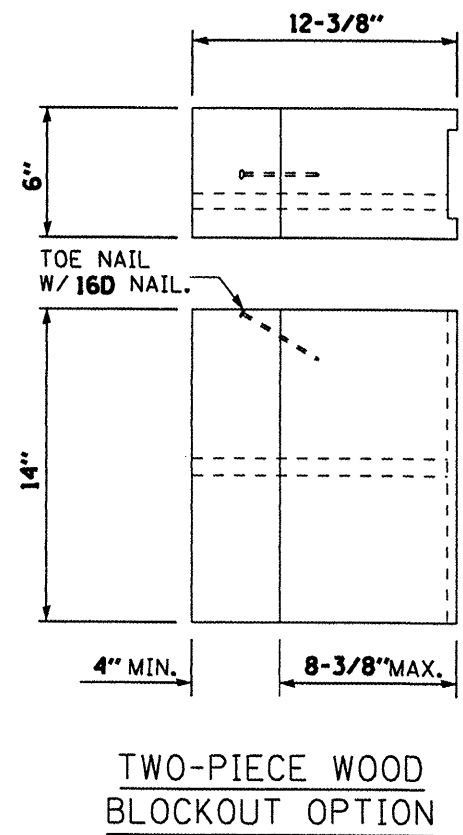
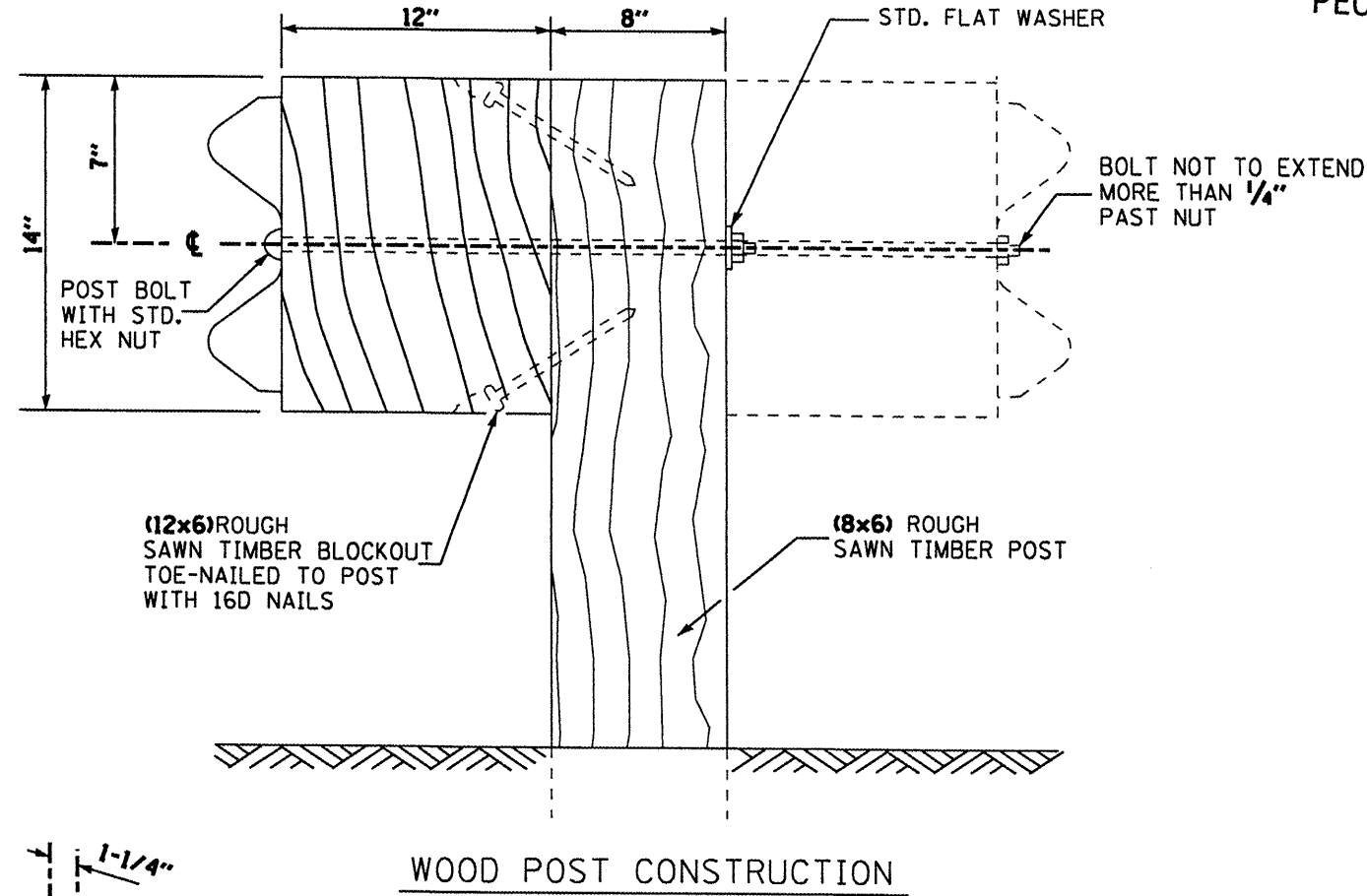
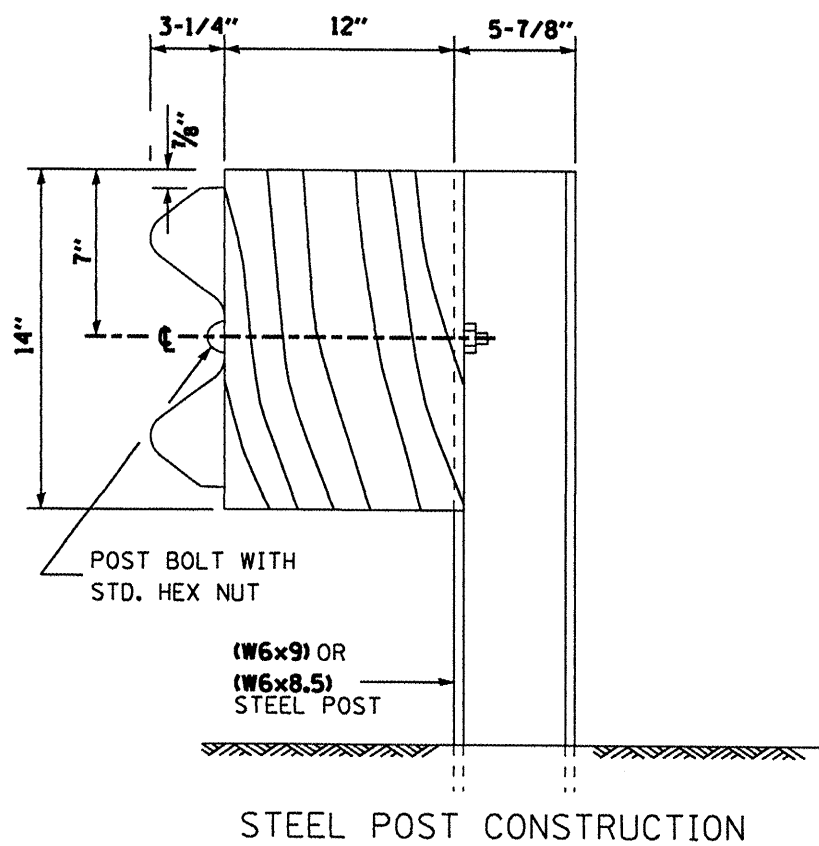


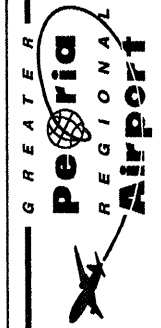
PE086


REVISIONS		
NUMBER	BY	DATE

0 1 2
THIS BAR IS EQUAL TO 2" AT FULL SCALE (34x22). PLOT 1



STEEL PLATE BEAM
GUARDRAIL
(SHEET 2 OF 2)


 CONSTRUCT NEW PERIMETER ROAD AND PERIMETER FENCE - PROJECT 1


CMT
 CRAWFORD, MURPHY & TILLY, INC.
 CONSULTING ENGINEERS

IL PROJECT: PIA-3343
AIP PROJ: 3-17-0080-XX

FILE: ... \208-630001-07_SteelPlateBeam

DESIGN BY: TWM, RBL
DRAWN BY: CAG
CHECKED BY: RBL
APPROVED BY: CET
DATE: DECEMBER 10, 2007
JOB No: 0706104

GUARDRAIL DETAIL
SHEET 2 OF 2
SHEET 34 OF 140 SHEETS